

2

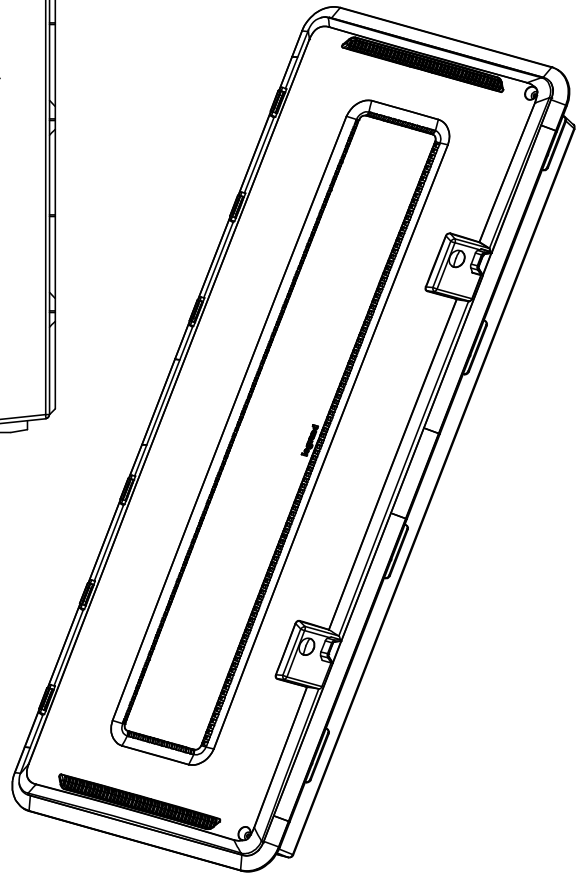
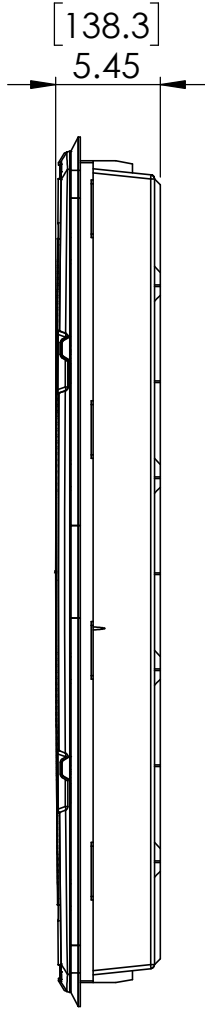
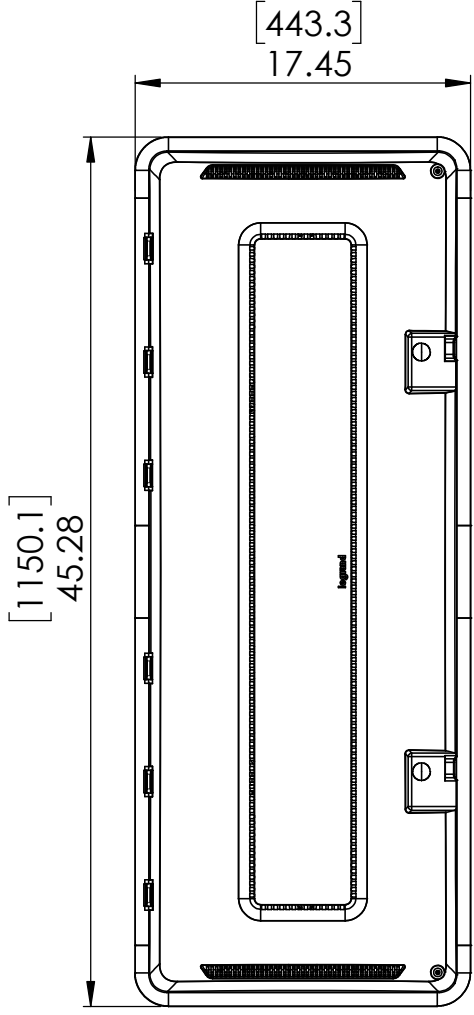
1

B

B

A

A



DIMENSIONS ARE IN INCHES UNLESS OTHERWISE SPECIFIED	
TOLERANCES	
2 PLACE DECIMAL	± .02
3 PLACE DECIMAL	± .005
4 PLACE DECIMAL	± .0005
ANGULAR	± 30'
MATERIAL	PROPRIETARY AND CONFIDENTIAL THE INFORMATION CONTAINED IN THIS DRAWING IS THE SOLE PROPERTY OF OnQ/LEGRAND. ANY REPRODUCTION IN PART OR AS A WHOLE WITHOUT THE WRITTEN PERMISSION OF OnQ/LEGRAND IS PROHIBITED.
FINISH	
WEIGHT	
DRAWING IS 3RD ANGLE PROJECTION DO NOT SCALE DRAWING	

DRAWN	-	DATE	-
APPROVED	-	DATE	-

legrand P.O. Box 60907
Harrisburg, PA 17106-0907
1-800-321-2343

DESCRIPTION:

42" SWE

SIZE	DWG NO	REV
A	ENP4250-NA	A
SCALE	SURFACE AREA	SHEET
1:10		1 OF 1

2

1