

2

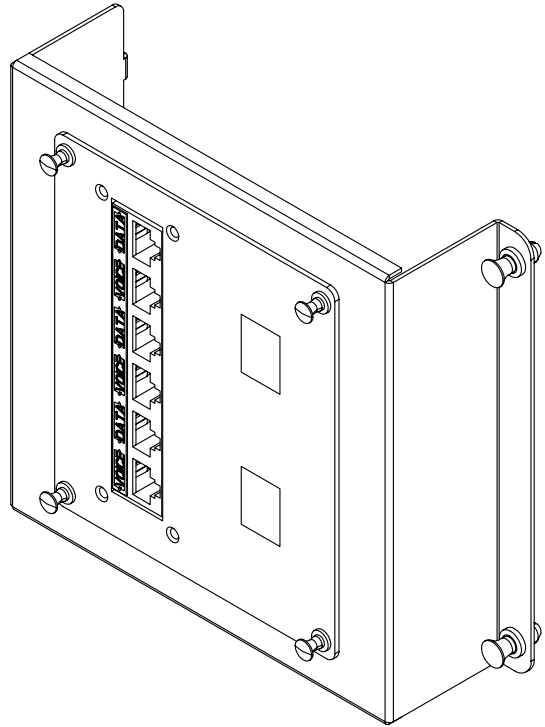
1

NOTES:

- 1. 110 TO RJ45 CONNECTION
- 2. TERMINATION STANDARD: T568A

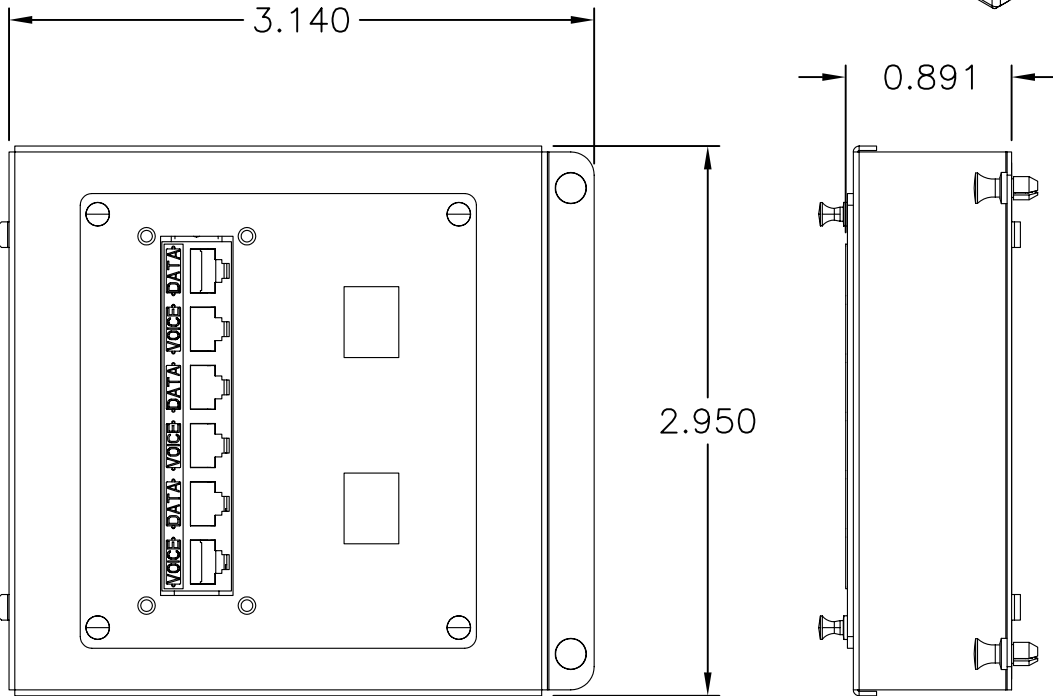
B

B



A

A



PROPRIETARY AND CONFIDENTIAL
 THE INFORMATION CONTAINED
 IN THIS DRAWING IS THE SOLE
 PROPERTY OF On-Q/LEGRAND.
 ANY REPRODUCTION IN PART OR
 AS A WHOLE WITHOUT THE WRITTEN
 PERMISSION OF On-Q/LEGRAND
 IS PROHIBITED. DRAWING IS SUBJECT
 TO CHANGE WITHOUT NOTICE.

On·Q

legrand

P.O. Box 60907
 Middletown, PA 17106-0907
 1-800-321-2343

TITLE:

**6-PORT CAT6 NETWORK INTERFACE
 MODULE W/ 2 KEYSTONE OPENINGS**

SIZE A	DWG NO AC1013	FILE NAME CD-AC1013	CUST REV 1
REVISED DATE 1/24/08	SCALE NONE	SHEET 1 OF 1	

2

1