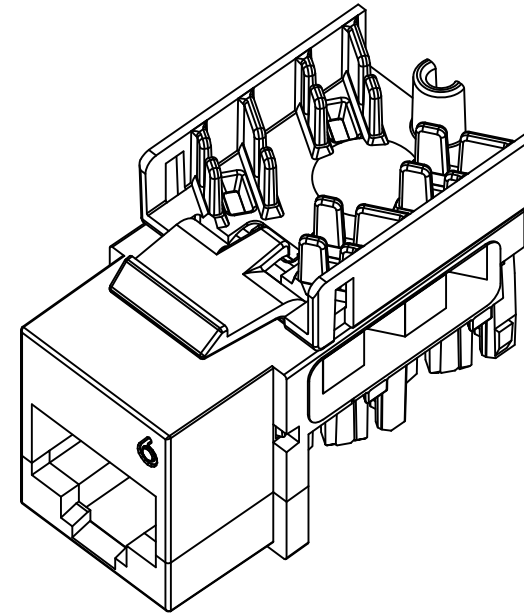
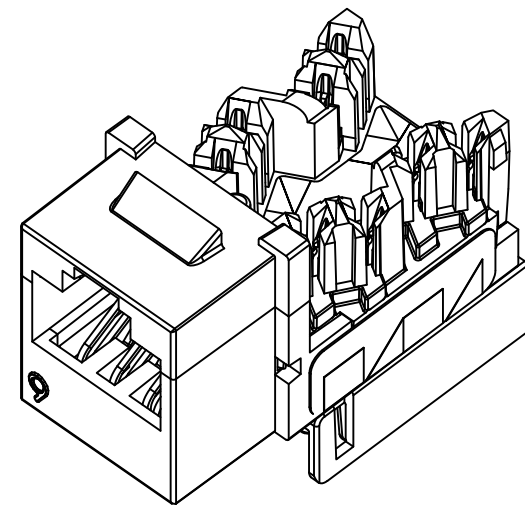
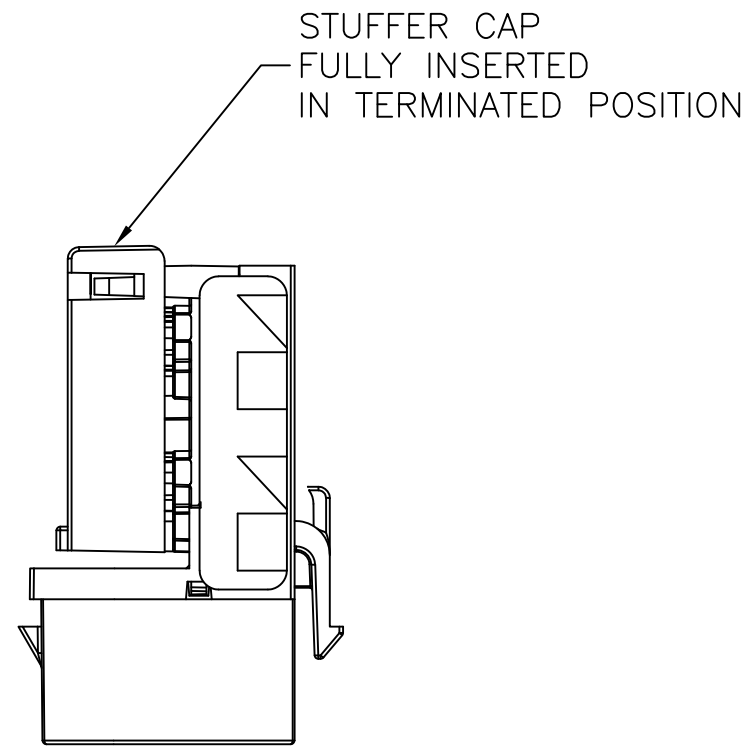
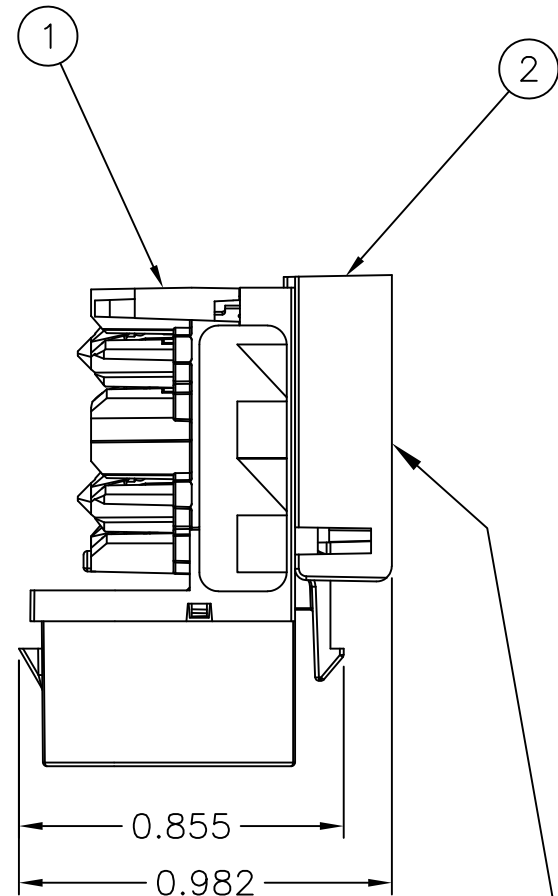
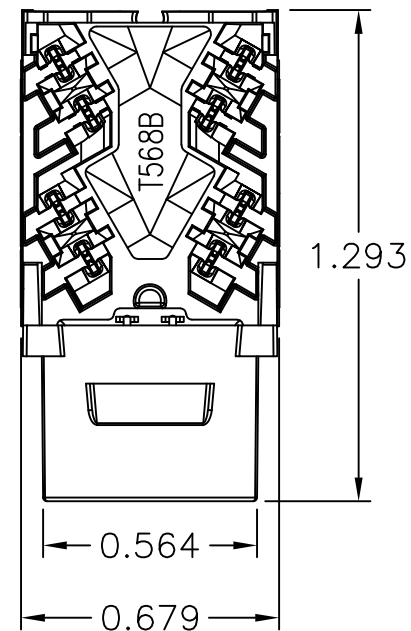


ITEM NO.	DESCRIPTION	QTY.
1	netSELECT NSJ6 SERIES JACKS	1
2	STUFFER CAP	1

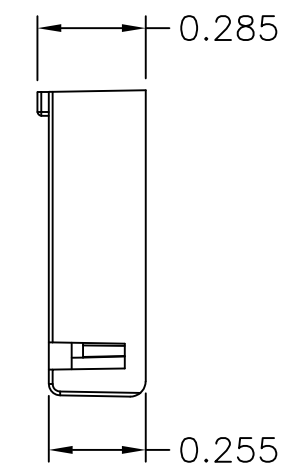
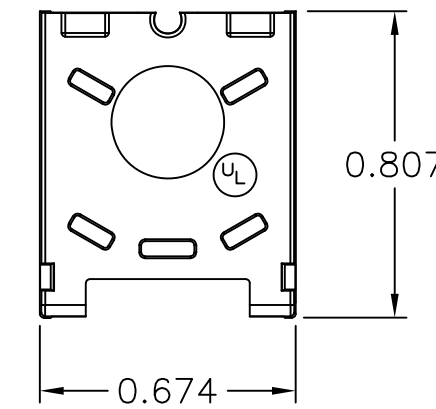
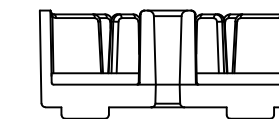
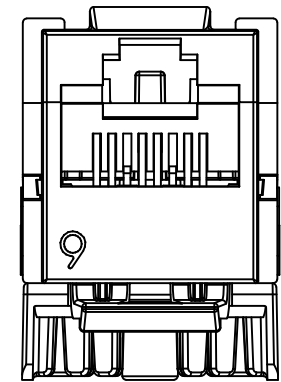
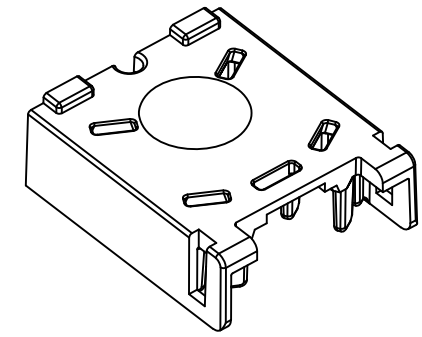
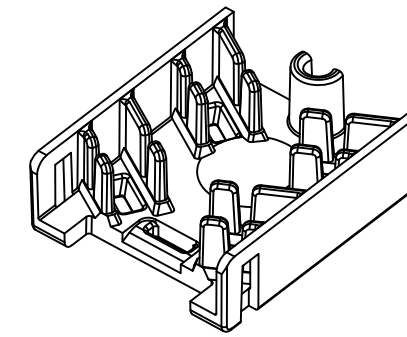


CATALOG SERIES AS FOLLOWS:
 "xx" = COLOR, SEE TABLE
 25 PACK: NSJ6xx25
 24 PACK: NSJ6xx24
 SINGLE PACK: NSJ6xx

COLOR	"XX"	LASER MARKING
BLUE	B	N6B
BLACK	BK	N6BK
ELECTRIC IVORY	EI	N6EI
GRAY	GY	N6GY
OFFICE WHITE	OW	N6OW
ORANGE	OR	N6OR
YELLOW	Y	N6Y
ALMOND	AL	N6AL
LIGHT ALMOND	LA	N6OW
RED	R	N6R
ORANGE	OR	N6OR
GREEN	GN	N6GN



STUFFER CAP FULLY INSERTED IN PRETERMINATION POSITION



NOTES

UNLESS OTHERWISE SPECIFIED:

1. UL LISTED: E129878
2. CSA CERTIFIED: LR 80837
3. NOSE CONTACTS ARE BERYLLIUM COPPER WITH 50 MICRO INCH GOLD PLATING IN MATING AREA
4. IDC CONTACTS ARE TIN PLATED
5. ALL CONTACTS ARE UNDERPLATED IN NICKEL
6. SPECIFICATIONS SUBJECT TO CHANGE WITHOUT NOTICE

Created on AUTOCAD

DIMENSIONING AND TOLERANCE PER ANSI Y14.5M-1982
 UNLESS OTHERWISE SPECIFIED, DIMENSIONS ARE IN INCHES (MM).
 TOLERANCES
 .XX = ±.01 (.25)
 .XXX = ±.005 (.127)
 .XXXX = ±.0025 (.0635)
 ANGLE TOL ±1°

IN ACCEPTING OUR DRAWINGS, BLUEPRINTS, OR SUPPORTING DOCUMENTATION FOR QUOTATION OR OTHER PURPOSES, YOU AGREE NOT TO DISCLOSE TO OTHERS THE IDEAS, INFORMATION, OR DESIGNS SHOWN HEREIN, AND THAT YOU WILL MAKE NO USE OF SAME WITHOUT PERMISSION

PROJECT REFERENCE:

MATERIAL:

DRAWN BY:
N. HERRING 6/29/06

CHECKED BY:

APPROVED BY:



Hubbell Premise Wiring
 HUBBELL INCORPORATED (Delaware)
 14 Lord's Hill Road, Stonington, Connecticut 06378

TITLE:
netSELECT
NSJ6 SERIES
JACKS

SIZE: **C** DRAWING NO. **HWS12232C**

SCALE: 2/1 SHEET 1 OF 1

REV. **E**

REV.	ECN	DATE	DESCRIPTION	CHG BY	APPD BY
E	23838	09/11/19	REVISED CATALOG TABLE	DPO	MMA