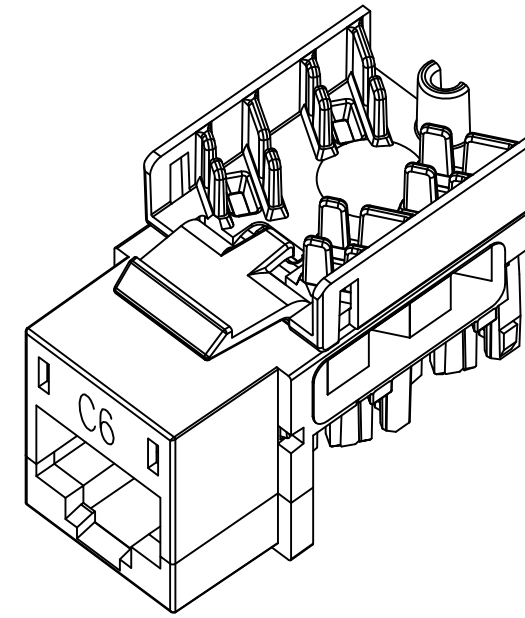
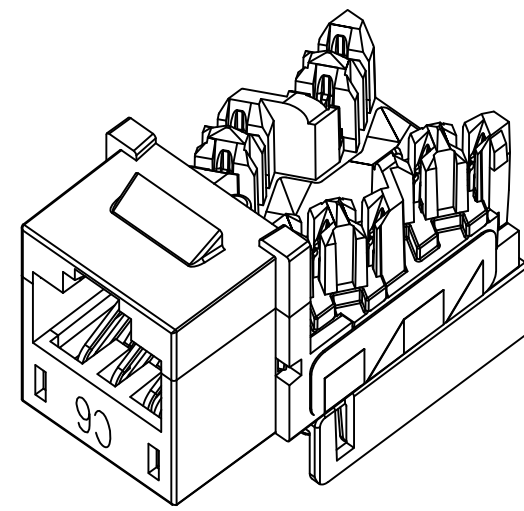
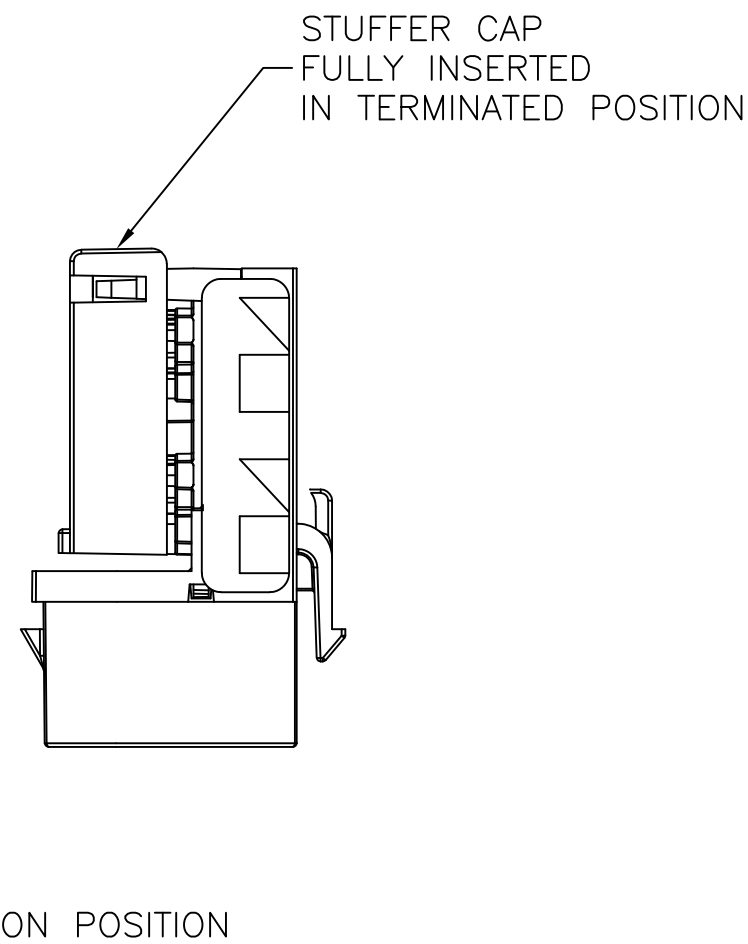
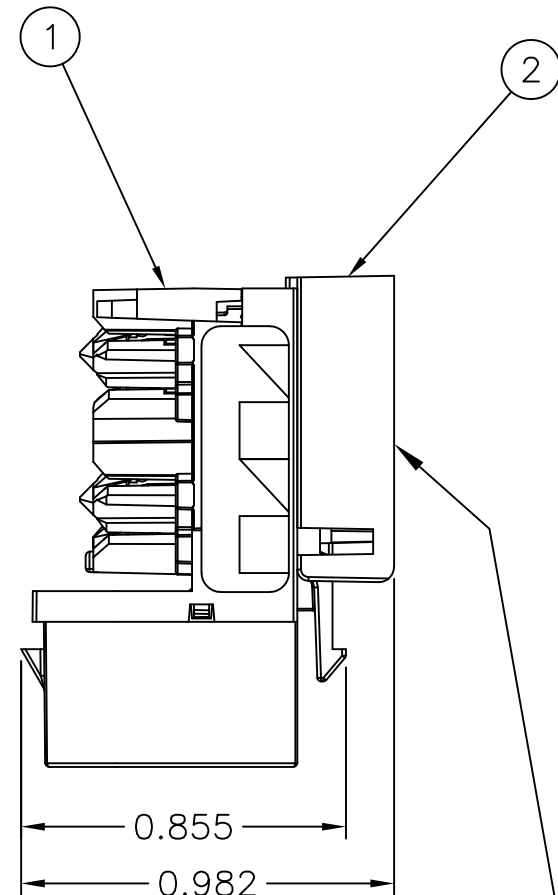
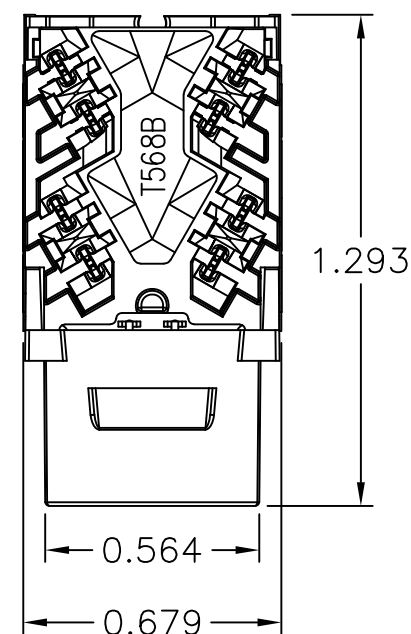


ITEM NO.	DESCRIPTION	QTY.
1	XCELERATOR HXJ6 SERIES JACKS	1
2	STUFFER CAP	1

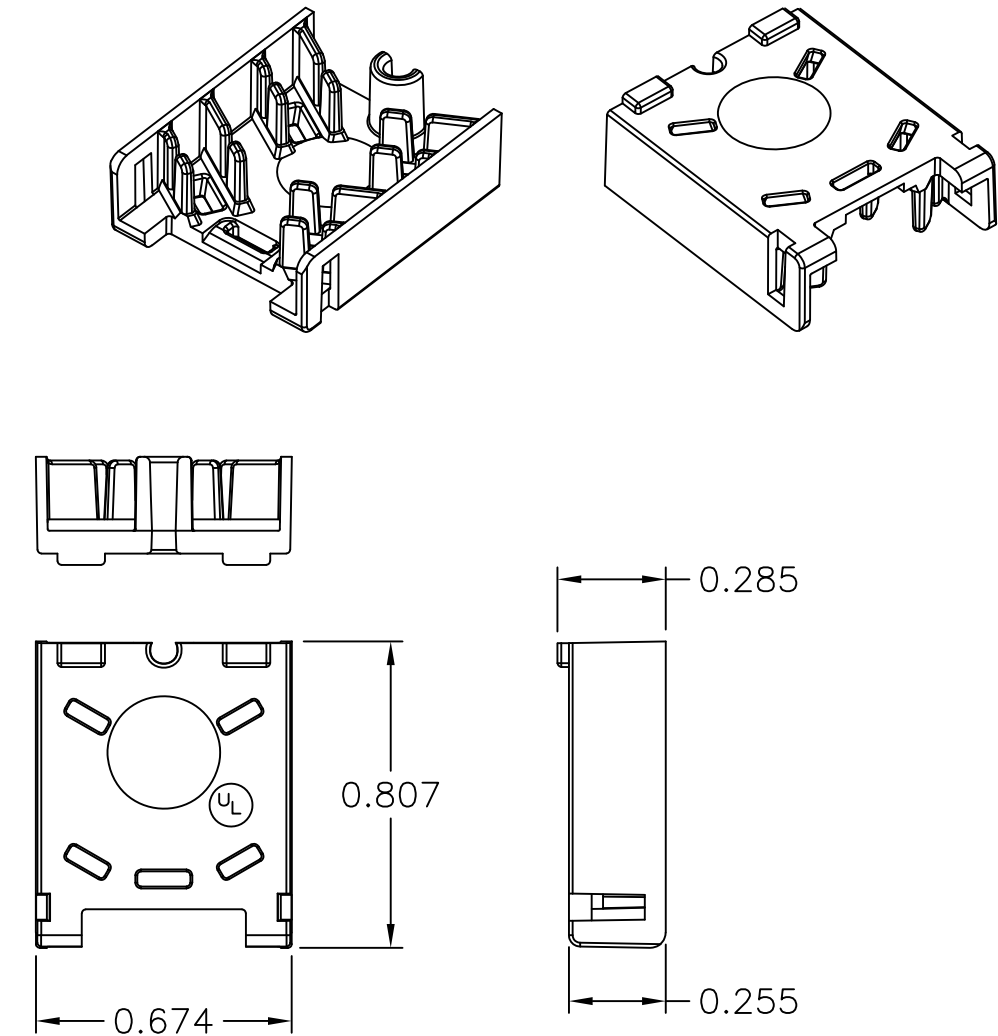
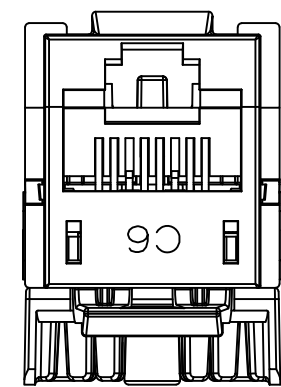


CATALOG SERIES AS FOLLOWS:  
 "xx" = COLOR, SEE TABLE  
 25 PACK: HXJ6xx25  
 24 PACK: HXJ6xx24  
 SINGLE PACK: HXJ6xx

COLOR	"XX"	LASER MARKING
BLUE	B	X6B
BLACK	BK	X6BK
ELECTRIC IVORY	EI	X6EI
GREEN	GN	X6GN
GRAY	GY	X6GY
OFFICE WHITE	OW	X6OW
RED	R	X6R
ORANGE	OR	X6OR
TELCO IVORY	TI	X6TI
WHITE	W	X6W
YELLOW	Y	X6Y
ALMOND	AL	X6AL
LIGHT ALMOND	LA	X6LA
BROWN	BN	X6BN
NAVY BLUE	NB	X6NB




STUFFER CAP FULLY INSERTED IN PRETERMINATION POSITION



NOTES  
 UNLESS OTHERWISE SPECIFIED:

1. UL LISTED: E129878
2. CSA CERTIFIED: LR 80837
3. NOSE CONTACTS ARE BERYLLIUM COPPER WITH FCC COMPLIANT PRECIOUS METAL PLATING IN MATING AREA
4. IDC CONTACTS ARE RoHS COMPLIANT TIN PLATED
5. ALL CONTACTS ARE UNDERPLATED IN NICKEL
6. SPECIFICATIONS SUBJECT TO CHANGE WITHOUT NOTICE

Created on AUTOCAD	DIMENSIONING AND TOLERANCE PER ANSI Y14.5M-1982 UNLESS OTHERWISE SPECIFIED, DIMENSIONS ARE IN INCHES (MM). TOLERANCES .XX = ±.01 (.25) .XXX = ±.005 (.127) .XXXX = ±.0025 (.0635) ANGLE TOL ±1°		PROJECT REFERENCE:		 <b>Hubbell Premise Wiring</b> HUBBELL INCORPORATED (Delaware) 14 Lord's Hill Road, Stonington, Connecticut 06378
	IN ACCEPTING OUR DRAWINGS, BLUEPRINTS, OR SUPPORTING DOCUMENTATION FOR QUOTATION OR OTHER PURPOSES, YOU AGREE NOT TO DISCLOSE TO OTHERS THE IDEAS, INFORMATION, OR DESIGNS SHOWN HEREIN, AND THAT YOU WILL MAKE NO USE OF SAME WITHOUT PERMISSION		MATERIAL:		
			DRAWN BY: P.S.MAGUIRE 03/07/2001		TITLE: XCELERATOR HXJ6 SERIES JACKS
			CHECKED BY:		SIZE: <b>C</b> DRAWING NO. <b>11751C</b> REV. <b>H</b>
		APPROVED BY:		SCALE: 2/1 SHEET 1 OF 1	

H	23838	9/11/19	REVISED CATALOG TABLE	DPO	MMA
REV.	ECN	DATE	DESCRIPTION	CHG BY	APPD BY