

## Installation Sheet for Universal Port

### 1. Product Introduction

This instruction is to demonstrate the faceplate or Surface-Mounting-Box (SMB) with universal port. The universal port can be mounted with M-series modular Jack and SL / SLX series modular Jack, KJ modular jack can be mounted with a SL adapter.

### 2. Ordering information is listed below:

NAR Faceplate	Surface Mounting Box	APAC Faceplate
FP-LBL-XP-YYY	SMB-1P-YYY	FPS-BS-1P-X
FP-NLBL-XP-YYY	SMB-2P-YYY	FPS-BS-2P-X
		FPS-BS-4P-X
		FPUS-BS-2P-X
where suffix X can be 1, 2, 4, or 6, and YYY can be any number denotes the color.		X can be any color.

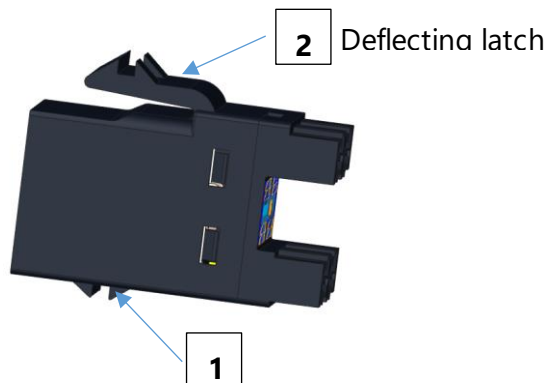
### 3. Modular Jack Installation steps

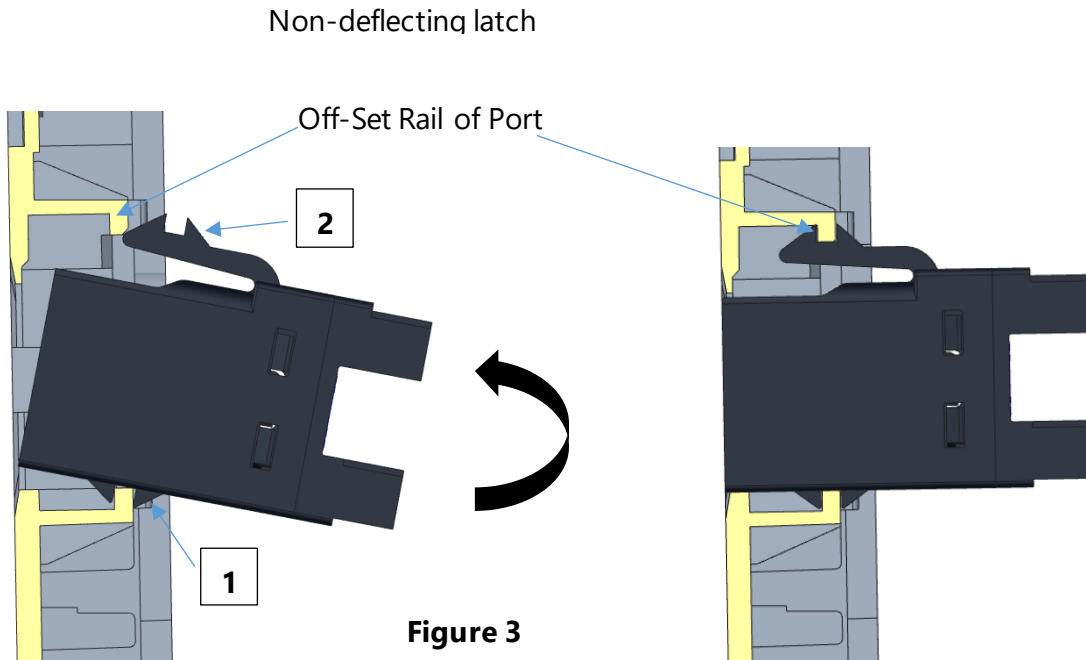
3.1 Terminate the modular jack according to the modular jack installation instructions. And install terminated modular Jack into faceplate proceed as follows.

#### 3.2 SL / SLX series modular jack install

**Step 1:** insert the modular jack by aligning the slotted side first, seating Non-deflecting Latch [1] on bottom rib.

**Step 2:** pivot the modular jack or insert forward until the Deflecting Latch [2] engages the off-set rail of the port and snaps into place. Refer to Figure 3.



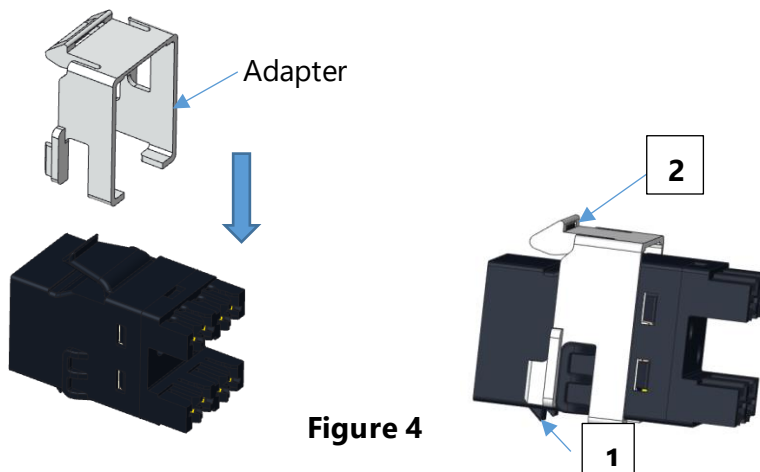


### 3.3 KJ series modular Jack install.

**Step 1**, install the adapter according to the assembly direction of Figure 4.

**Step 2**: insert the modular jack by aligning the slotted side first, seating Non-deflecting Latch [1] on bottom rib.

**Step 3**: pivot the modular jack or insert forward until the Deflecting Latch [2] engages the off-set rail of the port and snaps into place. Refer to Figure 5.



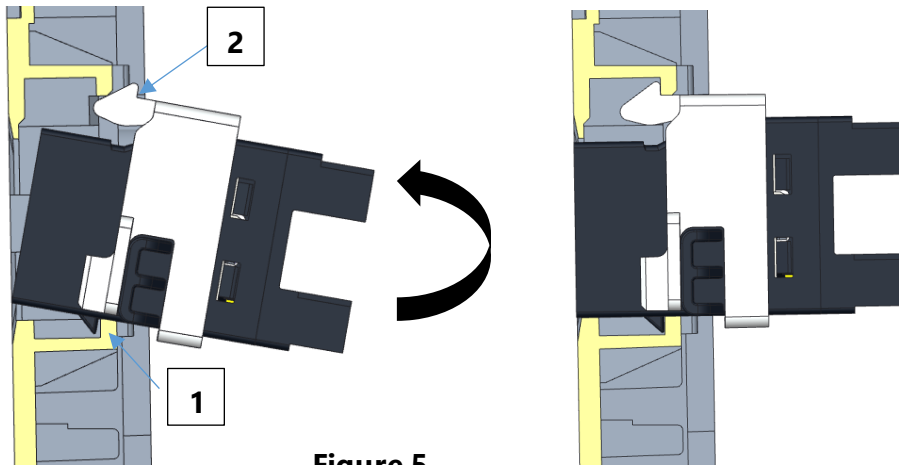


Figure 5

### 3.4 M series modular jack install,

- Install the modular jack according to the assembly direction of Figure 6.

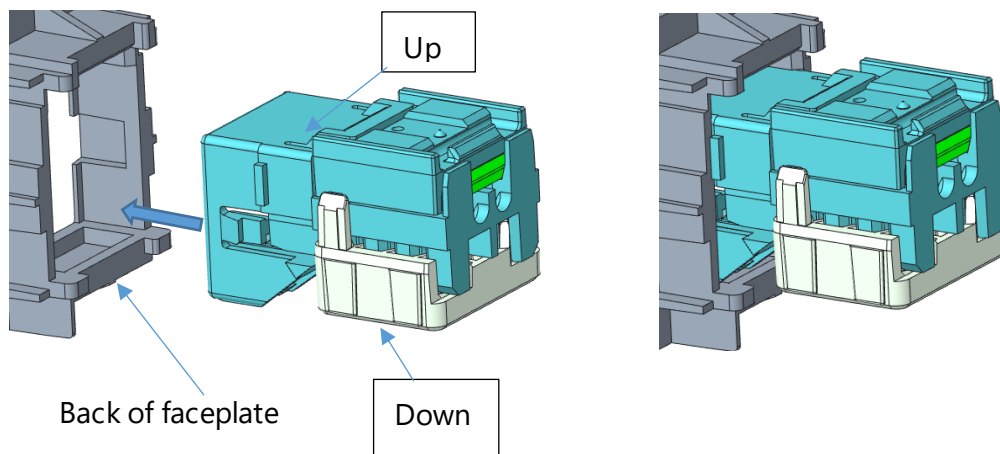


Figure 6

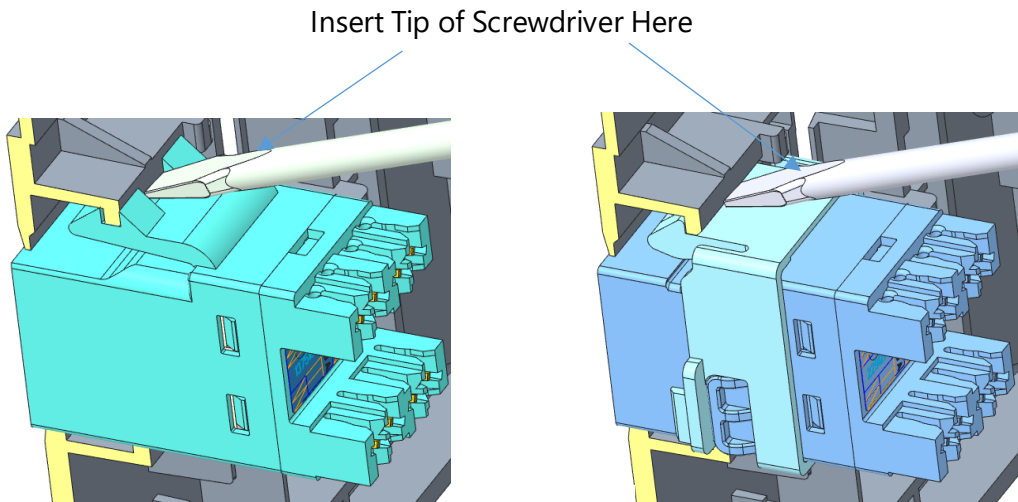
## 4 Remove modular jack from the Universal Ports.

### 4.1. Remove SL and KJ series modular jack, refer to figure 7.

Step1, insert the tip of a small-blade screwdriver over the deflecting latch of the modular jack.

Step2, rotate it slightly to release the deflecting latch.

Step3, pull the modular jack out of the back of the port.



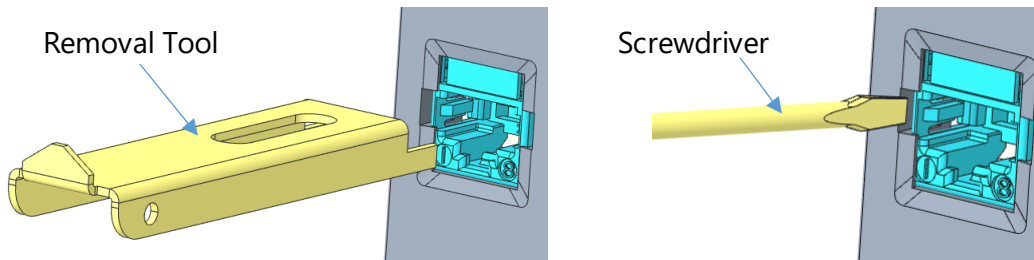
**Figure 7**

#### 4.2 Remove M series modular Jack.

4.2.1 Remove from un-shuttered port, refer to figure 8.

Step1, insert the Outlet Removal Tool (760122713) or screwdriver over the latch of the modular jack.

Step2, pull the modular jack out of the back of the port.

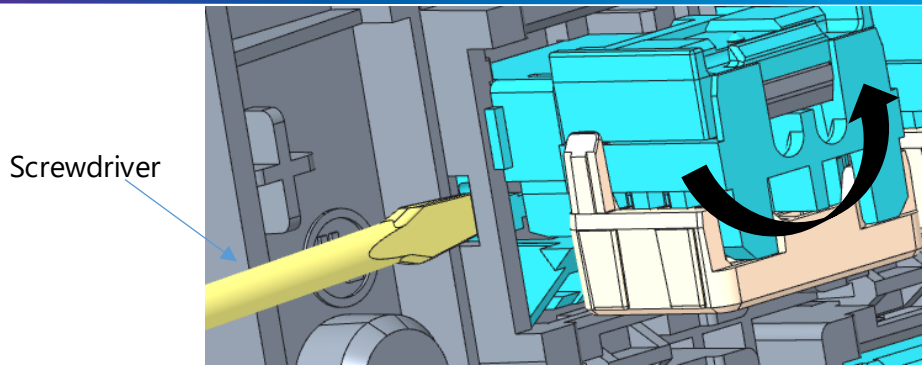


**Figure 8**

4.2.2 Remove from shuttered port. refer to figure 9.

Step1, insert screwdriver over the latch of the modular jack.

Step2, pivot and pull the modular jack out of the back of the port.



**Figure 9**

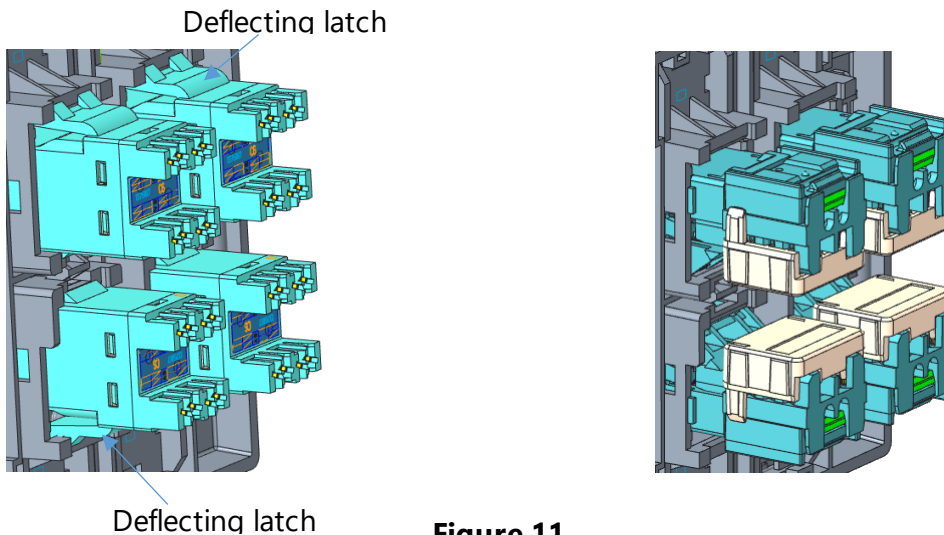
**Note:**

1. Shuttered modular jack can't work with shutter series faceplate.
2. High Density M-Series Adapter (figure 10) can't work with shutter series faceplate.



**Figure 10**

3. Modular jack installation direction is back to back on the 4 port shutter faceplate, refer to figure 11.



**Figure 11**