

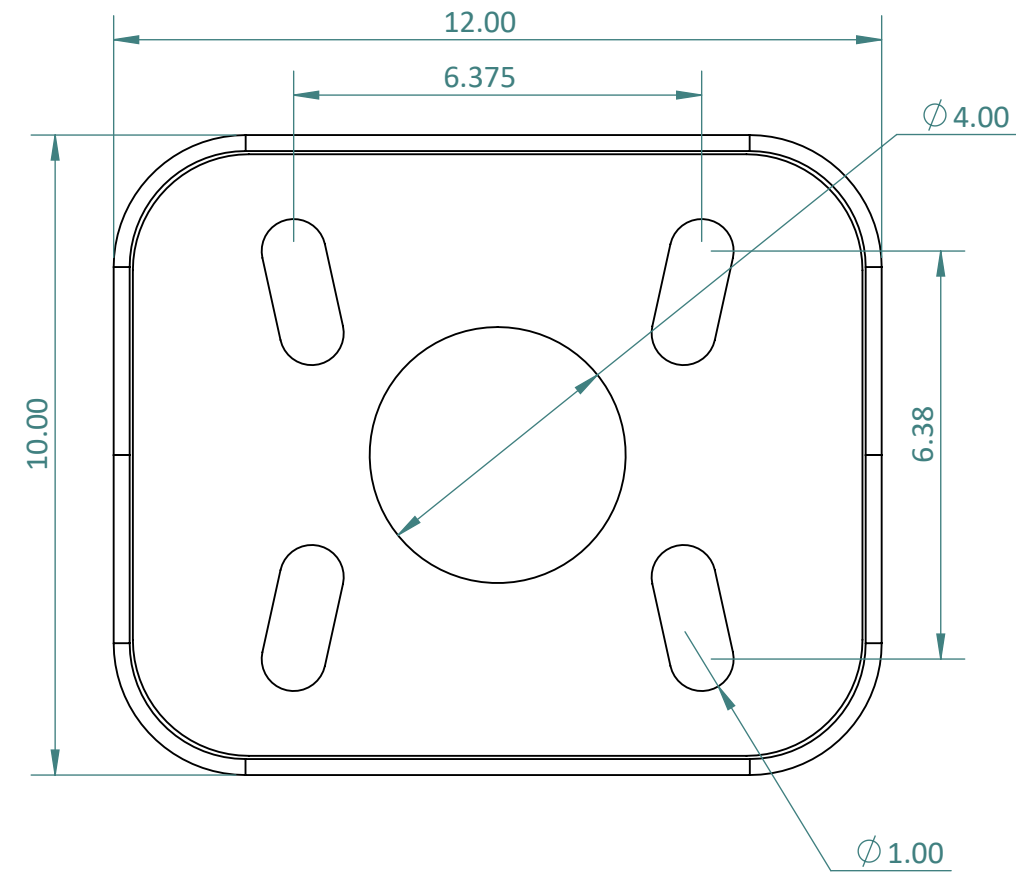
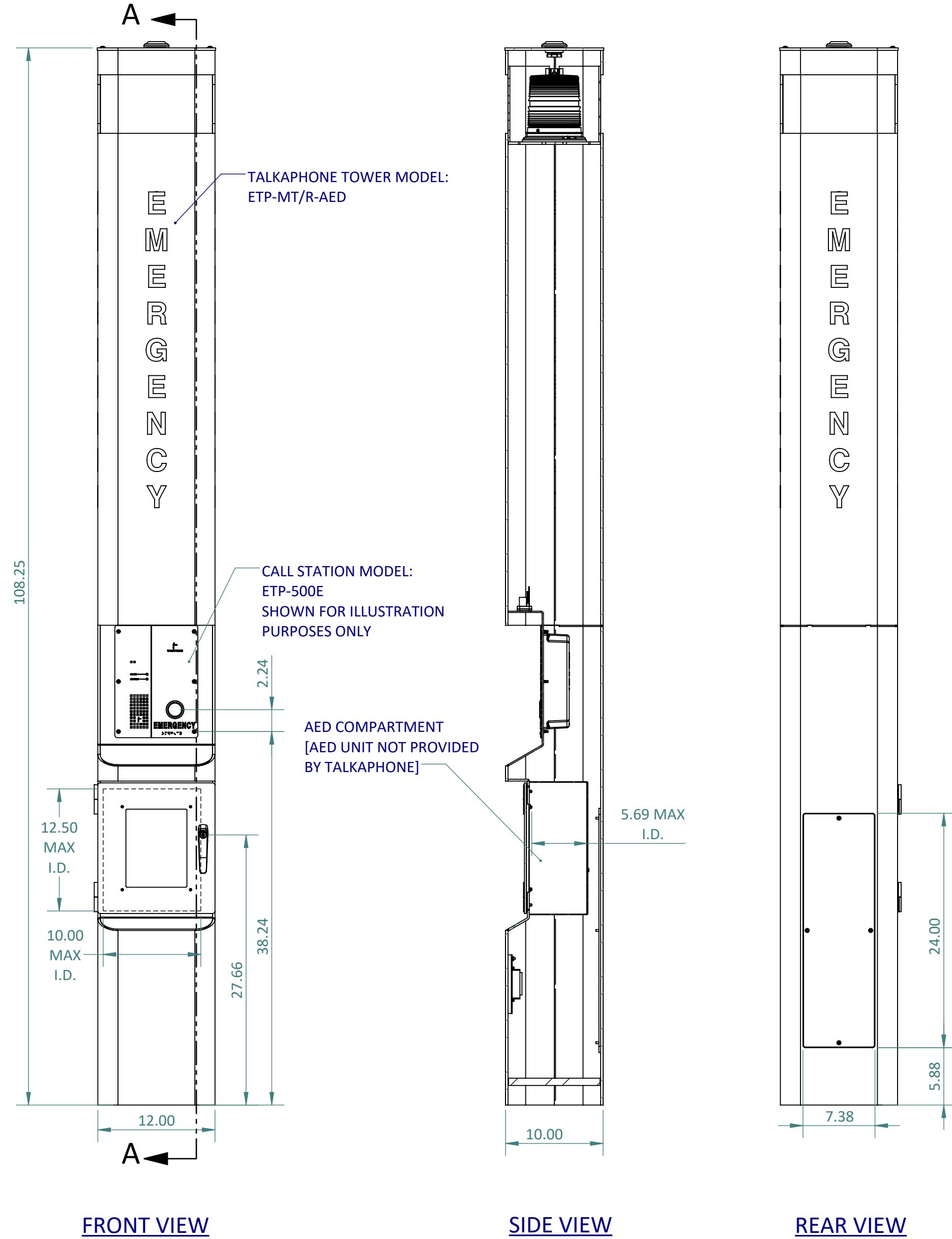
NOTES:

AUTOMATED EXTERNAL DEFIBRILLATOR (AED) UNIT MAXIMUM RECOMMENDED DIMENSIONS FOR EASE OF FIT:

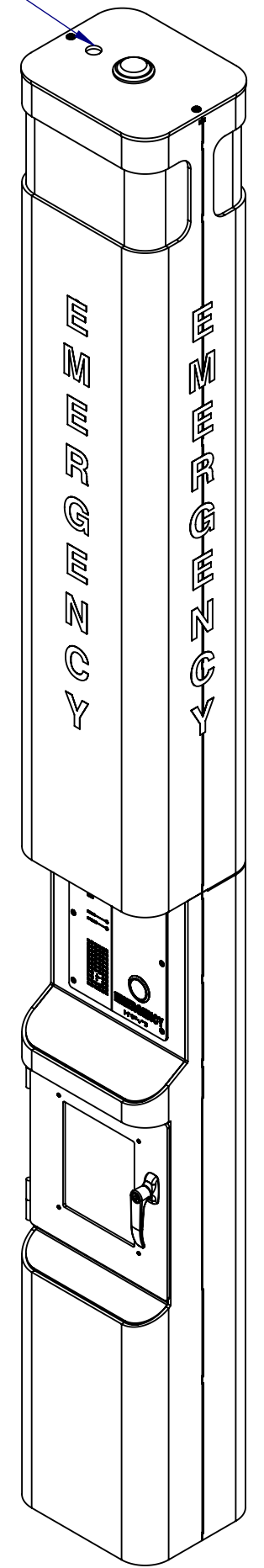
12.00"H X 9.5"W X 5.5"D

WITH HEATER INCLUDED, MAXIMUM RECOMMENDED AED DIMENSIONS:

12.00"H X 8.5"W X 5.5"D



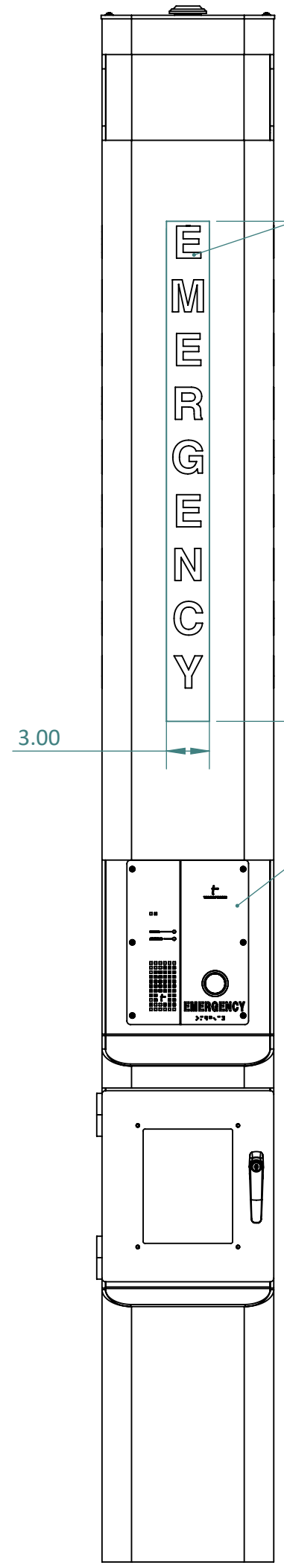
ANTENNA HOLE CUTOUT
1.00 DIA.



1.0	PRODUCTION RELEASE	01/30/2024	K PATEL
REV.	DESCRIPTION	DATE	APPROVED
REVISIONS			
SPECIFICATIONS ARE SUBJECT TO CHANGE WITHOUT NOTICE	DIMENSIONS ARE IN INCHES	NAME	DATE
	TOLERANCES:	DRAWN	K PATEL 1/30/2024
	DRILL HOLE: -0.00 / +0.003	CHECKED	
	ANGULAR: MACH ± 1° BEND ± 1°	ENG APPR.	
TWO PLACE DECIMAL ± 0.01	MFG APPR.		
THREE PLACE DECIMAL ± 0.005	Q.A.		
DO NOT SCALE DRAWING	INTERPRET GEOMETRIC TOLERANCING PER: ASME Y14.5-2009		
PROPRIETARY AND CONFIDENTIAL	MATERIAL		
THE INFORMATION CONTAINED IN THIS DRAWING IS THE SOLE PROPERTY OF TALK-A-PHONE, LLC. ANY REPRODUCTION IN PART OR AS A WHOLE WITHOUT THE WRITTEN PERMISSION OF TALK-A-PHONE, LLC IS PROHIBITED.	FINISH		
	MODEL FILE NAME:		
	ETP-MT-R-AED_SERIES		
TALKAPHONE TALK-A-PHONE, LLC 7530 N. NATCHEZ AVE., NILES, IL 60714 WWW.TALKAPHONE.COM		DESCRIPTION	
		ETP-MT/R-AED SERIES	
		SIZE	PART NO.
C	ETP-MT/R-AED	1.0	
SCALE: 1:10	WEIGHT:	SHEET 1 OF 2	

8 7 6 5 4 3 2 1

F
E
D
C
B
A



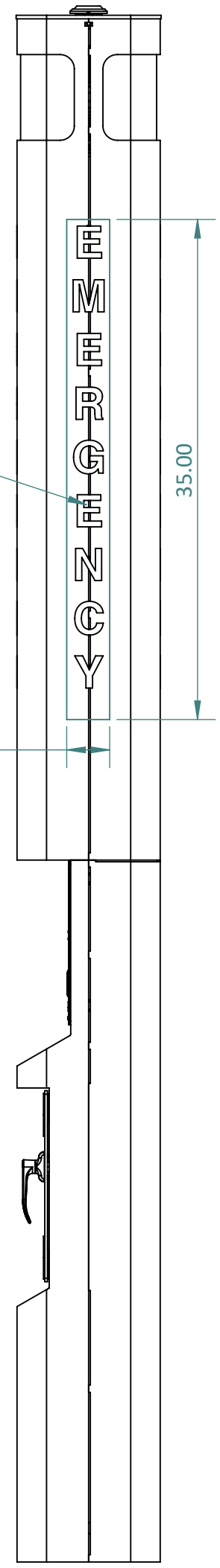
FRONT VIEW

STANDARD SIGNAGE:
SIGNAGE ON FOUR SIDES:
HIGH REFLECTIVE WHITE "EMERGENCY"
LETTERING WITH WIDE ANGLE
VISIBILITY IS STANDARD.
ALSO AVAILABLE WITH "ASSISTANCE",
"INFORMATION", OR CUSTOM LETTERING
AND COLORS

35.00

3.00

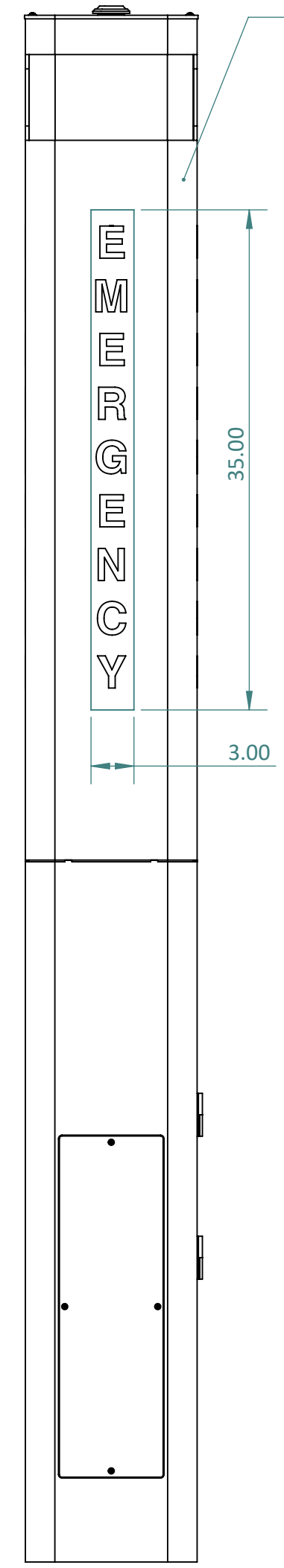
CALL STATION MODEL:
ETP-500E
SHOWN FOR
ILLUSTRATION ONLY



SIDE VIEW

35.00

3.00

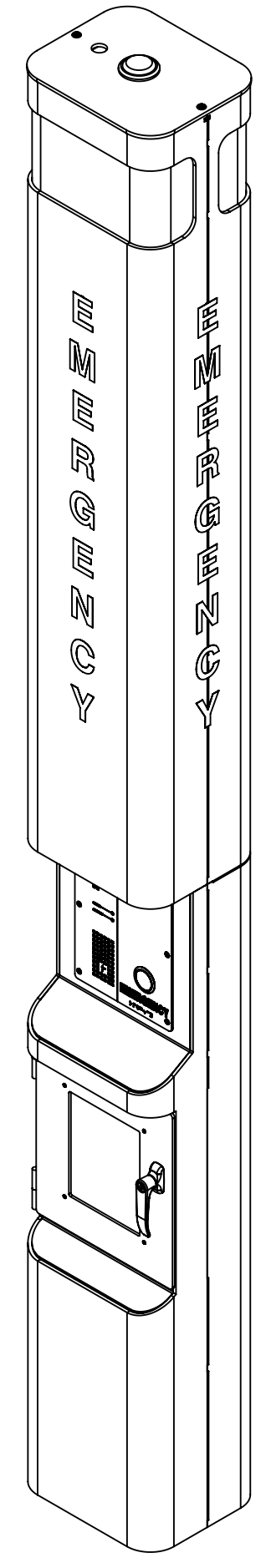


REAR VIEW

35.00

3.00

STANDARD FINISH:
PAINTED IN SAFETY BLUE COLOR
OPTIONAL FINISH:
AVAILABLE PAINTED IN CUSTOM COLORS



SPECIFICATIONS ARE SUBJECT TO CHANGE WITHOUT NOTICE DO NOT SCALE DRAWING PROPRIETARY AND CONFIDENTIAL THE INFORMATION CONTAINED IN THIS DRAWING IS THE SOLE PROPERTY OF TALK-A-PHONE, LLC. ANY REPRODUCTION IN PART OR AS A WHOLE WITHOUT THE WRITTEN PERMISSION OF TALK-A-PHONE, LLC IS PROHIBITED.	UNLESS OTHERWISE SPECIFIED: DIMENSIONS ARE IN INCHES TOLERANCES: DRILL HOLE: -0.00 / +0.003 ANGULAR: MACH ± 1° BEND ± 1° TWO PLACE DECIMAL ± 0.01 THREE PLACE DECIMAL ± 0.005	DRAWN K. PATEL 1/30/2024	NAME K. PATEL	DATE 1/30/2024
	INTERPRET GEOMETRIC TOLERANCING PER: ASME Y14.5-2009	CHECKED ENG APPR. MFG APPR.	Q.A.	DESCRIPTION ETP-MT/R-AED SERIES
	MATERIAL NA FINISH NA MODEL FILE NAME: ETP-MT-R-AED_SERIES	SIZE C	PART NO. ETP-MT/R-AED	REV 1.0
	SCALE: 1:12	WEIGHT:	SHEET 2 OF 2	

TALKAPHONE
TALK-A-PHONE, LLC
7530 N. NATCHEZ AVE., NILES, IL 60714
WWW.TALKAPHONE.COM

8 7 6 5 4 3 2 1