

SEC A-A
 SCALE:NTS

MANUFACTURED IN CHINA



<input type="checkbox"/>	O
<input checked="" type="checkbox"/>	S

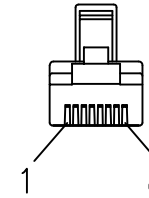
DRAWING APPROVED _____ DATE: _____		SAMPLE APPROVED PER _____ DATE: _____ DRAWING SPECIFICATIONS	
<small>PROPRIETARY & CONFIDENTIAL. THE INFORMATION CONTAINED IN THIS DRAWING IS THE SOLE PROPERTY OF C2G. ANY REPRODUCTION IN PART OR AS A WHOLE WITHOUT THE WRITTEN PERMISSION OF C2G IS PROHIBITED.</small>			
	mm	TITLE Cat6 28awg Snagless	
SCALE	NONE	CUS. NAME LEGRAND	
SHEET	1/9	CUS. P/N SEE "P/N CHART"	
<small>DIMENSIONAL TOLERANCES UNLESS OTHERWISE NOTED</small> .X ± =0.5(0.02") .XX ± =0.10(0.004") .XXX ± =0.050(0.002") ANGLES ±		DRAW NO.	P1903026
REV.	1	CUS. REV.	
		APPROVED	DATE Sean 2019-10-11



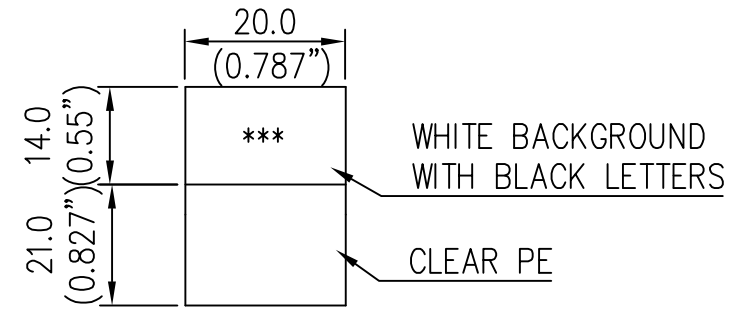
ENG. Cloud 2019-10-11
 CHECKED _____ DATE _____
 APPROVED Sean 2019-10-11

NOTE:

1. CAT6 28AWG UTP CABLE: SEE SEC A-A.
2. P1 & P2: RJ45 MALE: 8P8C, GOLD PLATED 50 μ " CONTACTS, UL94V-0.
HOOD: MOLDED PVC,UL94V-0,COLOR SEE SHEET "3/9~7/9".
3. LABEL (WHITE BACKGROUND WITH BLACK LETTERS, SEE "DETAIL B" & "P/N CHART") TO BE PASTED AROUND THE CABLE.
4. PRODUCT IS CE MARKED AND CONFORMS TO 2011/65/EU ROHS 2.
5. TESTING: 100% TEST FOR SHORT/OPEN: 10M OHM INSULATION RESISTANCE (300V DC), AND 100% CHANNEL TEST WITH FLUKE DTX 1800 OR EQUIVALENT.
6. PACKING: EACH CABLE IN A POLYBAG, THEN 10 PCS IN A BIG PE BAG, PE BAG TO BE HOT SEALED BAR CODE LABEL ("WHITE BACKGROUND WITH BLACK LETTERS, SEE "DETAIL A") TO BE PASTED ON POLYBAG.
7. CABLE MARKING: PRINTING INCLUDE: "4PR/28AWG STRANDED UTP CAT 6 PATCH CABLE C(UL) US CM 75°C E*****" ALONG ITS LENGTH.
8. THE CABLE MEETS ANSI/TIA 568 C.2 AND ISO 11801 ELECTRICAL PERFORMANCE REQUIREMENTS.



8P8C MALE FRONT VIEW



CLEAR LABEL-DETAIL B
"***" SEE "P/N CHART"

PIN OUT			
	P1	—	P2
28AWG 1	—	—	1 WHITE/ORANGE
28AWG 2	—	—	2 ORANGE
28AWG 3	—	—	3 WHITE/GREEN
28AWG 6	—	—	6 GREEN
28AWG 5	—	—	5 WHITE/BLUE
28AWG 4	—	—	4 BLUE
28AWG 7	—	—	7 WHITE/BROWN
28AWG 8	—	—	8 BROWN

MANUFACTURED IN CHINA



<input type="checkbox"/> O
<input checked="" type="checkbox"/> S

DRAWING APPROVED _____ DATE: _____	
SAMPLE APPROVED PER _____ DATE: _____ DRAWING SPECIFICATIONS	
PROPRIETARY & CONFIDENTIAL. THE INFORMATION CONTAINED IN THIS DRAWING IS THE SOLE PROPERTY OF C2G. ANY REPRODUCTION IN PART OR AS A WHOLE WITHOUT THE WRITTEN PERMISSION OF C2G IS PROHIBITED.	
mm	TITLE Cat6 28awg Snagless
SCALE NONE	CUS. NAME LEGRAND
SHEET 2/9	CUS. P/N SEE "P/N CHART"
DIMENSIONAL TOLERANCES UNLESS OTHERWISE NOTED	
.X ± =0.5(0.02")	.XX ± =0.10(0.004")
.XXX ± =0.050(0.002")	ANGLES ±
REV. 1	CUS. REV.
DRAW NO. P1903026	
ENG. Cloud	DATE 2019-10-11
CHECKED	DATE
APPROVED Sean	DATE 2019-10-11



P/N CHART

GRAY (PantoneCool Gray 8C) PVC JACKET

P/N(*****)	SAP ITEM NUMBER	L(mm)	L(***)	BAR CODE (XXXXX)	COLOR ****
576-RD00-18IN	78710	457	18IN	78710	GRAY
576-RD00-30IN	78711	762	30IN	78711	
576-RD00-012	78712	3658	12FT	78712	
576-RD00-015	78713	4572	15FT	78713	
576-RD00-025	78714	7620	25FT	78714	

BLACK (Black Pantone 6C) PVC JACKET

P/N(*****)	SAP ITEM NUMBER	L(mm)	L(***)	BAR CODE (XXXXX)	COLOR ****
576-RD35-18IN	78720	457	18IN	78720	BLACK
576-RD35-30IN	78721	762	30IN	78721	
576-RD35-012	78722	3658	12FT	78722	
576-RD35-015	78723	4572	15FT	78723	
576-RD35-025	78724	7620	25FT	78724	

BLUE (Pantone 2945C) PVC JACKET

P/N(*****)	SAP ITEM NUMBER	L(mm)	L(***)	BAR CODE (XXXXX)	COLOR ****
576-RD10-18IN	78715	457	18IN	78715	BLUE
576-RD10-30IN	78716	762	30IN	78716	
576-RD10-012	78717	3658	12FT	78717	
576-RD10-015	78718	4572	15FT	78718	
576-RD10-025	78719	7620	25FT	78719	

MANUFACTURED IN CHINA



O

S

DRAWING APPROVED _____ DATE: _____																			
SAMPLE APPROVED PER _____ DATE: _____ DRAWING SPECIFICATIONS																			
PROPRIETARY & CONFIDENTIAL. THE INFORMATION CONTAINED IN THIS DRAWING IS THE SOLE PROPERTY OF C2G. ANY REPRODUCTION IN PART OR AS A WHOLE WITHOUT THE WRITTEN PERMISSION OF C2G IS PROHIBITED.																			
<table border="1"> <tr> <td></td> <td>mm</td> </tr> <tr> <td>SCALE</td> <td>NONE</td> </tr> <tr> <td>SHEET</td> <td>3/9</td> </tr> </table>		mm	SCALE	NONE	SHEET	3/9	<table border="1"> <tr> <td>TITLE</td> <td>Cat6 28awg Snagless</td> </tr> <tr> <td>CUS. NAME</td> <td>LEGRAND</td> </tr> <tr> <td>CUS. P/N</td> <td>SEE "P/N CHART"</td> </tr> <tr> <td>DRAW NO.</td> <td>P1903026</td> </tr> </table>	TITLE	Cat6 28awg Snagless	CUS. NAME	LEGRAND	CUS. P/N	SEE "P/N CHART"	DRAW NO.	P1903026				
	mm																		
SCALE	NONE																		
SHEET	3/9																		
TITLE	Cat6 28awg Snagless																		
CUS. NAME	LEGRAND																		
CUS. P/N	SEE "P/N CHART"																		
DRAW NO.	P1903026																		
<table border="1"> <tr> <td colspan="2">DIMENSIONAL TOLERANCES UNLESS OTHERWISE NOTED</td> </tr> <tr> <td>.X ± =0.5(0.02")</td> <td>.XX ± =0.10(0.004")</td> </tr> <tr> <td>.XXX ± =0.050(0.002")</td> <td>ANGLES ±</td> </tr> <tr> <td>REV. 1</td> <td>CUS. REV.</td> </tr> </table>	DIMENSIONAL TOLERANCES UNLESS OTHERWISE NOTED		.X ± =0.5(0.02")	.XX ± =0.10(0.004")	.XXX ± =0.050(0.002")	ANGLES ±	REV. 1	CUS. REV.	<table border="1"> <tr> <td>ENG.</td> <td>DATE</td> </tr> <tr> <td>Cloud</td> <td>2019-10-11</td> </tr> <tr> <td>CHECKED</td> <td>DATE</td> </tr> <tr> <td>APPROVED</td> <td>DATE</td> </tr> <tr> <td>Sean</td> <td>2019-10-11</td> </tr> </table>	ENG.	DATE	Cloud	2019-10-11	CHECKED	DATE	APPROVED	DATE	Sean	2019-10-11
DIMENSIONAL TOLERANCES UNLESS OTHERWISE NOTED																			
.X ± =0.5(0.02")	.XX ± =0.10(0.004")																		
.XXX ± =0.050(0.002")	ANGLES ±																		
REV. 1	CUS. REV.																		
ENG.	DATE																		
Cloud	2019-10-11																		
CHECKED	DATE																		
APPROVED	DATE																		
Sean	2019-10-11																		



P/N CHART

GREEN (Pantone 356C) PVC JACKET

RED(Pantone 187C) PVC JACKET

P/N(*****)	SAP ITEM NUMBER	L(mm)	L(***)	BAR CODE (XXXXX)	COLOR ****
576-RD20-6IN	78725	152	6IN	78725	GREEN
576-RD20-18IN	78726	457	18IN	78726	
576-RD20-002	78727	610	2FT	78727	
576-RD20-30IN	78728	762	30IN	78728	
576-RD20-004	78729	1219	4FT	78729	
576-RD20-006	78730	1830	6FT	78730	
576-RD20-008	78731	2438	8FT	78731	
576-RD20-009	78732	2743	9FT	78732	
576-RD20-012	78733	3658	12FT	78733	
576-RD20-015	78734	4572	15FT	78734	
576-RD20-025	78735	7620	25FT	78735	

P/N(*****)	SAP ITEM NUMBER	L(mm)	L(***)	BAR CODE (XXXXX)	COLOR ****
576-RD30-6IN	78736	152	6IN	78736	RED
576-RD30-18IN	78737	457	18IN	78737	
576-RD30-002	78738	610	2FT	78738	
576-RD30-30IN	78739	762	30IN	78739	
576-RD30-004	78740	1219	4FT	78740	
576-RD30-006	78741	1830	6FT	78741	
576-RD30-008	78742	2438	8FT	78742	
576-RD30-009	78743	2743	9FT	78743	
576-RD30-012	78744	3658	12FT	78744	
576-RD30-015	78745	4572	15FT	78745	
576-RD30-025	78746	7620	25FT	78746	

MANUFACTURED IN CHINA



O

S

DRAWING APPROVED _____ DATE: _____	
SAMPLE APPROVED PER DRAWING SPECIFICATIONS _____ DATE: _____	
<small>PROPRIETARY & CONFIDENTIAL. THE INFORMATION CONTAINED IN THIS DRAWING IS THE SOLE PROPERTY OF C2G. ANY REPRODUCTION IN PART OR AS A WHOLE WITHOUT THE WRITTEN PERMISSION OF C2G IS PROHIBITED.</small>	
mm SCALE NONE SHEET 4/9	TITLE Cat6 28awg Snagless CUS. NAME LEGRAND CUS. P/N SEE "P/N CHART" DRAW NO. P1903026
DIMENSIONAL TOLERANCES UNLESS OTHERWISE NOTED .X ± =0.5(0.02") .XX ± =0.10(0.004") .XXX ± =0.050(0.002") ANGLES ±	
REV. 1 CUS. REV.	ENG. Cloud 2019-10-11 CHECKED _____ DATE _____ APPROVED Sean 2019-10-11 DATE _____

P/N CHART

YELLOW (Pantone 109C) PVC JACKET

P/N(*****)	SAP ITEM NUMBER	L(mm)	L(***)	BAR CODE (XXXXX)	COLOR ****
576-RD15-6IN	78747	152	6IN	78747	YELLOW
576-RD15-18IN	78748	457	18IN	78748	
576-RD15-002	78749	610	2FT	78749	
576-RD15-30IN	78750	762	30IN	78750	
576-RD15-004	78751	1219	4FT	78751	
576-RD15-006	78752	1830	6FT	78752	
576-RD15-008	78753	2438	8FT	78753	
576-RD15-009	78754	2743	9FT	78754	
576-RD15-012	78755	3658	12FT	78755	
576-RD15-015	78756	4572	15FT	78756	
576-RD15-025	78757	7620	25FT	78757	

ORANGE (Pantone 165C) PVC JACKET

P/N(*****)	SAP ITEM NUMBER	L(mm)	L(***)	BAR CODE (XXXXX)	COLOR ****
576-RD40-6IN	78758	152	6IN	78758	ORANGE
576-RD40-18IN	78759	457	18IN	78759	
576-RD40-002	78760	610	2FT	78760	
576-RD40-30IN	78761	762	30IN	78761	
576-RD40-004	78762	1219	4FT	78762	
576-RD40-006	78763	1830	6FT	78763	
576-RD40-008	78764	2438	8FT	78764	
576-RD40-009	78765	2743	9FT	78765	
576-RD40-012	78766	3658	12FT	78766	
576-RD40-015	78767	4572	15FT	78767	
576-RD40-025	78768	7620	25FT	78768	

MANUFACTURED IN CHINA



O

S

DRAWING APPROVED _____ DATE: _____																			
SAMPLE APPROVED PER DRAWING SPECIFICATIONS _____ DATE: _____																			
PROPRIETARY & CONFIDENTIAL. THE INFORMATION CONTAINED IN THIS DRAWING IS THE SOLE PROPERTY OF C2G. ANY REPRODUCTION IN PART OR AS A WHOLE WITHOUT THE WRITTEN PERMISSION OF C2G IS PROHIBITED.																			
<table border="1"> <tr><td></td><td>mm</td></tr> <tr><td>SCALE</td><td>NONE</td></tr> <tr><td>SHEET</td><td>5/9</td></tr> </table>		mm	SCALE	NONE	SHEET	5/9	<table border="1"> <tr><td>TITLE</td><td>Cat6 28awg Snagless</td></tr> <tr><td>CUS. NAME</td><td>LEGRAND</td></tr> <tr><td>CUS. P/N</td><td>SEE "P/N CHART"</td></tr> <tr><td>DRAW NO.</td><td>P1903026</td></tr> </table>	TITLE	Cat6 28awg Snagless	CUS. NAME	LEGRAND	CUS. P/N	SEE "P/N CHART"	DRAW NO.	P1903026				
	mm																		
SCALE	NONE																		
SHEET	5/9																		
TITLE	Cat6 28awg Snagless																		
CUS. NAME	LEGRAND																		
CUS. P/N	SEE "P/N CHART"																		
DRAW NO.	P1903026																		
<table border="1"> <tr><td colspan="2">DIMENSIONAL TOLERANCES UNLESS OTHERWISE NOTED</td></tr> <tr><td>.X ± =0.5(0.02")</td><td>.XX ± =0.10(0.004")</td></tr> <tr><td>.XXX ± =0.050(0.002")</td><td>ANGLES ±</td></tr> <tr><td>REV. 1</td><td>CUS. REV.</td></tr> </table>	DIMENSIONAL TOLERANCES UNLESS OTHERWISE NOTED		.X ± =0.5(0.02")	.XX ± =0.10(0.004")	.XXX ± =0.050(0.002")	ANGLES ±	REV. 1	CUS. REV.	<table border="1"> <tr><td>ENG.</td><td>DATE</td></tr> <tr><td>Cloud</td><td>2019-10-11</td></tr> <tr><td>CHECKED</td><td>DATE</td></tr> <tr><td>APPROVED</td><td>DATE</td></tr> <tr><td>Sean</td><td>2019-10-11</td></tr> </table>	ENG.	DATE	Cloud	2019-10-11	CHECKED	DATE	APPROVED	DATE	Sean	2019-10-11
DIMENSIONAL TOLERANCES UNLESS OTHERWISE NOTED																			
.X ± =0.5(0.02")	.XX ± =0.10(0.004")																		
.XXX ± =0.050(0.002")	ANGLES ±																		
REV. 1	CUS. REV.																		
ENG.	DATE																		
Cloud	2019-10-11																		
CHECKED	DATE																		
APPROVED	DATE																		
Sean	2019-10-11																		



P/N CHART

PURPLE (Pantone 2597C) PVC JACKET

P/N(*****)	SAP ITEM NUMBER	L(mm)	L(***)	BAR CODE (XXXXX)	COLOR ****
576-RD45-6IN	78769	152	6IN	78769	PURPLE
576-RD45-18IN	78770	457	18IN	78770	
576-RD45-002	78771	610	2FT	78771	
576-RD45-30IN	78772	762	30IN	78772	
576-RD45-004	78773	1219	4FT	78773	
576-RD45-006	78774	1830	6FT	78774	
576-RD45-008	78775	2438	8FT	78775	
576-RD45-009	78776	2743	9FT	78776	
576-RD45-012	78777	3658	12FT	78777	
576-RD45-015	78778	4572	15FT	78778	
576-RD45-025	78779	7620	25FT	78779	

WHITE (Bright White)PVC JACKET

P/N(*****)	SAP ITEM NUMBER	L(mm)	L(***)	BAR CODE (XXXXX)	COLOR ****
576-RD25-6IN	78780	152	6IN	78780	WHITE
576-RD25-18IN	78781	457	18IN	78781	
576-RD25-002	78782	610	2FT	78782	
576-RD25-30IN	78783	762	30IN	78783	
576-RD25-004	78784	1219	4FT	78784	
576-RD25-006	78785	1830	6FT	78785	
576-RD25-008	78786	2438	8FT	78786	
576-RD25-009	78787	2743	9FT	78787	
576-RD25-012	78788	3658	12FT	78788	
576-RD25-015	78789	4572	15FT	78789	
576-RD25-025	78790	7620	25FT	78790	

MANUFACTURED IN CHINA



O

S

DRAWING APPROVED _____ DATE: _____																			
SAMPLE APPROVED PER DRAWING SPECIFICATIONS _____ DATE: _____																			
PROPRIETARY & CONFIDENTIAL. THE INFORMATION CONTAINED IN THIS DRAWING IS THE SOLE PROPERTY OF C2G. ANY REPRODUCTION IN PART OR AS A WHOLE WITHOUT THE WRITTEN PERMISSION OF C2G IS PROHIBITED.																			
<table border="1"> <tr><td></td><td>mm</td></tr> <tr><td>SCALE</td><td>NONE</td></tr> <tr><td>SHEET</td><td>6/9</td></tr> </table>		mm	SCALE	NONE	SHEET	6/9	<table border="1"> <tr><td>TITLE</td><td>Cat6 28awg Snagless</td></tr> <tr><td>CUS. NAME</td><td>LEGRAND</td></tr> <tr><td>CUS. P/N</td><td>SEE "P/N CHART"</td></tr> <tr><td>DRAW NO.</td><td>P1903026</td></tr> </table>	TITLE	Cat6 28awg Snagless	CUS. NAME	LEGRAND	CUS. P/N	SEE "P/N CHART"	DRAW NO.	P1903026				
	mm																		
SCALE	NONE																		
SHEET	6/9																		
TITLE	Cat6 28awg Snagless																		
CUS. NAME	LEGRAND																		
CUS. P/N	SEE "P/N CHART"																		
DRAW NO.	P1903026																		
<table border="1"> <tr><td colspan="2">DIMENSIONAL TOLERANCES UNLESS OTHERWISE NOTED</td></tr> <tr><td>.X ± =0.5(0.02")</td><td>.XX ± =0.10(0.004")</td></tr> <tr><td>.XXX ± =0.050(0.002")</td><td>ANGLES ±</td></tr> <tr><td>REV. 1</td><td>CUS. REV.</td></tr> </table>	DIMENSIONAL TOLERANCES UNLESS OTHERWISE NOTED		.X ± =0.5(0.02")	.XX ± =0.10(0.004")	.XXX ± =0.050(0.002")	ANGLES ±	REV. 1	CUS. REV.	<table border="1"> <tr><td>ENG.</td><td>DATE</td></tr> <tr><td>Cloud</td><td>2019-10-11</td></tr> <tr><td>CHECKED</td><td>DATE</td></tr> <tr><td>APPROVED</td><td>DATE</td></tr> <tr><td>Sean</td><td>2019-10-11</td></tr> </table>	ENG.	DATE	Cloud	2019-10-11	CHECKED	DATE	APPROVED	DATE	Sean	2019-10-11
DIMENSIONAL TOLERANCES UNLESS OTHERWISE NOTED																			
.X ± =0.5(0.02")	.XX ± =0.10(0.004")																		
.XXX ± =0.050(0.002")	ANGLES ±																		
REV. 1	CUS. REV.																		
ENG.	DATE																		
Cloud	2019-10-11																		
CHECKED	DATE																		
APPROVED	DATE																		
Sean	2019-10-11																		



P/N CHART

PINK (Pantone/#210C)PVC JACKET

P/N(*****)	SAP ITEM NUMBER	L(mm)	L(***)	BAR CODE (XXXXX)	COLOR ****
576-RD50-6IN	78791	152	6IN	78791	PINK
576-RD50-18IN	78792	457	18IN	78792	
576-RD50-002	78793	610	2FT	78793	
576-RD50-30IN	78794	762	30IN	78794	
576-RD50-004	78795	1219	4FT	78795	
576-RD50-006	78796	1830	6FT	78796	
576-RD50-008	78797	2438	8FT	78797	
576-RD50-009	78798	2743	9FT	78798	
576-RD50-012	78799	3658	12FT	78799	
576-RD50-015	78800	4572	15FT	78800	
576-RD50-025	78801	7620	25FT	78801	

legrand®

#*****
www.legrand.us

Made in China

*** VS Cat6 Snagless Unshielded (UTP) Slim Ethernet Network Patch Cable-***

WARNING
Cancer and Reproductive Harm
www.P65Warnings.ca.gov

Warning: To avoid danger of suffocation, keep this plastic bag away from babies and children. Do not use this bag in cribs, beds, carriages, or playpens. This bag is not a toy.

8 84815 XXXXX *

CODE UPC-A

"*" CHECK DIGIT

60 Woodlawn St. West Hartford, CT 06110 | 800.293.4970

BAR CODE LABEL-DETAIL A

"YYYY" = YEAR, "MM" = MONTH, "DD" = DATE

'XXXXX' = 5 DIGIT PART NUMBER

'***' = LENGTH, '****' = COLOR

'*****' = P/N

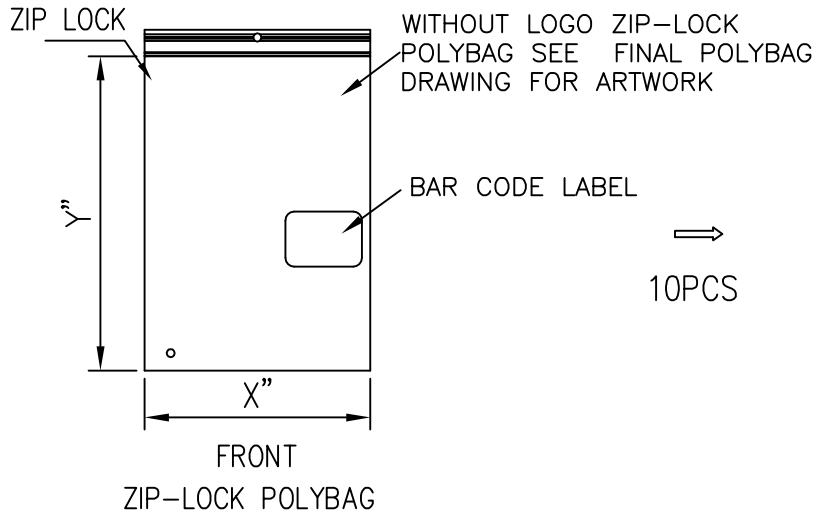
SEE P/N CHART

MANUFACTURED IN CHINA

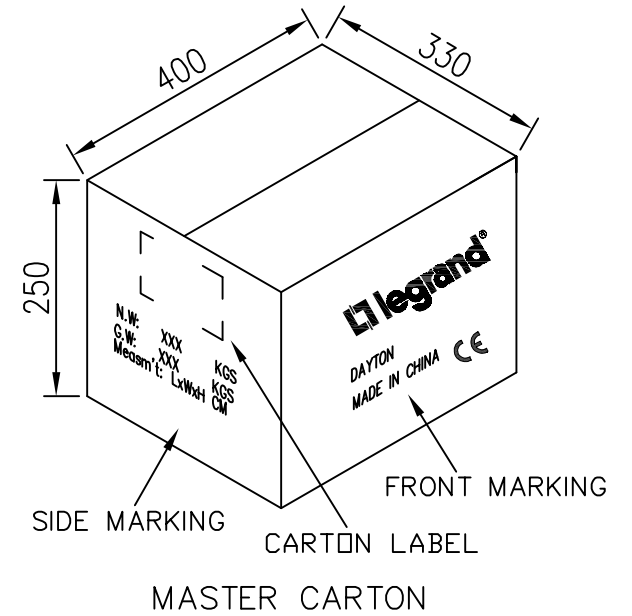
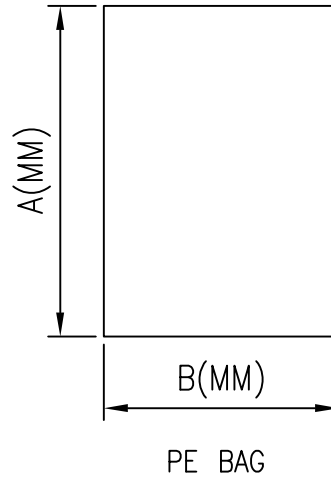


<input type="checkbox"/>	O
<input checked="" type="checkbox"/>	S

DRAWING APPROVED _____ DATE: _____		SAMPLE APPROVED PER _____ DATE: _____																		
PROPRIETARY & CONFIDENTIAL. THE INFORMATION CONTAINED IN THIS DRAWING IS THE SOLE PROPERTY OF C2G. ANY REPRODUCTION IN PART OR AS A WHOLE WITHOUT THE WRITTEN PERMISSION OF C2G IS PROHIBITED.																				
<table border="1" style="width: 100%;"> <tr><td>mm</td></tr> <tr><td>SCALE NONE</td></tr> <tr><td>SHEET 7/9</td></tr> </table>	mm	SCALE NONE	SHEET 7/9	<table border="1" style="width: 100%;"> <tr><td>TITLE</td></tr> <tr><td>Cat6 28awg Snagless</td></tr> <tr><td>CUS. NAME</td></tr> <tr><td>LEGRAND</td></tr> <tr><td>CUS. P/N</td></tr> <tr><td>SEE "P/N CHART"</td></tr> <tr><td>DRAW NO.</td></tr> <tr><td>P1903026</td></tr> </table>	TITLE	Cat6 28awg Snagless	CUS. NAME	LEGRAND	CUS. P/N	SEE "P/N CHART"	DRAW NO.	P1903026		<table border="1" style="width: 100%;"> <tr><td>ENG. DATE</td></tr> <tr><td>Cloud 2019-10-11</td></tr> <tr><td>CHECKED DATE</td></tr> <tr><td> </td></tr> <tr><td>APPROVED DATE</td></tr> <tr><td>Sean 2019-10-11</td></tr> </table>	ENG. DATE	Cloud 2019-10-11	CHECKED DATE		APPROVED DATE	Sean 2019-10-11
mm																				
SCALE NONE																				
SHEET 7/9																				
TITLE																				
Cat6 28awg Snagless																				
CUS. NAME																				
LEGRAND																				
CUS. P/N																				
SEE "P/N CHART"																				
DRAW NO.																				
P1903026																				
ENG. DATE																				
Cloud 2019-10-11																				
CHECKED DATE																				
APPROVED DATE																				
Sean 2019-10-11																				
<table border="1" style="width: 100%;"> <tr><td colspan="2">DIMENSIONAL TOLERANCES UNLESS OTHERWISE NOTED</td></tr> <tr><td>.X ± 0.5(0.02")</td><td>.XX ± 0.10(0.004")</td></tr> <tr><td>.XXX ± 0.050(0.002")</td><td>ANGLES ±</td></tr> </table>		DIMENSIONAL TOLERANCES UNLESS OTHERWISE NOTED		.X ± 0.5(0.02")	.XX ± 0.10(0.004")	.XXX ± 0.050(0.002")	ANGLES ±													
DIMENSIONAL TOLERANCES UNLESS OTHERWISE NOTED																				
.X ± 0.5(0.02")	.XX ± 0.10(0.004")																			
.XXX ± 0.050(0.002")	ANGLES ±																			
REV. 1	CUS. REV.																			



10PCS



CARTON MARKINGS



152	4	5.5	500PCS
457	6	10	420PCS
610	6	10	400PCS
762	6	10	380PCS
1219	6	10	250PCS
1830	6	10	190PCS
2438	6	10	130PCS
2743	6	10	130PCS
3658	6	10	110PCS
4572	8	12.5	80PCS
7620	8	12.5	50PCS
L(mm)	X"	Y"	CARTON QTY

MANUFACTURED IN CHINA



O

S

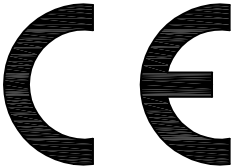
DRAWING APPROVED _____ DATE: _____		SAMPLE APPROVED PER _____ DATE: _____	
DRAWING SPECIFICATIONS _____			
PROPRIETARY & CONFIDENTIAL. THE INFORMATION CONTAINED IN THIS DRAWING IS THE SOLE PROPERTY OF C2G. ANY REPRODUCTION IN PART OR AS A WHOLE WITHOUT THE WRITTEN PERMISSION OF C2G IS PROHIBITED.			
mm	TITLE	legrand®	
NONE	Cat6 28awg Snagless		
8/9	CUS. NAME	LEGRAND	
DIMENSIONAL TOLERANCES UNLESS OTHERWISE NOTED		CUS. P/N	
.X ± =0.5(0.02)	.XX ± =0.10(0.004)	SEE "P/N CHART"	
.XXX ± =0.050(0.002)	ANGLES ±	DRAW NO.	
REV. 1	CUS. REV.	P1903026	
ENGR. Cloud		DATE 2019-10-11	
CHECKED		DATE	
APPROVED Sean		DATE 2019-10-11	

REVISION HISTORY

REV.	PAGE	SECTION	ECO	CHANGE DESCRIPTION	DATE
0	N/A	N/A	N/A	INITIAL RELEASE FOR QUOTE	03-28-19
1	1-9	A2	20190271	CHANGE THE CUS. NAME: "QUIKTRON" TO "LEGRAND"	10-11-19

REV.	PAGE	SECTION	ECO	CHANGE DESCRIPTION	DATE

MANUFACTURED IN CHINA



- O
- S

DRAWING APPROVED _____		DATE: _____	
SAMPLE APPROVED PER _____		DATE: _____	
<small>PROPRIETARY & CONFIDENTIAL. THE INFORMATION CONTAINED IN THIS DRAWING IS THE SOLE PROPERTY OF C2G. ANY REPRODUCTION IN PART OR AS A WHOLE WITHOUT THE WRITTEN PERMISSION OF C2G IS PROHIBITED.</small>			
	mm	TITLE Cat6 28awg Snagless	
SCALE	NONE	CUS. NAME LEGRAND	
SHEET	9/9		
<small>DIMENSIONAL TOLERANCES UNLESS OTHERWISE NOTED</small> .X ± =0.5(0.02') .XX ± =0.10(0.004') .XXX ± =0.050(0.002') ANGLES ±		CUS. P/N SEE "P/N CHART"	
REV. 1	CUS. REV.	DRAW NO. P1903026	ENG. DATE Cloud 2019-10-11 CHECKED DATE APPROVED DATE Sean 2019-10-11

