

Aluminum Cable Tray

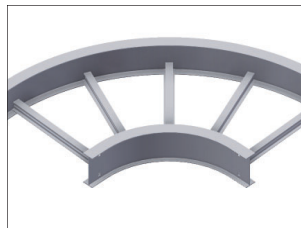
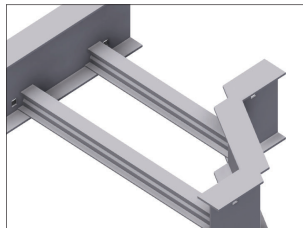


Light Weight High Capacity Aluminum Cable Tray System



Aluminum Cable Tray

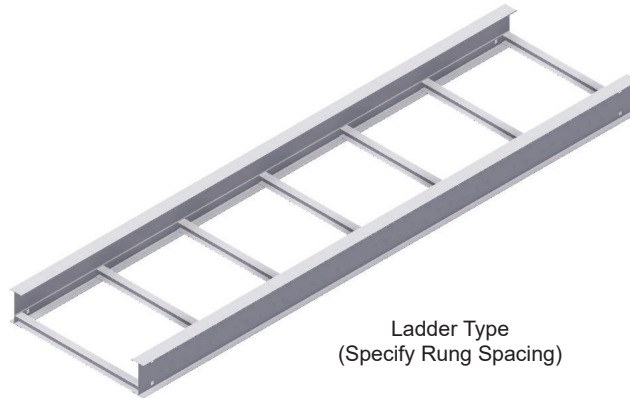
Light Weight High Capacity Aluminum Cable Tray System



Snake Tray is pleased to offer Aluminum Cable Trays to accommodate our customer's needs for larger cable trays. Aluminum Cable Trays are a light weight for easier installation while offering a high loading capacity to manage large cable runs. Components are easy to attach with our quick connection system. We manufacture the full range of aluminum cable trays in our factory and stand ready to deliver to your next project.

- Light weight aluminum
 - High loading capacity to handle large cable runs
 - Easy connection system
 - Great for industrial and outside plant installations
 - Made in the USA
-

653 Aluminum Cable Tray Straight Sections



Ladder Type
(Specify Rung Spacing)

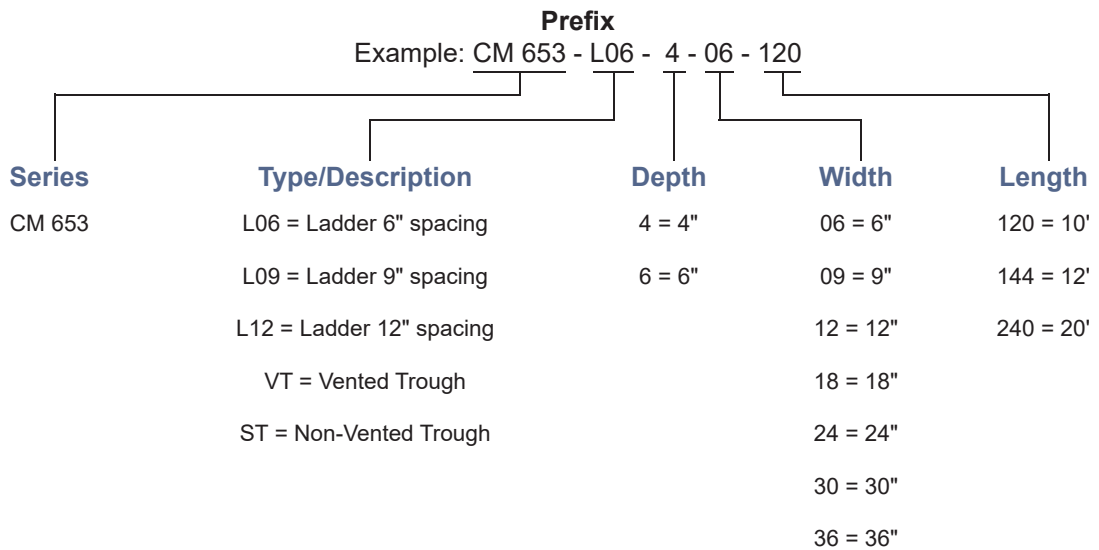


Ventilated Trough



Non-Ventilated Trough

Straight Section Part Numbering

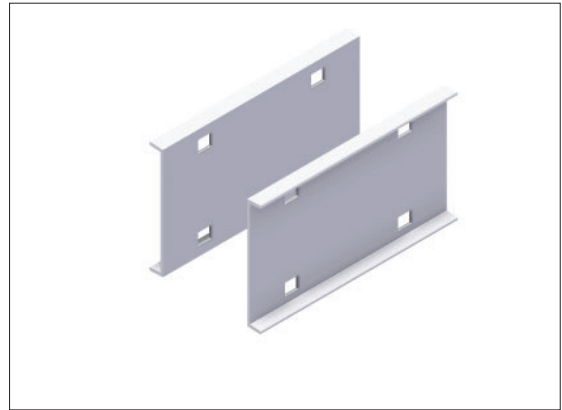


653 Aluminum Cable Tray Accessories

In-Line Locking Splice Plates

Part Number	Size
CM 653-4-SP-01	4" H
CM 653-6-SP-01	6" H

- Standard 4-hole pattern
- Furnished in pairs with hardware
- One pair including hardware required for each section
- For field installation drill 13/32" hole



Expansion Splice Plates

Part Number	Size
CM 653-4-ESP-01	4" H
CM 653-6-ESP-01	6" H

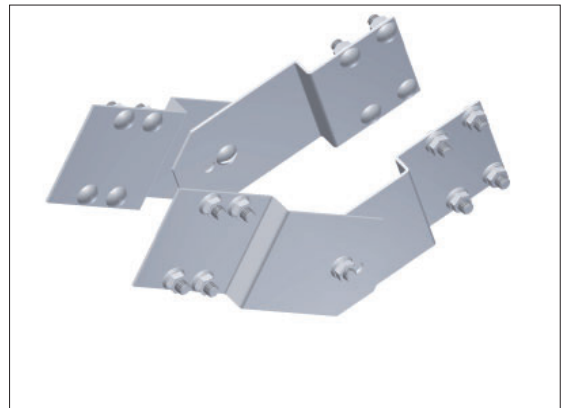
- Expansion plates allow for one inch expansion or contraction of the cable tray, or where expansion joints occur in the supporting structure
- Furnished in pairs with hardware
- Bonding jumpers are required on each side-rail (order separately)



Vertical Adjustable Splice Plates

Part Number	Size
CM 653-4-VASP-01	4" H
CM 653-6-VASP-01	6" H

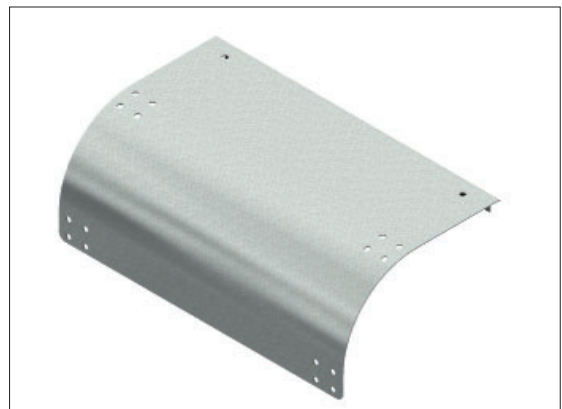
- Provides for changes in elevation that do not conform to standard vertical fittings
- Furnished in pairs with hardware
- Bonding jumper not required



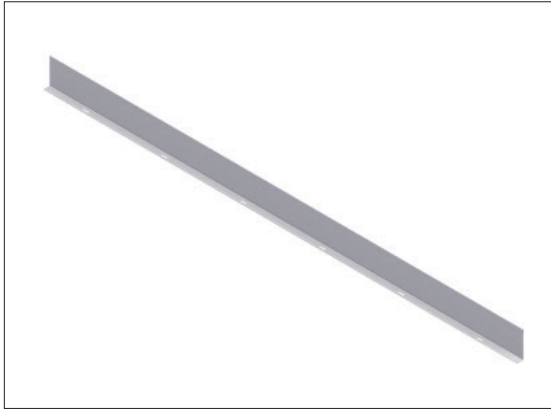
Cable Drop-Out

Part Number	Size
CM 653-TO-T-06	6" W
CM 653-TO-T-09	9" W
CM 653-TO-T-12	12" W
CM 653-TO-T-18	18" W
CM 653-TO-T-24	24" W
CM 653-TO-T-30	30" W
CM 653-TO-T-36	36" W

- These components provide a rounded surface to protect cable as it exits from the cable tray
- Hardware is included



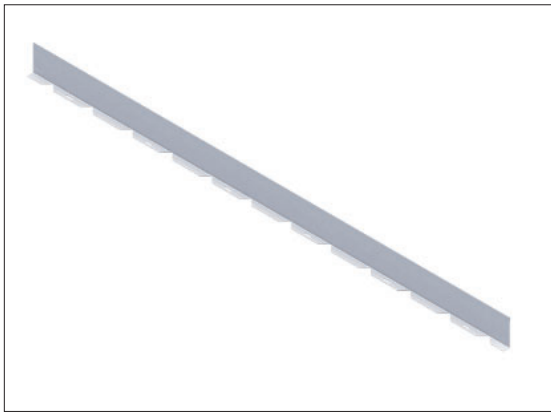
653 Aluminum Cable Tray Accessories



Tray Divider, Straight Section

Part Number	Size
CM 653-4-DG	4" H
CM 653-6-DG	6" H

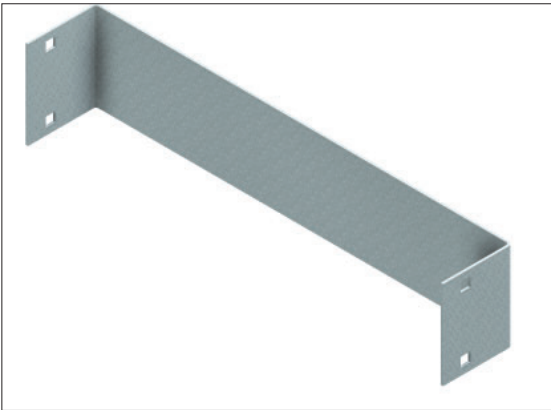
- These components create a vertical barrier when installed into the cable tray straight section
- Furnished with three #10 x 1/2" zinc plated self-drilling screws
- Standard length is 60" (5 ft.)
- Sold individually



Tray Divider, Horizontal Bend

Part Number	Size
CM 653-4-DG-H	4" H
CM 653-6-DG-H	6" H

- Horizontal bend barriers are flexible in order to conform to any horizontal radius
- Cut to length
- Furnished with three #10 x 1/2" zinc plated self-drilling screws
- Standard length is 60" (5 ft.)
- Sold individually

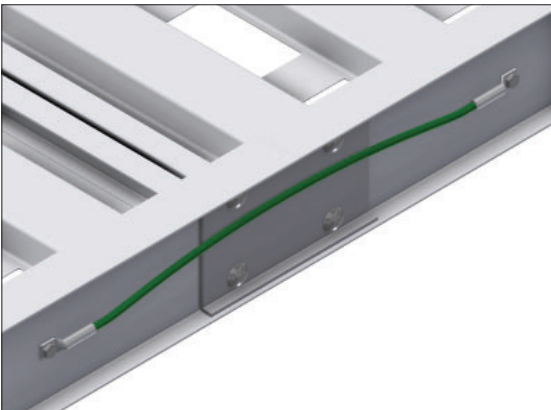


End Cap

Part Number	Size
CM 653-4-X-EC	4" H
CM 653-6-X-EC	6" H

- Creates a barrier at the terminal end on the cable tray run
- Furnished with installation hardware
- Sold Individually

X DENOTES WIDTH OF TRAY



Bonding Jumper

Part Number	Copper Wire Size	Ampacity
CM BJ-1	#1	600
CM BJ-4/0	4/0	1600
CM BJ-250	250 MCM	2000

- Use at each expansion splice and where the cable tray is not mechanically/electrically continuous to ground
- Installation hardware included
- Bonding jumper is 16" long
- Sold individually

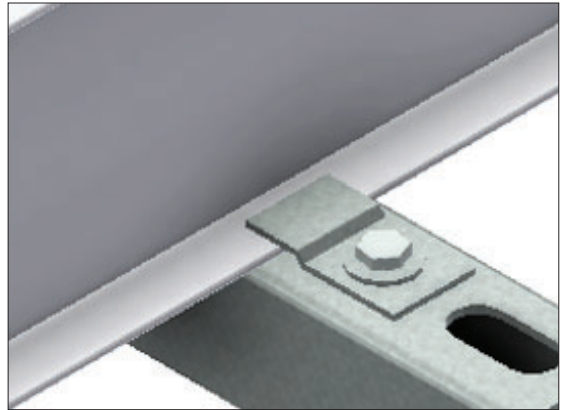
653 Aluminum Cable Tray Accessories

Cable Tray Clamp Kit

Part Number	Size
CM 653-TCK	3/8" Bolt

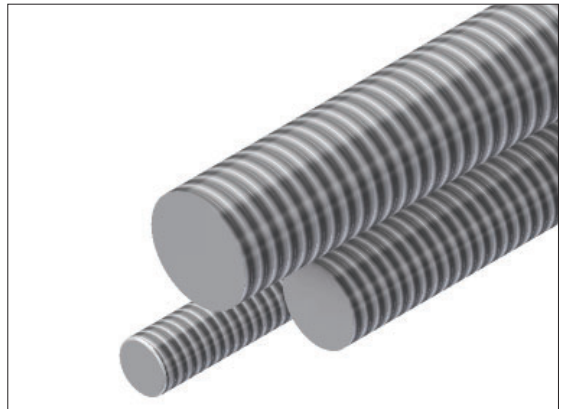
Kit Contains

- (2) 1/4" Hex bolts
- (2) Clamps



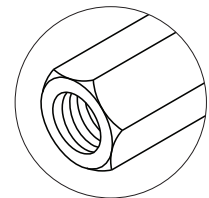
Threaded Rod

Part Number	Clear Zinc Plated Threaded Rod
TR-1-G	3/8" - 16 x 1'
TR-2-G	3/8" - 16 x 2'
TR-3-G	3/8" - 16 x 3'
TR-4-G	3/8" - 16 x 4'
TR-5-G	3/8" - 16 x 5'
TR-6-G	3/8" - 16 x 6'
TR-8-G	3/8" - 16 x 8'
TR-10-G	3/8" - 16 x 10'
TR-1/2-1-G	1/2" - 13 x 1'
TR-1/2-2-G	1/2" - 13 x 2'
TR-1/2-3-G	1/2" - 13 x 3'
TR-1/2-4-G	1/2" - 13 x 4'
TR-1/2-5-G	1/2" - 13 x 5'
TR-1/2-6-G	1/2" - 13 x 6'
TR-1/2-8-G	1/2" - 13 x 8'
TR-1/2-10-G	1/2" - 13 x 10'
TR-5/8-1-G	5/8" - 11 x 1'
TR-5/8-2-G	5/8" - 11 x 2'
TR-5/8-3-G	5/8" - 11 x 3'
TR-5/8-4-G	5/8" - 11 x 4'
TR-5/8-5-G	5/8" - 11 x 5'
TR-5/8-6-G	5/8" - 11 x 6'
TR-5/8-8-G	5/8" - 11 x 8'
TR-5/8-10-G	5/8" - 11 x 10'



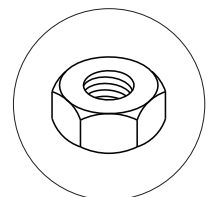
Rod Coupling

Part Number	Size
CM RC-38	3/8"
CM RC-12	1/2"
CM RC-58	5/8"



Nuts

Part Number	Size
CM HN-38	3/8"
CM HN-12	1/2"
CM HN-58	5/8"



Loading based on safety factor 5. Standard Finish: Zinc plated
 • Bonding jumper not required

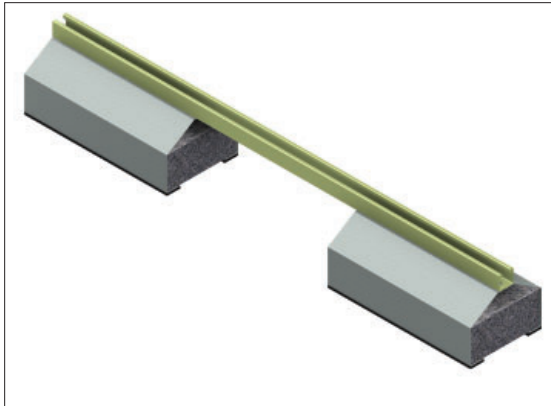
653 Aluminum Cable Tray Accessories



Trapeze Support Kit

Part Number	Tray	Channel
CM 653-TS-06	6" W	14" L
CM 653-TS-09	9" W	16" L
CM 653-TS-12	12" W	20" L
CM 653-TS-18	18" W	26" L
CM 653-TS-24	24" W	32" L
CM 653-TS-30	30" W	38" L
CM 653-TS-36	36" W	44" L

- Provides the necessary components for a single trapeze support in one kit. These kits are available in pre-galvanized steel with zinc plated hardware
- The support bar provides convenient pre-punched slots, eliminating the need for field drilling
- The entire kit is sealed in a plastic bag and boxed with the channel, which is pre-cut to the appropriate length as shown in the chart
- Designed for use with 1/2" threaded rod (order rod separately)



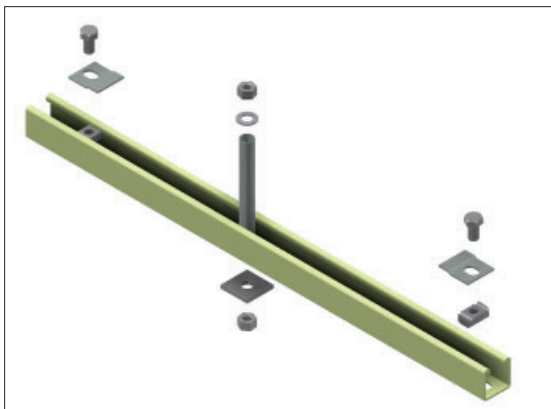
Rooftop Support Bases with Channel

Part Number	Size
CM 653-RS-28	5 5/8" H x 6" W x 28" L
CM 653-RS-36	5 5/8" H x 6" W x 36" L
CM 653-RS-42	5 5/8" H x 6" W x 42" L
CM 653-RS-50	5 5/8" H x 6" W x 50" L
CM 653-RS-60	5 5/8" H x 6" W x 60" L

- Designed for use as a rooftop support for cable tray
- Each support has rubberized pads on the underside of each leg to minimize any chaffing of the existing rooftop
- Can be used with any Snake Tray cable tray clamps and guides
- Ultimate Load Capacity: 1,000 lbs. (uniform load)

Center Hung Tray Support

Part Number	Height
CM 653-CS-18	18"
CM 653-CS-30	30"



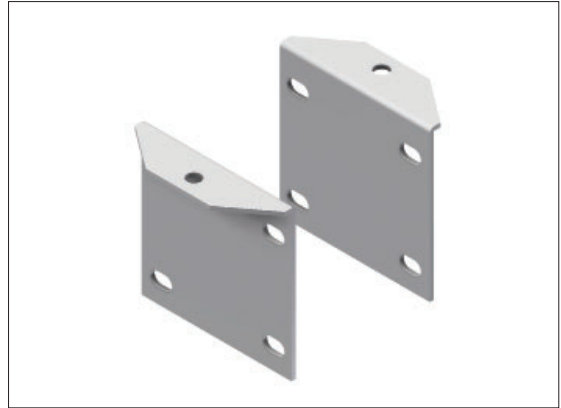
- Center Hung Cable Tray Support allows cable to be installed from both sides
- Eliminates costly cable pulling and field cutting of cable tray supports. Labor costs are drastically reduced
- Required hardware and threaded rod material for trapeze assemblies are reduced by 50%
- Designed for use with 1/2" threaded rod (order rod separately)
- Use with all aluminum and steel cable trays up to 24" in width
- Load capacity is 700 lbs. per support. Safety factor of 3
- Eccentric loading is not to exceed a 60% vs. 40% load differential
- The maximum recommended unsupported span length is 144"/12 ft. (3.66m)
- Furnished with installation hardware

653 Aluminum Cable Tray Accessories

Vertical Hanger Splice Plates

Part Number	Size
CM 653-4-VHSP	4" H
CM 653-6-VHSP	6" H

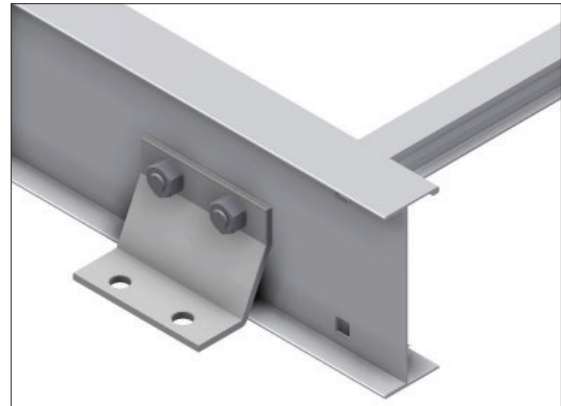
- Design Load is 1,500 lb/pair Safety factor of 2.5
- Furnished in pairs
- Designed for use with either 1/2" threaded rod (order rod separately)



Heavy Duty Hold-Down Bracket

Part Number
CM 653-HDB

- For 4" or 6" Aluminum Cable Tray
- Design load is 4,000 lb/pair
- Four bolt attachment
- Hardware to attach the bracket to the substrate sold separately
- Recommended for support of vertical pathways



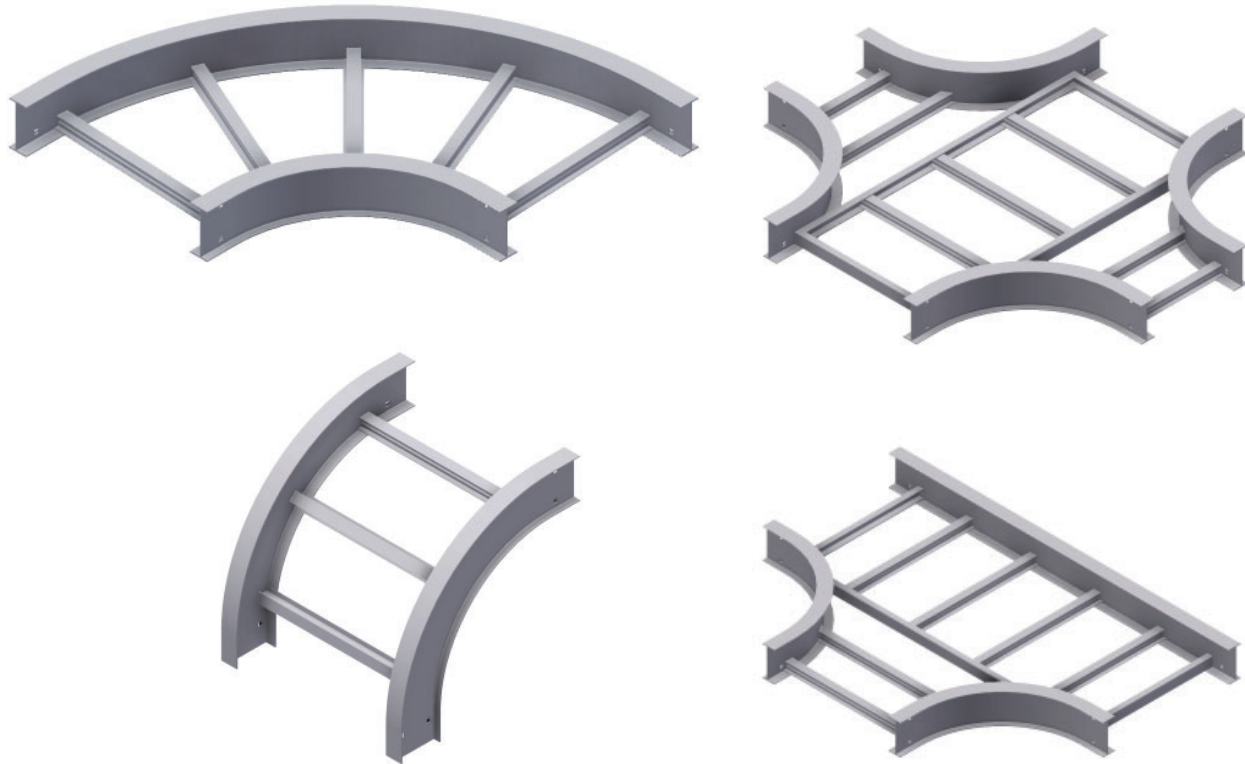
Triangle Wall Bracket

Part Number
CM 610-653-XX-WBN

XX DENOTES WIDTH OF TRAY



653 Aluminum Cable Tray Fittings

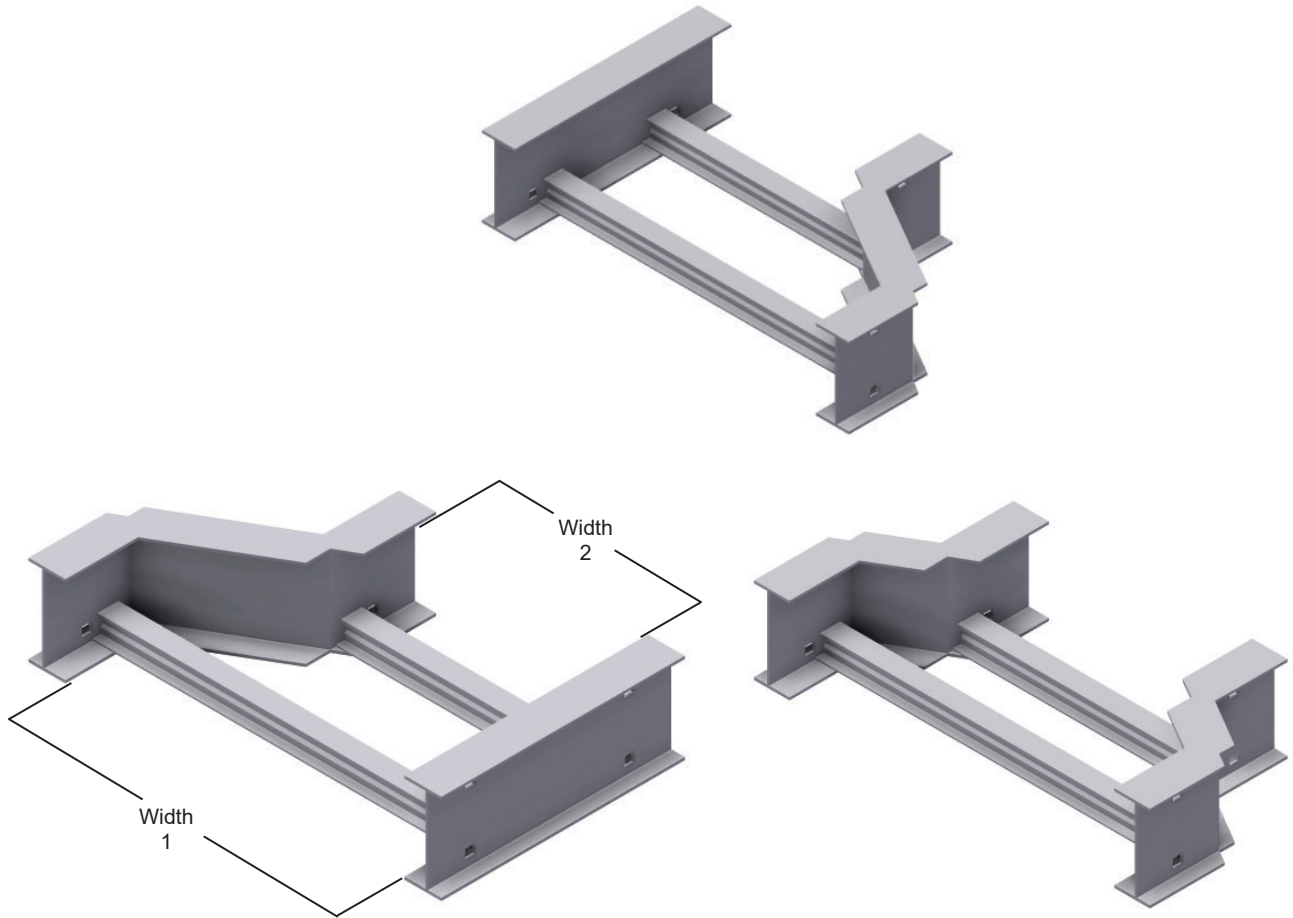


Fittings Part Numbering

Prefix
 Example: CM 653 - L09 - 4 - 12 - 90 - HB - 12

Series	Type/Description	Side Rail Height	Width	Degree	Bend Description	Inside Radius
CM 653	L06 = Ladder 6" Rung Spacing	4 = 4"	06 = 6"	11.5 °	HB = Horizontal Bend	12"
	L09 = Ladder 9" Rung Spacing	6 = 6"	09 = 9"	22.5 °	HT = Horizontal Tee	24"
	L12 = Ladder 12" Rung Spacing		12 = 12"	30 °	HC = Horizontal Cross	36"
	VT = Vented Trough Tray		18 = 18"	45 °	VI = Vertical Inside Bend	
	ST = Non-Vented Trough Tray		24 = 24"	75 °	VO = Vertical Outside Bend	
			30 = 30"	90 °		
			36 = 36"			

653 Aluminum Cable Tray Reducers



Horizontal Reducers Part Numbering

Prefix
 Example: CM 653 - L09 - 4 - 09 - 18 - LR

Series	Type/Description	Side Rail Height	Width 1	Width 2	Fitting Code
CM 653	L06 = Ladder 6" Rung Spacing	4 = 4"	06 = 6"	06 = 6"	SR = Straight
	L09 = Ladder 9" Rung Spacing	6 = 6"	09 = 9"	09 = 9"	LR = Left Hand Reducer
	L12 = Ladder 12" Rung Spacing		12 = 12"	12 = 12"	RR = Right Hand Reducer
	VT = Vented Trough Tray		18 = 18"	18 = 18"	
	ST = Non-Vented Trough Tray		24 = 24"	24 = 24"	
			30 = 30"	30 = 30"	
				36 = 36"	



THE SNAKE TRAY ADVANTAGE

Snake Tray has revolutionized cable management, power distribution and enclosures with a variety of innovative products designed to install quickly, reduce labor and material costs, and significantly drive down the total cost of construction. All of our products are made in the USA and stocked throughout the USA to ship on time for our customers. Our engineers and sales teams stand ready to assist you with take offs, bill of materials and product solutions. Call us at 800-308-6788 to discuss your next project.



Snake Tray® Headquarters
291 Skip Lane | Bay Shore NY 11706 | USA
T: 800-308-6788 | 631-674-0004
Regional Operations: Chicago | Dallas | Reno
www.snaketray.com | MADE IN USA

Document No. MKTG-0225 February 2021 | © 2021 Snake Tray