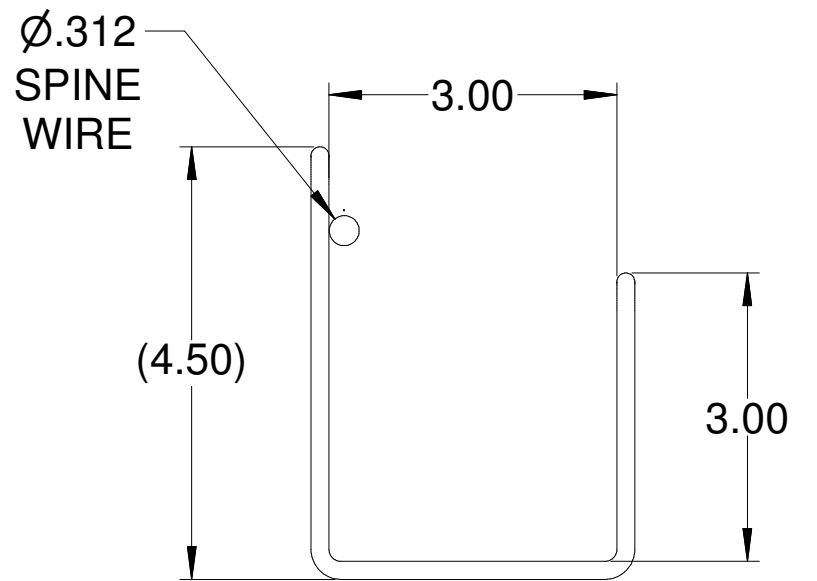
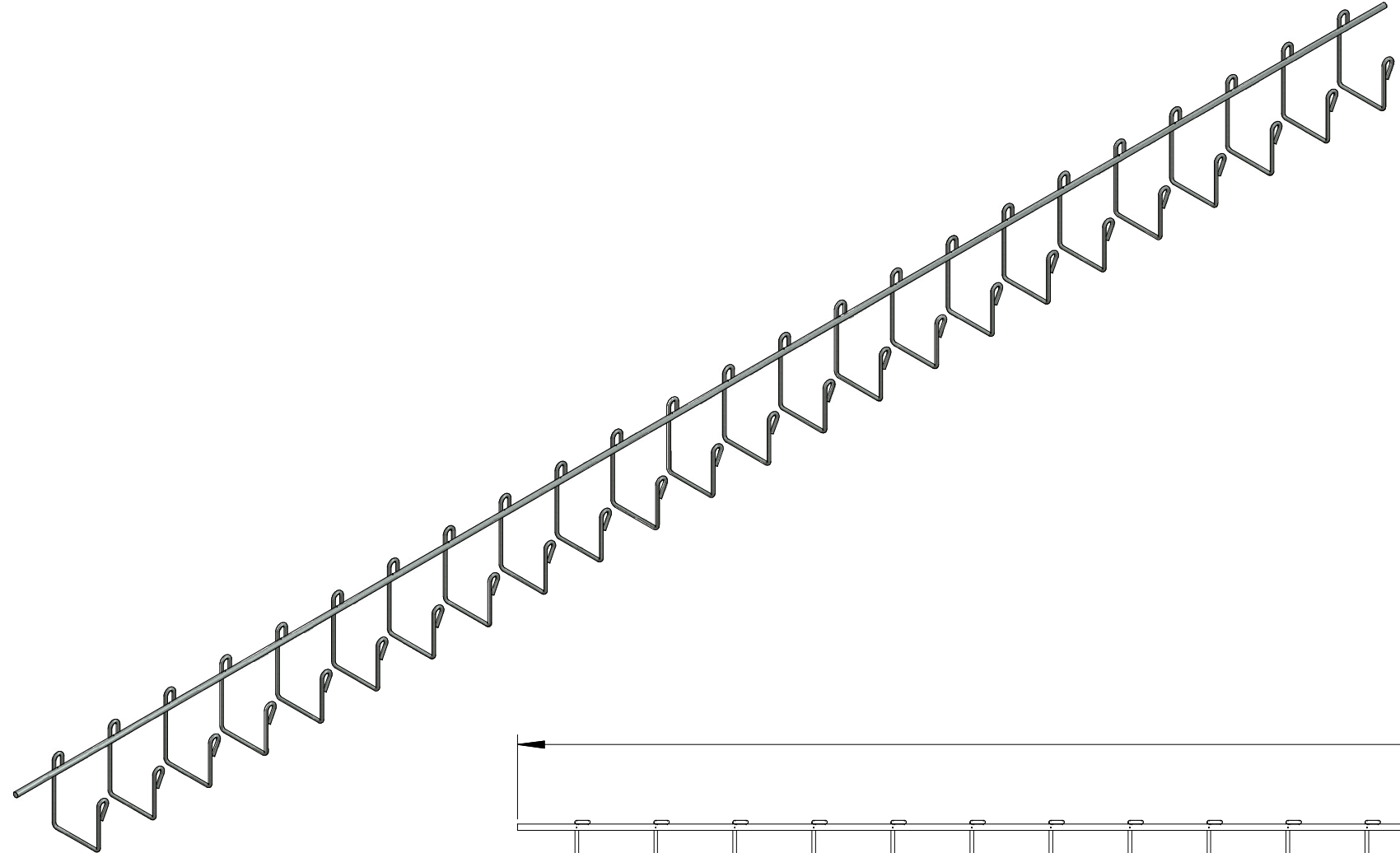
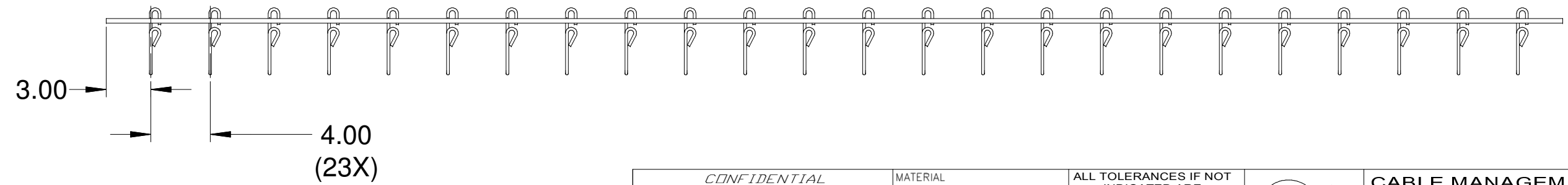
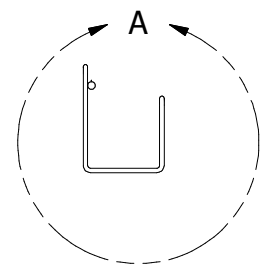
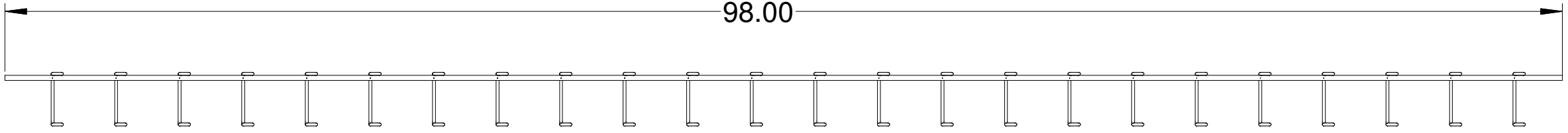



DWG NO: CM 501-3-8						
<b>REVISION</b>						
ZONE	REV	DESCRIPTION	ECN	DATE	APPR	ENG
	A	INITIAL RELEASE	10-0000	3/16/2010	RJ	WW



DETAIL A  
SCALE 1 : 1



<p><b>CONFIDENTIAL</b> THIS DRAWING IS THE SOLE PROPERTY OF, AND IS PROPRIETARY TO, CABLE MANAGEMENT SOLUTIONS, INC. THIS DRAWING AND/OR INFORMATION SHALL BE KEPT CONFIDENTIAL, AND MAY NOT BE REPRODUCED, MODIFIED, DISCLOSED, OR MADE AVAILABLE TO OTHERS, WITHOUT THE EXPRESS WRITTEN CONSENT OF SNAKETRAY.</p>	MATERIAL	ALL TOLERANCES IF NOT INDICATED ARE: FRACTIONS= ± 1/32TH .XX= ± .015 .XXX= ± .005 ANGULAR= ± 1/2 DEGREE		 <p><b>CABLE MANAGEMENT SOLUTIONS, INC.</b> 291 SKIP LANE BAY SHORE, NY 11706</p>			
	GALVANIZED	DRAWN BY	DATE		<p>TITLE: <b>WALL MOUNT SNAKE WAY, 3"</b></p>		
PATENTS	FINISH	CHECKED BY	DATE	SIZE		USED ON	DWG NO
<p>SNAKETRAY, SNAKE CANYON, WALL SNAKE AND LADDER SNAKE PRODUCTS ARE COVERED BY ONE OR MORE OF THE FOLLOWING PATENTS: #6,637,704, #6,637,165, #6,463,704, #6,460,812, #6,449,912, #6,361,000, #6,347,493, #6,019,323, #5,953,870, #5,839,702 AND AUS #737.813.</p>	TBD	E. RENZ	10/13/2011	D	501 SERIES	CM 501-3-8	
	NONE	ENGINEERING	DATE	SCALE	RELEASE DATE	SHEET	REV. NO
		R. JETTE	10/13/2011	NONE		1 OF 1	A