

---

INSTRUCTION BOOK FOR  
Model C With CSR  
(Controlled Screen Return)

---

**DA-LITE**<sup>®</sup>

# Installation

Screen may be mounted on a wall, suspended from ceiling or extension brackets. Wall screens must be mounted level and with the case-back parallel to the wall.

## Wall Mounting

1. Select fasteners of proper type for wall or ceiling involved.
2. Insert fasteners through proper openings provided in back side of end caps. See figure 1.

**NOTE: DO NOT** over tighten fasteners or damage may occur.

3. Attach screen securely to studding or other solid surface - never to plaster only.
4. MAKE SURE SCREEN IS MOUNTED LEVEL.

## Ceiling Mounting

1. Heavy screw hooks may be installed into wood joists. Other types of hooks or chain may be used for other ceilings or for stage installations.
2. Insert hooks or chain through proper openings provided in sides of end caps. Screen must hang so that flat back of case is perpendicular to floor.

**NOTE: DO NOT** hang from the end caps at an angle. See Figure 3.

3. Must be perpendicular to the mounting See Figure 4.

3. MAKE SURE SCREEN IS MOUNTED LEVEL.

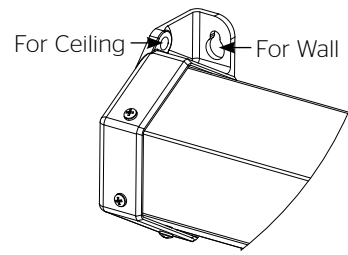


Figure 1

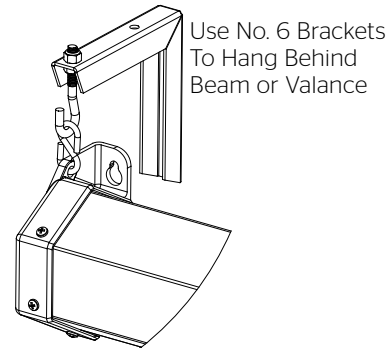


Figure 2

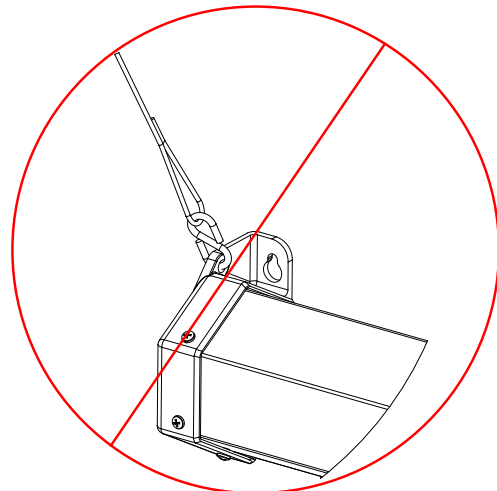


Figure 3

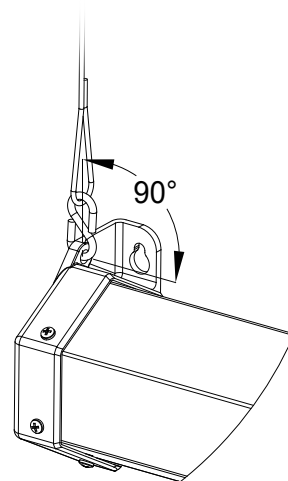


Figure 4

# Operating Instructions

## To Lower Picture Surface

Pull screen down all the way. HESITATE - then allow screen to retract VERY SLOWLY until it locks in place.

## To Raise Picture Surface

Pull down on the pull bail, then release quickly. The screen will retract gently into the case.

## To Adjust Retraction Speed (Screens 96" Wide and Under)

Use a large flat screwdriver to turn the adjustment knob on the right end of the screen (Figure 5). To increase the travel speed turn counterclockwise. To decrease the travel speed turn clockwise. Adjustments should be made in half turn increments and travel speed checked before adjusting further.

**NOTE:** This feature is not available on some large screen sizes. Call the factory for adjustment instructions.

Large picture surfaces are heavy and will start up too slowly to prevent the locking dog from catching unless help is provided, so keep picture surface moving briskly.

Should the locking dog catch, pull the picture surface down about 4 inches and start the surface up rapidly.

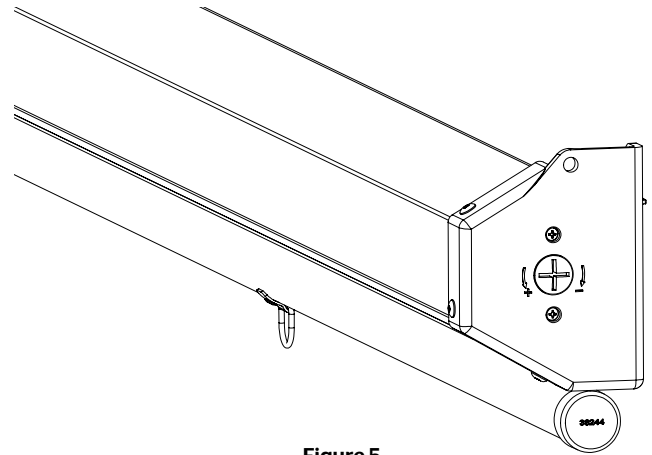


Figure 5

# Troubleshooting

Symptom	Cause	Solution (96" wide and under)	Solution (Over 96" wide)
<b>Screen is retracting too slowly. Over 8 seconds retracting from the bottom into the case.</b>	The CSR adjustment is not correct.	See adjust retraction speed section.	Retract screen completely, and then rotate CSR shaft 1/2 turn at a time counterclockwise.
<b>Screen is retracting too fast. Under 3 seconds retracting from the bottom into the case.</b>	The CSR adjustment is not correct.	See adjust retraction speed section.	Retract screen completely, and then rotate CSR shaft 1/2 turn at a time clockwise.
<b>Screen is retracting too slowly, and then slams the case when adjusted counterclockwise.</b>	The CSR unit (shock absorber) is too strong.	Reset the CSR unit. Call Da-Lite (800-622-3737) for detailed instructions.	
<b>Screen does not retract.</b>	Retraction procedure*.	Pull the screen down, and then retract firmly and quickly.	
	The CSR has been over adjusted counterclockwise.	Turn adjustment knob one quarter turn counterclockwise.	The CSR unit is jammed. Reset or replace the CSR unit. Call Da-Lite (800-622-3737) for detailed instructions.
	The roller tube is bent and binding.	Replace the screen.	
<b>Screen does not stay down.</b>	Locking procedure.	Pull the screen down, and then slowly retract until it locks.	
	Dog is not locking.	Retract screen completely, and then rotate CSR shaft 1/2 turn counterclockwise.	

## LIMITED ONE YEAR WARRANTY ON DA-LITE PRESENTATION PRODUCTS

Milestone AV Technologies LLC warrants certain Da-Lite branded products to the original purchaser only, to be free from defects in materials and workmanship for a period of one (1) year from the date of purchase by the original purchaser; provided they are properly operated according to Da-Lite's instructions and are not damaged due to improper handling or treatment after shipment from the factory.

This warranty does not apply to equipment showing evidence of misuse, abuse or accidental damage, or which has been tampered with or repaired by a person other than authorized Da-Lite personnel.

Da-Lite's sole obligation under this warranty shall be to repair or to replace (at Da-Lite's option) the defective part of the merchandise. Returns for service should be made to your Da-Lite dealer. If it is necessary for the dealer to return the screen or part to Da-Lite, transportation expenses to and from Da-Lite are payable by the purchaser and Da-Lite is not responsible for damage in shipment. To protect yourself against damage or loss in transit, insure the product and prepay all transportation expenses.

**TO THE MAXIMUM EXTENT PERMITTED BY APPLICABLE LAW, THIS WARRANTY IS IN LIEU OF ALL OTHER WARRANTIES, EXPRESS OR IMPLIED, INCLUDING WARRANTIES AS TO FITNESS FOR USE AND MERCHANTABILITY.** Any implied warranties of fitness for use, or merchantability, that may be mandated by statute or rule of law are limited to the one (1) year warranty period. This warranty gives you specific legal rights, and you may also have other rights, which vary from state-to-state. **TO THE MAXIMUM EXTENT PERMITTED BY APPLICABLE LAW, NO LIABILITY IS ASSUMED FOR EXPENSES OR DAMAGES RESULTING FROM INTERRUPTION IN OPERATION OF EQUIPMENT, OR FOR INCIDENTAL, DIRECT, OR CONSEQUENTIAL DAMAGES OF ANY NATURE.**

In the event that there is a defect in materials or workmanship of a Da-Lite product, you may contact our Customer Care Specialists at 3100 North Detroit Street, Warsaw, IN 46582, (574) 267-8101, (800) 622-3737.

**IMPORTANT: THIS WARRANTY SHALL NOT BE VALID AND DA-LITE BRANDED PRODUCTS SHALL NOT BE BOUND BY THIS WARRANTY IF THE PRODUCT IS NOT OPERATED IN ACCORDANCE WITH THE DA-LITE WRITTEN INSTRUCTIONS.**

Keep your sales receipt to prove the date of purchase and your original ownership.



FOR YOUR IMAGE | [legrandav.com](http://legrandav.com)

USA	P 866.977.3901	E <a href="mailto:av.da-lite.support@legrand.com">av.da-lite.support@legrand.com</a>
CANADA	P 877.345.4329	E <a href="mailto:av.da-lite.support@legrand.com">av.da-lite.support@legrand.com</a>
EMEA	P +31 495 580 840	E <a href="mailto:av.emea.sales@legrand.com">av.emea.sales@legrand.com</a>
APAC	P +852 2145 4099	E <a href="mailto:av.asia.sales@legrand.com">av.asia.sales@legrand.com</a>

© 2020 Legrand AV Inc. DL-0.273 (REV 4) 6/20 Da-Lite is a registered trademark of Legrand AV Inc. All other brand names or marks are used for identification purposes and are trademarks of their respective owners. All patents are protected under existing designations. Other patents pending.



COMMERCIAL BRANDS

Chief | Da-Lite | Middle Atlantic | Projecta | Vaddio