

# GV-G Series IP Camera Mount

---

## *Installation Guide*

- GV-Mount211-4 / 211-6 / 211-8 / 211-9
- GV-Mount506 / 506-1
- GV-Mount507 / 507-1
- GV-Mount509
- GV-Mount510
- GV-Mount925

Before attempting to connect or operate this product,  
please read these instructions carefully and save this manual for future use.



© 2024 GeoVision, Inc. All rights reserved.

Under the copyright laws, this manual may not be copied, in whole or in part, without the written consent of GeoVision.

Every effort has been made to ensure that the information in this manual is accurate. GeoVision, Inc. makes no expressed or implied warranty of any kind and assumes no responsibility for errors or omissions. No liability is assumed for incidental or consequential damages arising from the use of the information or products contained herein. Features and specifications are subject to change without notice.

GeoVision, Inc.  
9F, No. 246, Sec. 1, Neihu Rd.,  
Neihu District, Taipei, Taiwan  
Tel: +886-2-8797-8377  
Fax: +886-2-8797-8335  
<http://www.geovision.com.tw>

Trademarks used in this manual: *GeoVision*, the *GeoVision* logo and *GV* series products are trademarks of GeoVision, Inc. *Windows* is the registered trademark of Microsoft Corporation.

July 2024

**Scan the following QR codes for product warranty and technical support policy:**



[Warranty]



[Technical Support Policy]

# Contents

- Preface ..... 1
- 1. Wall Mount Bracket GV-Mount211-4 ..... 2
- 2. Wall Mount Bracket GV-Mount211-6 / 211-8 ..... 6
- 3. Wall Mount Bracket GV-Mount211-9 ..... 10
- 4. Junction Box GV-Mount506 / 506-1 ..... 14
- 5. Junction Box GV-Mount507 ..... 18
- 6. Junction Box GV-Mount507-1 ..... 21
- 7. Junction Box GV-Mount510 ..... 24
- 8. In-Ceiling Mounting Bracket GV-Mount925 ..... 26

## Preface

Welcome to the *GV-G Series IP Camera Mount Installation Guide*.

This Installation Guide is designed for the following models:

Model	Model Number
Bullet IP Camera	GV-GBL12811
	GV-GBLF2802
	GV-GBL4900 / GBL4911
Fixed Rugged IP Dome	GV-GDR4900
Eyeball Dome	GV-GEB4900 / GEBF4911
Vandal Proof IP Dome	GV-GVD4910

## 1. Wall Mount Bracket GV-Mount211-4



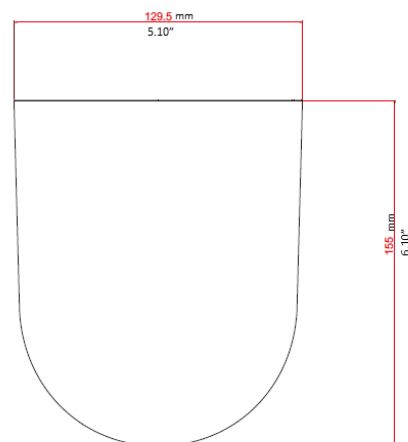
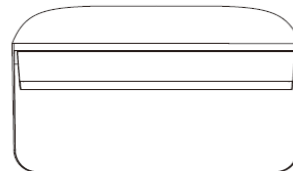
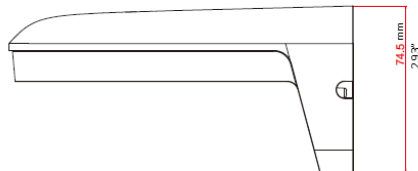
### Packing List

1. GV-Mount211-4	2. Short screw (4 x10 mm) x 4
3. Long screw (4 x 25 mm) x 4	4. Colloidal particle x 4
5. Hex Key	6. Drill Template Paster

### Applicable Models

- GV-GDR4900 / GEBF4911 / GEB4900

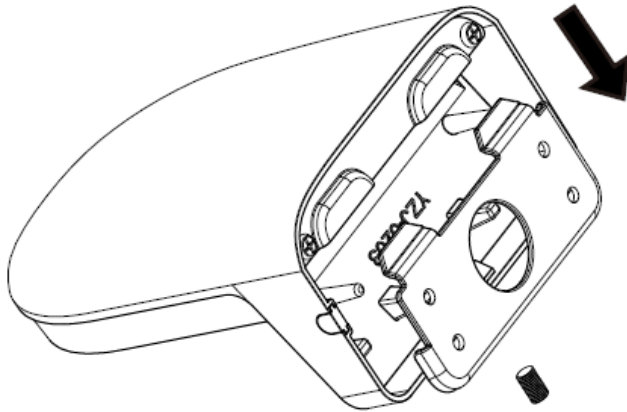
### Dimensions



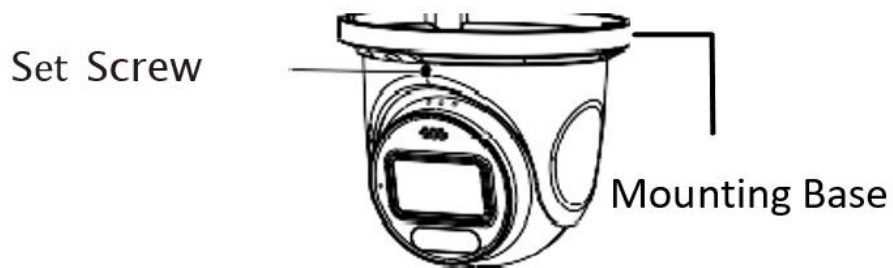
## Installation

Before installation, make sure that the wall is strong enough to withstand 3 times the weight of the brackets and the camera. The steps below take straight cable outlet from the wall for example.

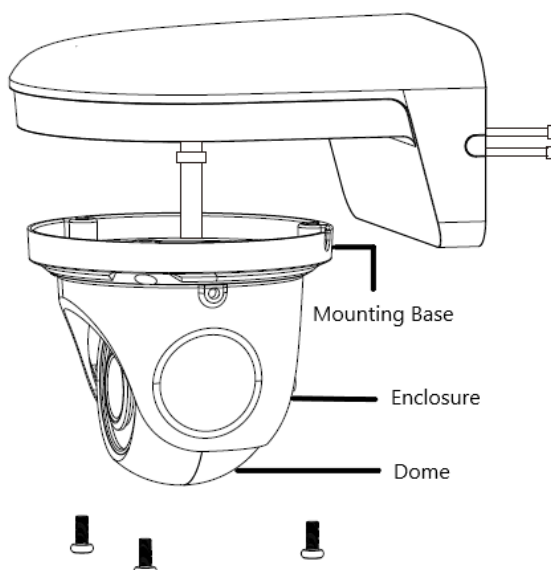
1. Unscrew and remove the mounting base of GV-Mount211-4.



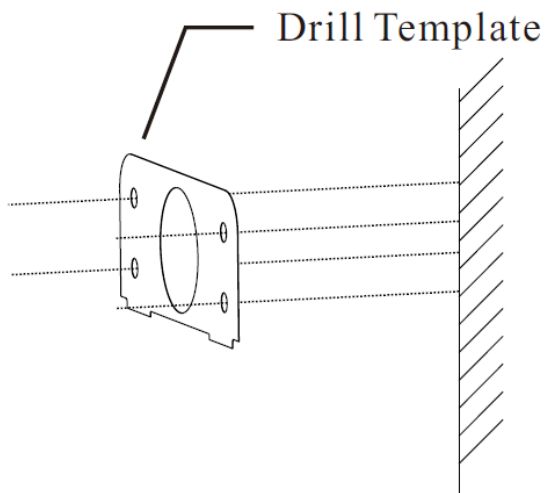
2. Loosen the set screw and detach the mounting base of the camera.



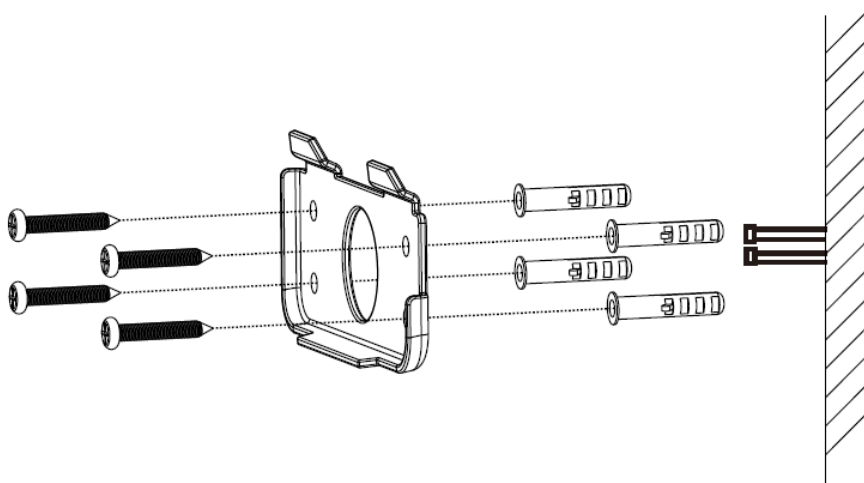
3. Secure the camera's mounting base to GV-Mount211-4, and install the dome and enclosure to the camera's mounting base.



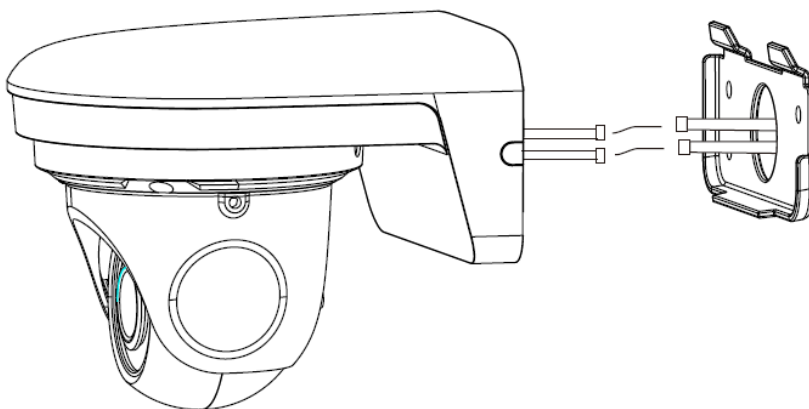
4. Drill the screw holes on the wall according to the drill template.



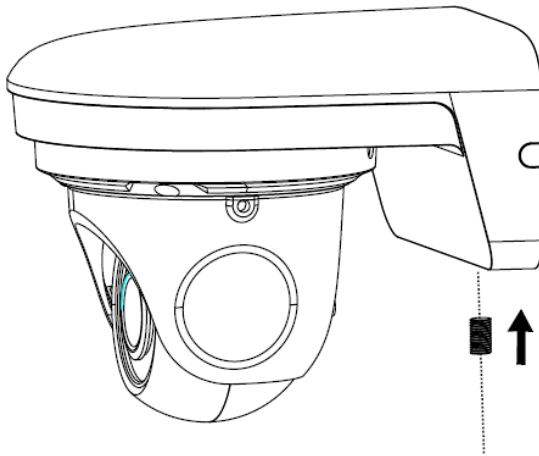
5. Secure the mounting base of GV-Mount211-4 to the wall.



6. Route the cables through the cable hole and connect the cables.



7. Fix GV-Mount211-4 to its mounting base on the wall.





## 2. Wall Mount Bracket GV-Mount211-6 / 211-8



### Packing List

1. GV-Mount211-6 / 211-8	2. Screw (3 x 6 mm) x 2
3. Screw (6 x 12 mm) x 4	4. Screw (4 x 25 mm) x 3
5. Waterproof ring x 4	6. Plastic case (6 x 29) x 3
7. Drill Template Paster	

### Applicable Models

- **GV-Mount211-6:** GV-GEBF4911
- **GV-Mount211-8:** GV-GEB4900

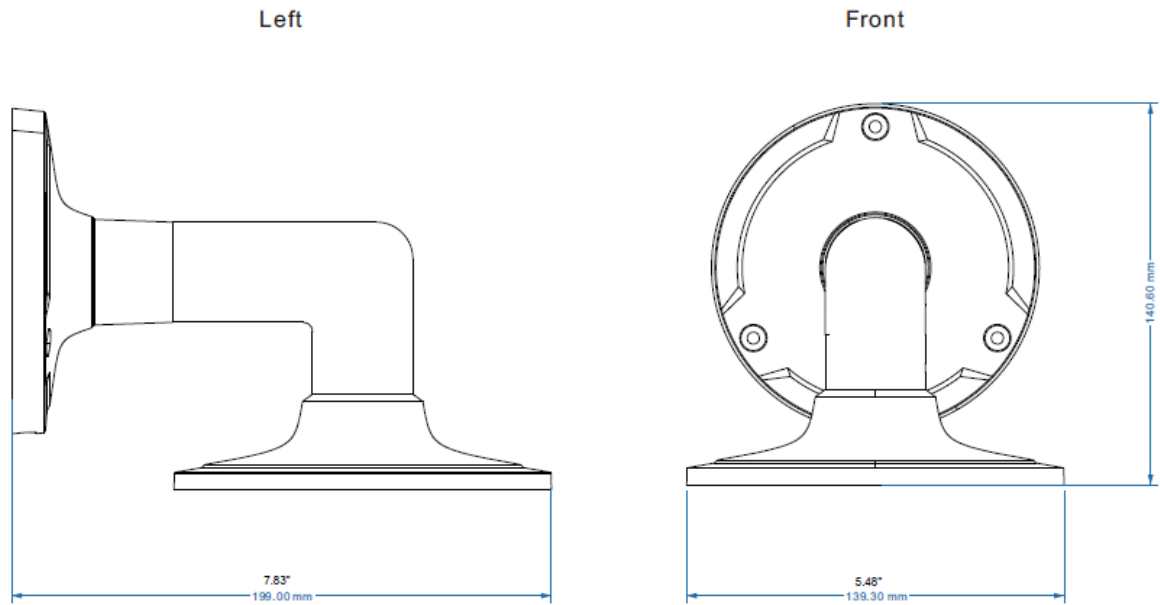
---

**Note:** GV-Mount211-6 / 211-8 must be used with GV-Mount506.

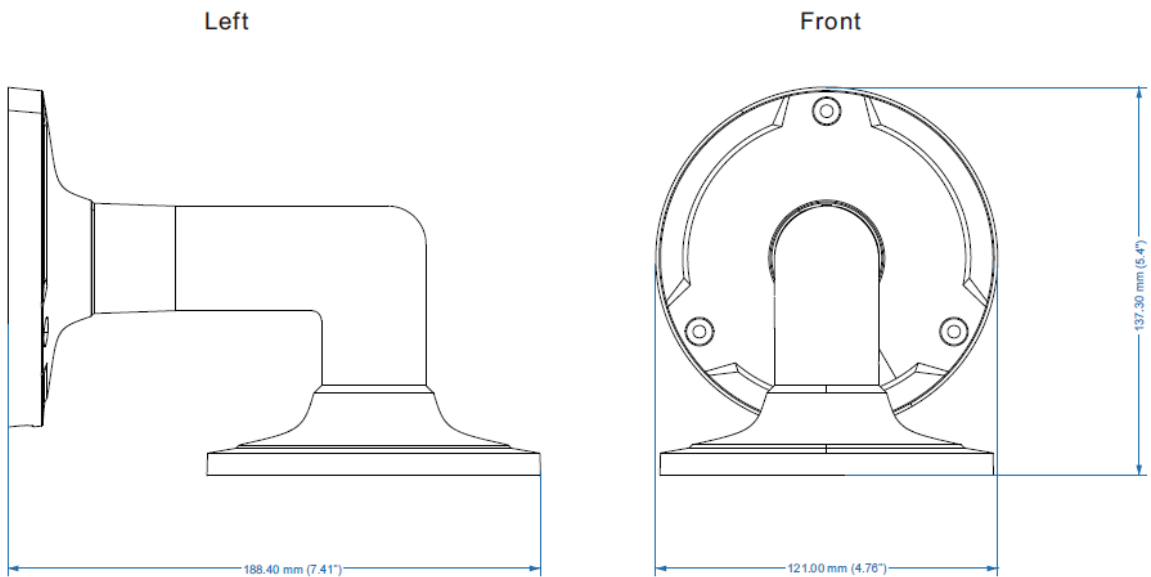
---

## Dimensions

### Mount211-6

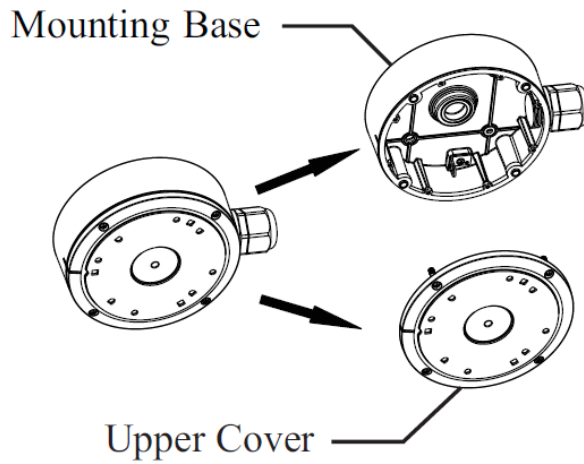


### Mount211-8

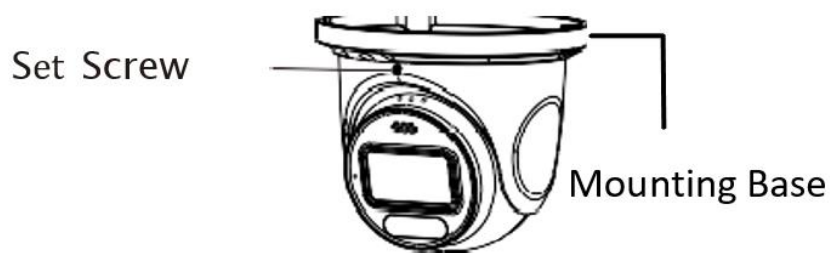


## Installation

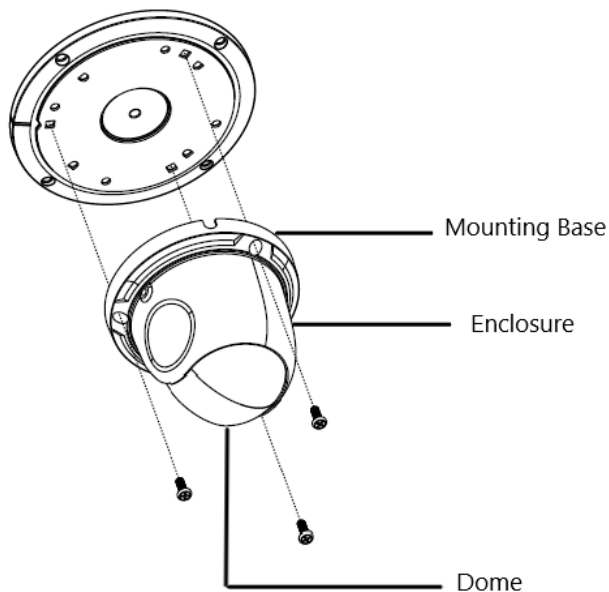
1. Open the mounting base and the upper cover of GV-Mount506.



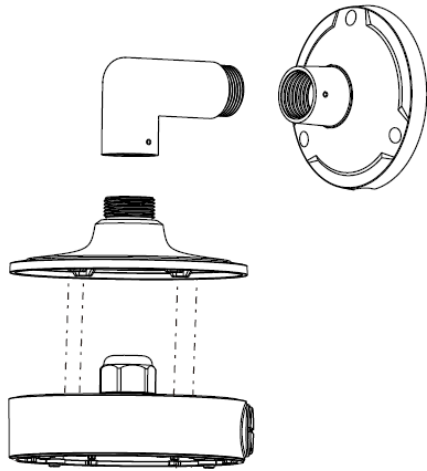
2. Loosen the set screw and detach the mounting base of the camera.



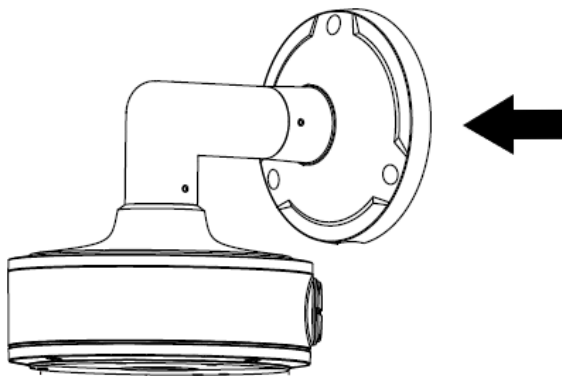
3. Secure the camera's mounting base to the upper cover of GV-Mount506, and install the dome and enclosure to the camera's mounting base.



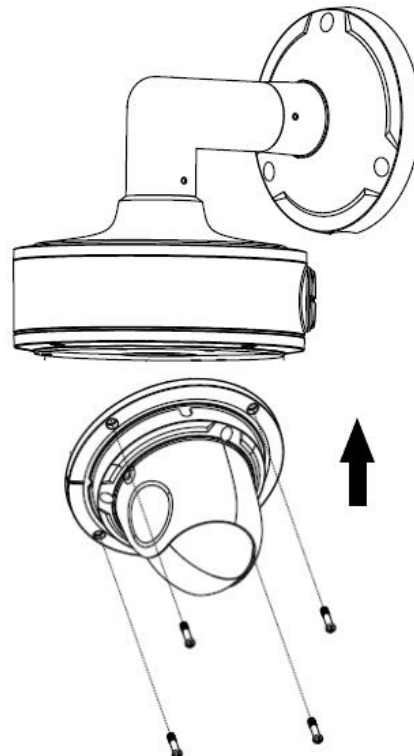
4. Assemble GV-Mount211-6 / 211-8, and fix the mounting base of GV-Mount506 to GV-Mount211-6 / 211-8.



5. Route the cables through the cable hole of GV-Mount211-6 / 211-8 and connect the cables.



6. Secure the camera mounted with the upper cover of GV-Mount506 to GV-Mount211-6 / 211-8.



7. Secure the camera mounted with the upper cover of GV-Mount506 to GV-Mount211-6 / 211-8.
8. Secure GV-Mount211-6 / 211-8 to the wall.

### 3. Wall Mount Bracket GV-Mount211-9



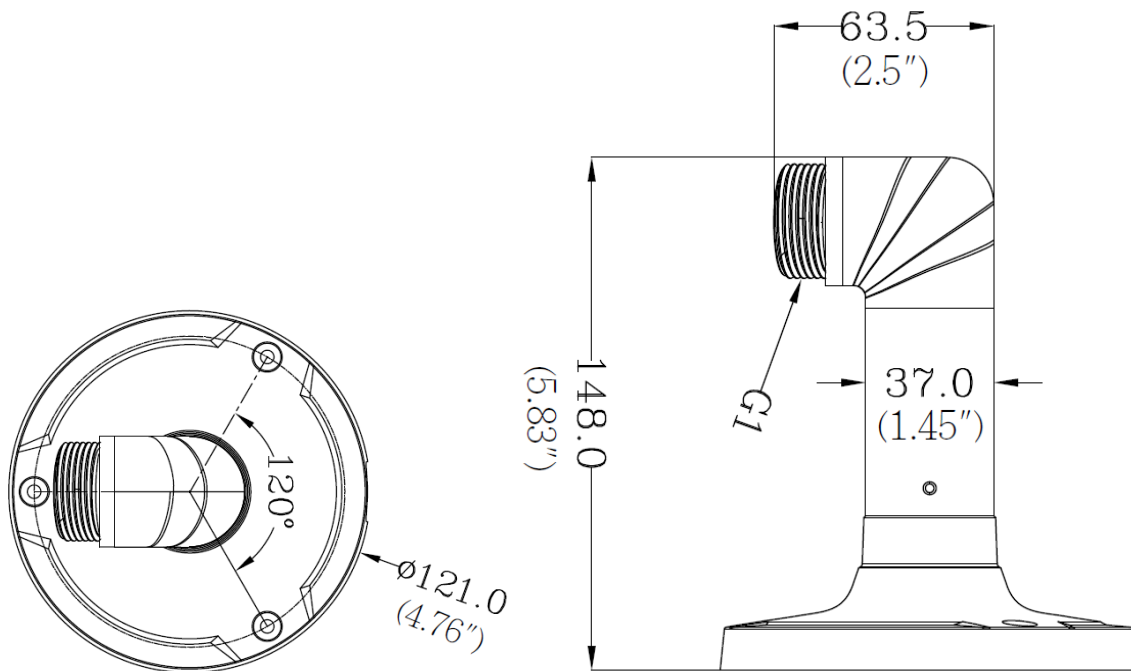
#### Packing List

1. GV-Mount211-8	2. Screw (3 x 6 mm) x 2
3. Screw (4 x 12 mm) x 4	4. Screw (4 x 25 mm) x 3
5. Waterproof ring x 4	6. Plastic case (6 x 29) x 3
7. Drill Template Paster	

#### Applicable Models

- **GV-GDR4900:** GV-Mount211-9 must be used with GV-Mount509
- **GV-GBLF2802:** GV-Mount211-9 must be used with GV-Mount507-1

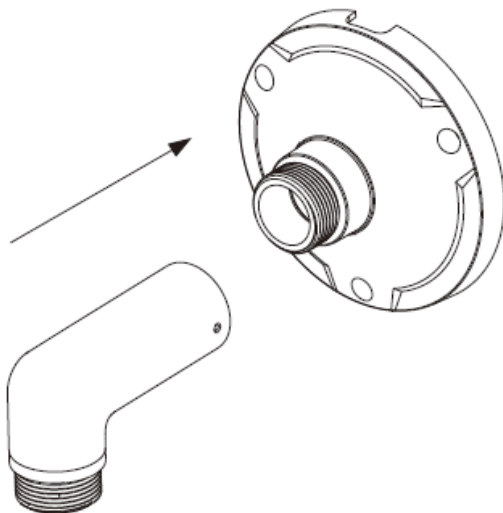
## Dimensions



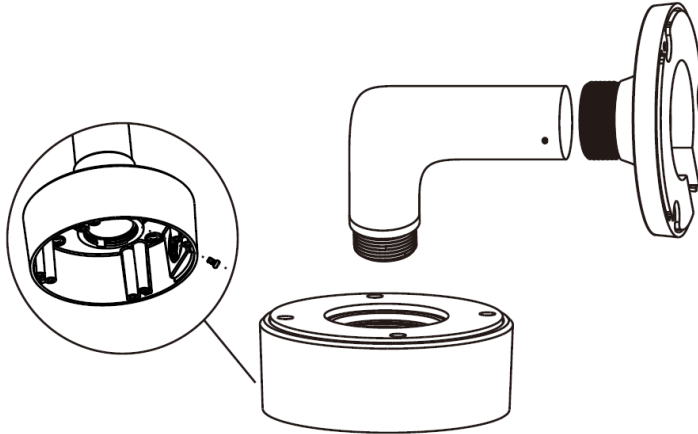
## Installation

The following illustrations use GV-GDR4900 and GV-Mount509 as an example.

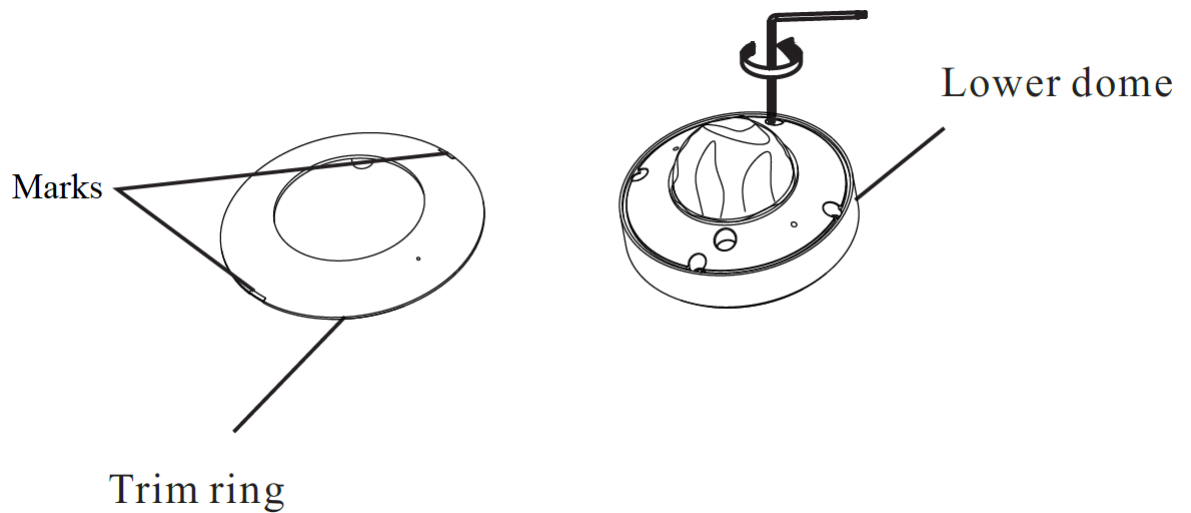
1. Assemble GV-Mount211-9.



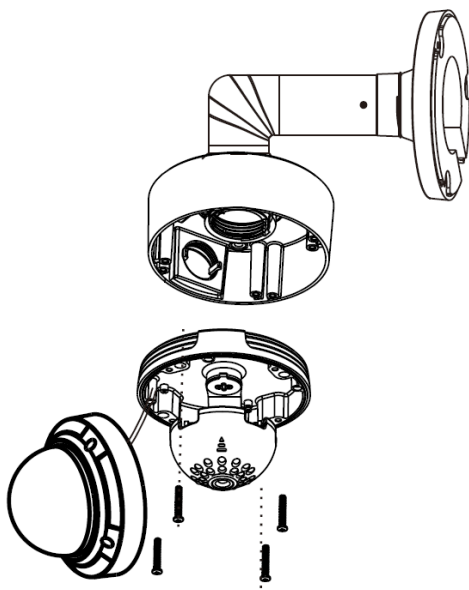
- Secure GV-Mount509 with GV-Mount211-9.



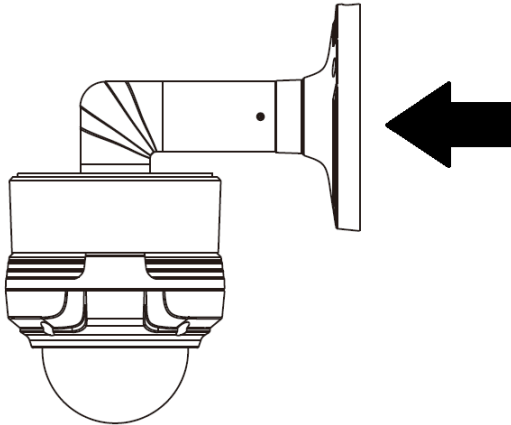
- Use two fingers to remove the trim ring of the camera from the rim with marks. Then loosen the screws to open the lower dome.



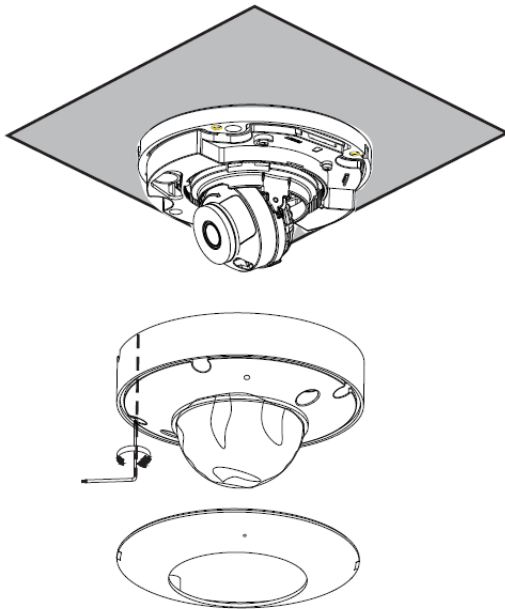
- Attach the camera base to GV-Mount509.



5. Route the cables through the cable hole of GV-Mount211-9 and connect the cables.



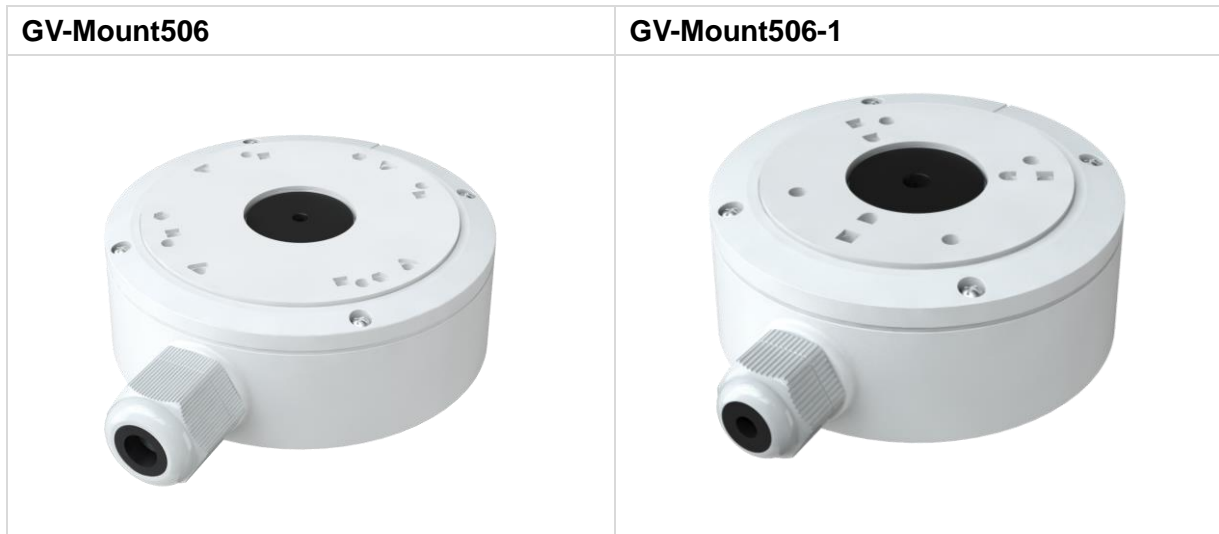
6. Put the trim ring back onto the lower dome and assemble the camera.



7. Secure GV-Mount211-9 to the wall.



## 4. Junction Box GV-Mount506 / 506-1



### Packing List

#### GV-Mount506

1. GV-Mount506	2. Plastic case (7 x 42 mm) x 4
3. Short screw (4 x 10 mm) x 4	4. Long screw (6.5 x 38 mm) x 4
5. Waterproof ring x 4	6. Drill Template Paster

#### GV-Mount506-1

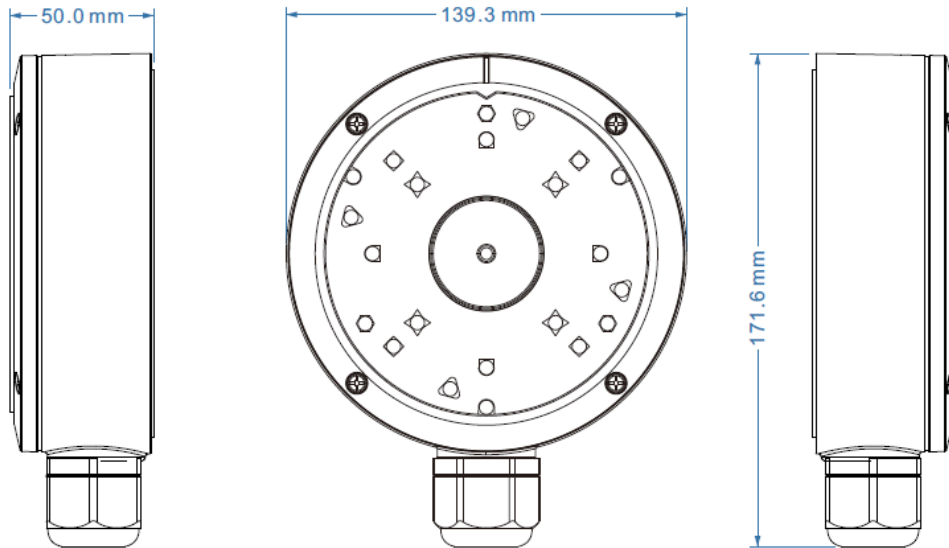
1. GV-Mount506-1	2. Plastic case (4 x 10 mm) x 4
3. Screw (4 x 25 mm) x 4	4. Waterproof ring x 5
5. Plastic case (6 x 29) x 4	6. Drill Template Paster

### Applicable Models:

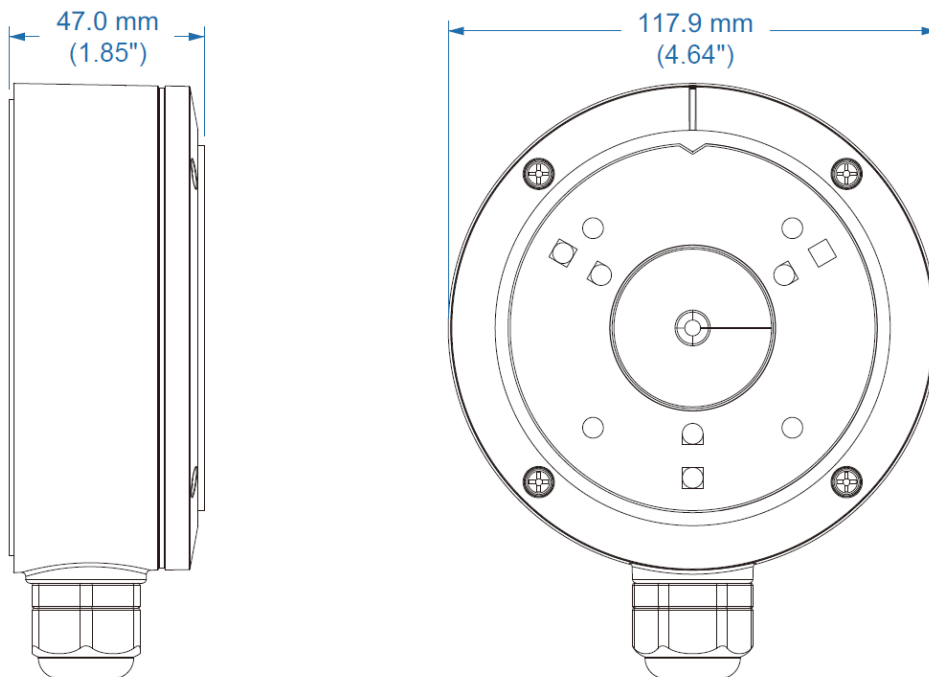
- **GV-Mount506:** GV-GBL12811, GV-GBL4900 / GEBF4911
- **GV-Mount506-1:** GV-GEB4900, GV-GBLF2802

## Dimensions

### GV-Mount506



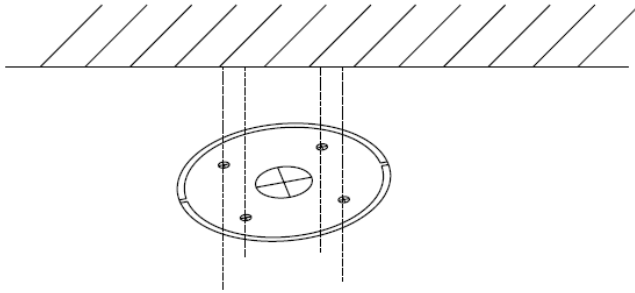
### GV-Mount506-1



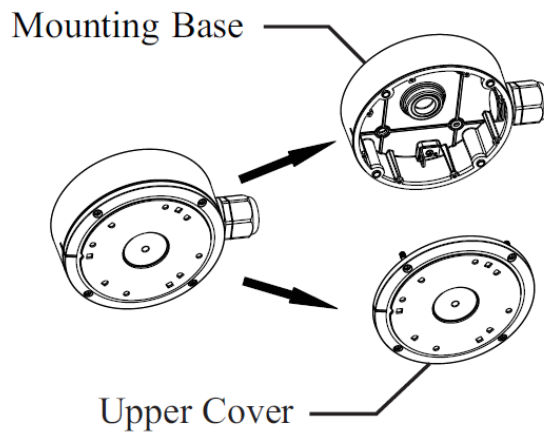
## Installation

Before installation, make sure that the wall is strong enough to withstand 3 times the weight of the junction box and camera. **The steps below use GV-GBL4900 / GEBF4911 as an example.**

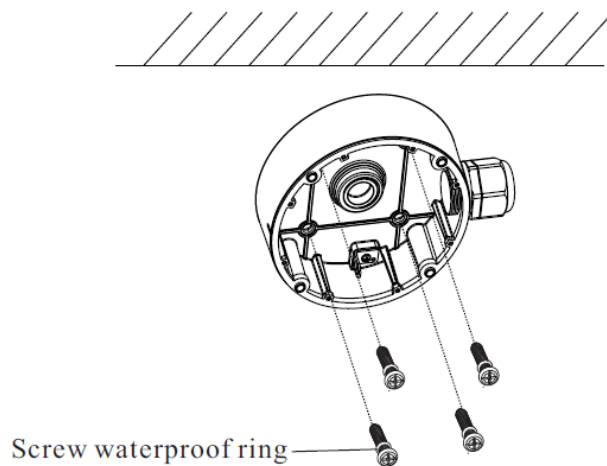
1. Drill the screw holes on the wall according to the drill template.



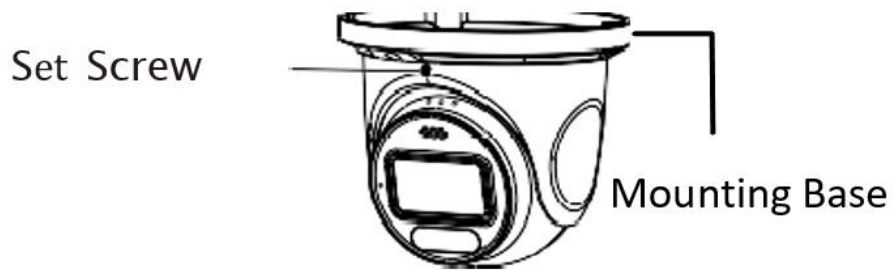
2. Open the mounting base and the upper cover of GV-Mount506.



3. Secure the mounting base of GV-Mount506 to the wall.

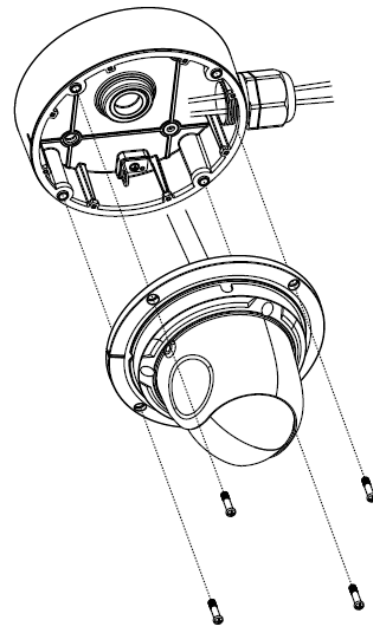
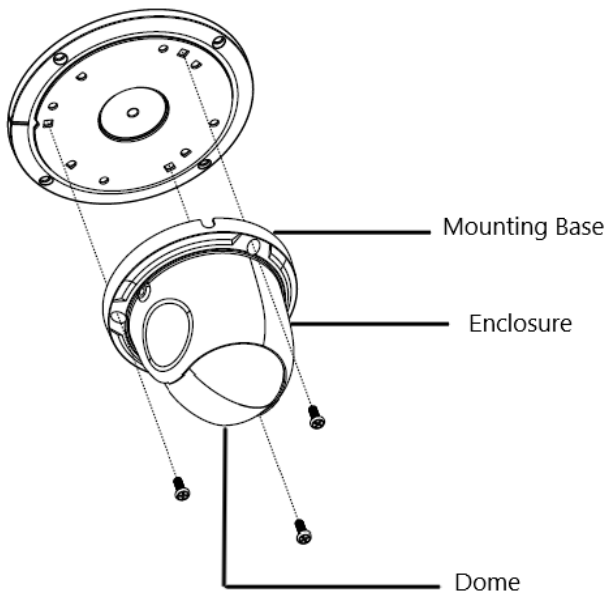


- Loosen the set screw and detach the mounting base of the camera.

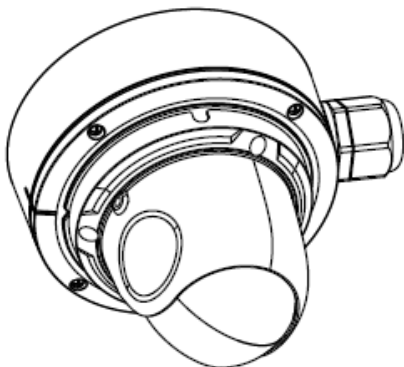


- Secure the camera's mounting base to the upper cover of GV-Mount506 first, and install the dome and enclosure to the camera's mounting base.

- Route the cables through the cable hole (take side conduit cabling for example) and connect the cables. Then reinstall the upper cover on GV-Mount506.



- Adjust the view angle of the camera.



## 5. Junction Box GV-Mount507



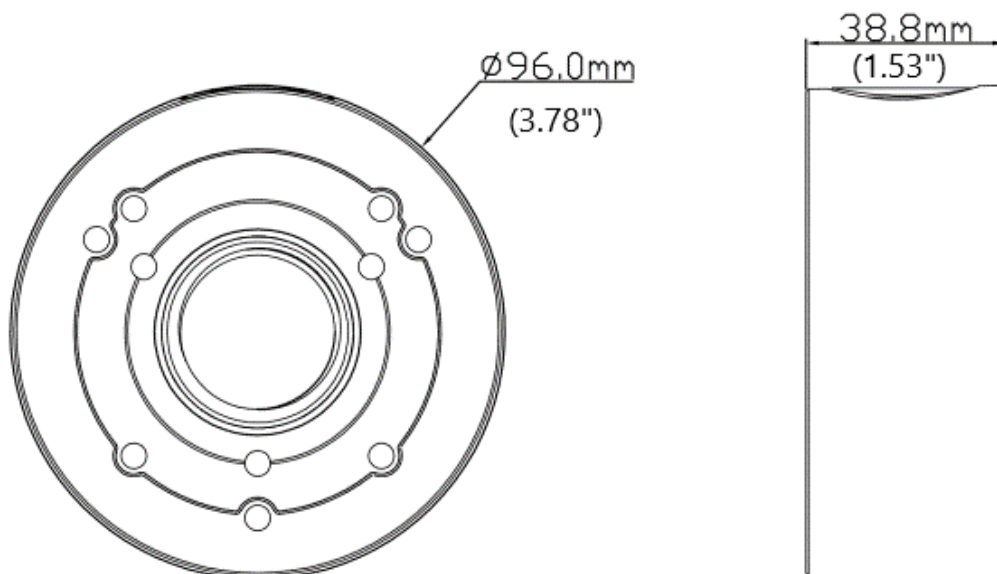
### Packing List

1. GV-Mount507	2. Screw (4 x 10 mm) x 4
3. Screw (4 x 25 mm) x 3	4. Screw (3 x 6 mm) x 1
5. Plastic case x 3	6. Hex Key x 1
7. Waterproof ring x 5	8. Drill Template Paster

### Applicable Models

- GV-GBL4900, GV-GBLF2802

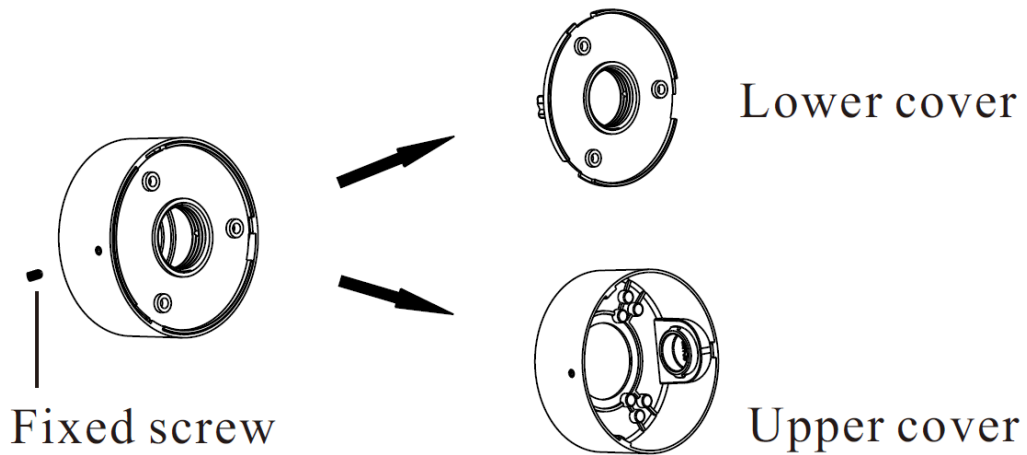
### Dimensions



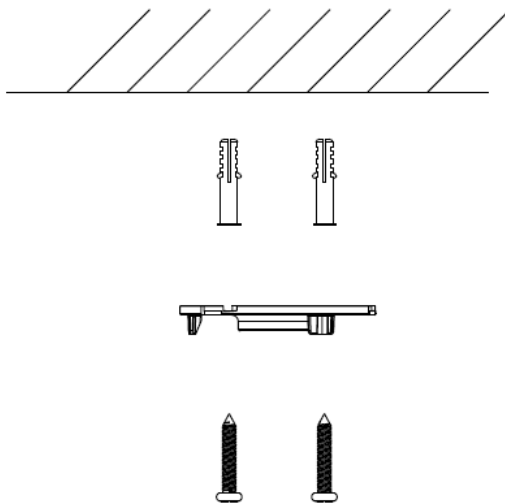
## Installation

Before installation, make sure that the wall is strong enough to withstand 3 times the weight of the junction box and camera. **The steps below use GV-GBL4900 as an example.**

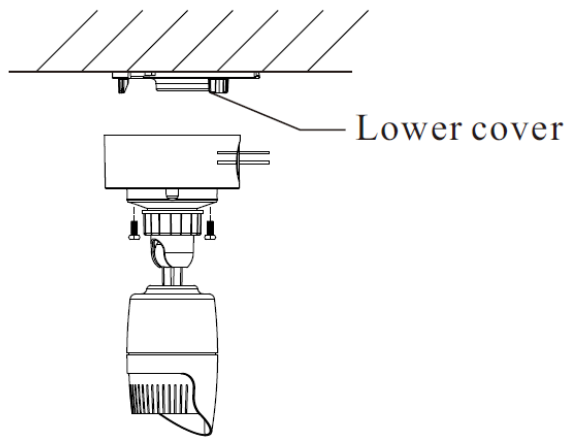
1. Open the lower cover and the upper cover of the junction box by loosening the fixed screw.



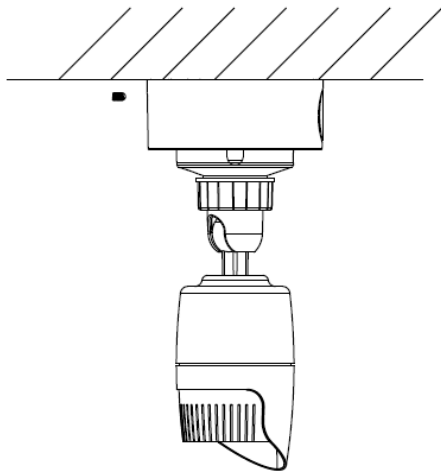
2. Fix the lower cover of the junction box to the wall with screws.



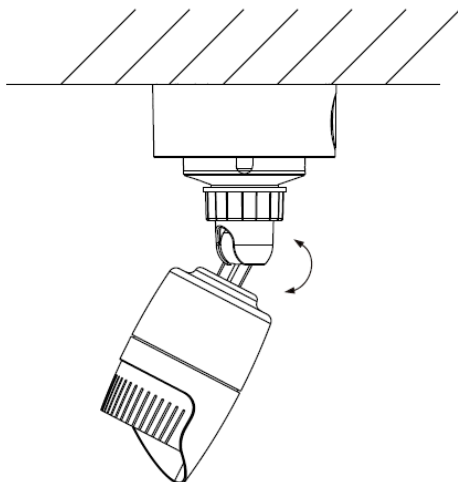
3. Fix the camera to the upper cover of the junction box. Then route the cables through the cable hole (take side conduit cabling for example) and connect the cables.



4. Install the camera with the upper cover of the junction box to the lower cover, with a clockwise rotation and then secure the junction box by tightening the fixed screw.



5. Adjust the view angle of the camera.



## 6. Junction Box GV-Mount507-1



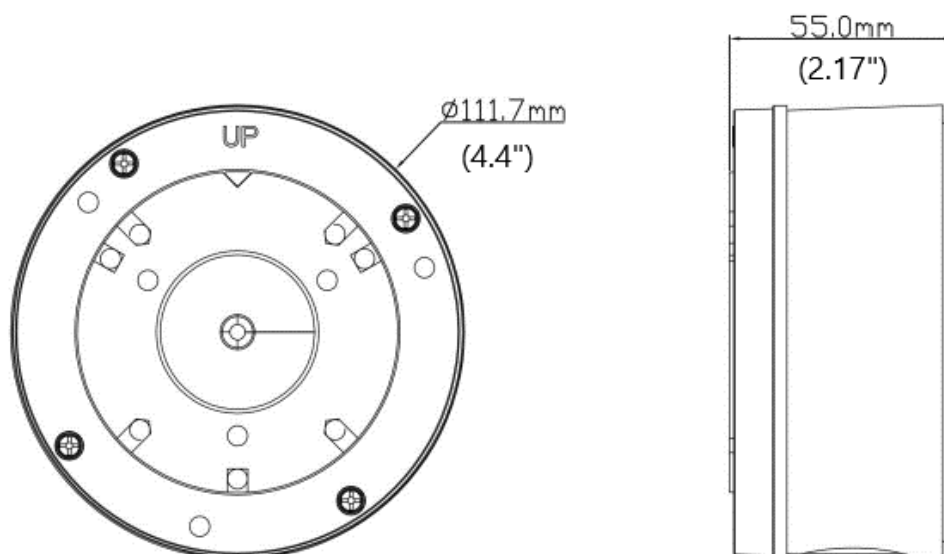
### Packing List

1. GV-Mount507-1	2. Screw (4 x 10 mm) x 4
3. Screw (4 x 25 mm) x 4	4. Plastic case x 4
5. Waterproof ring x 4	6. Drill Template Paster

### Applicable Models

- GV-GBL4900, GBLF2802

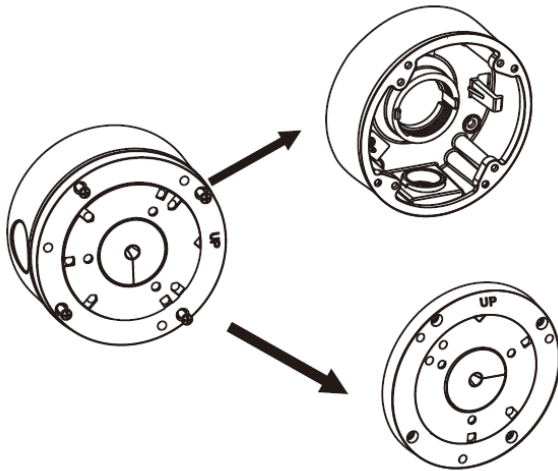
### Dimensions



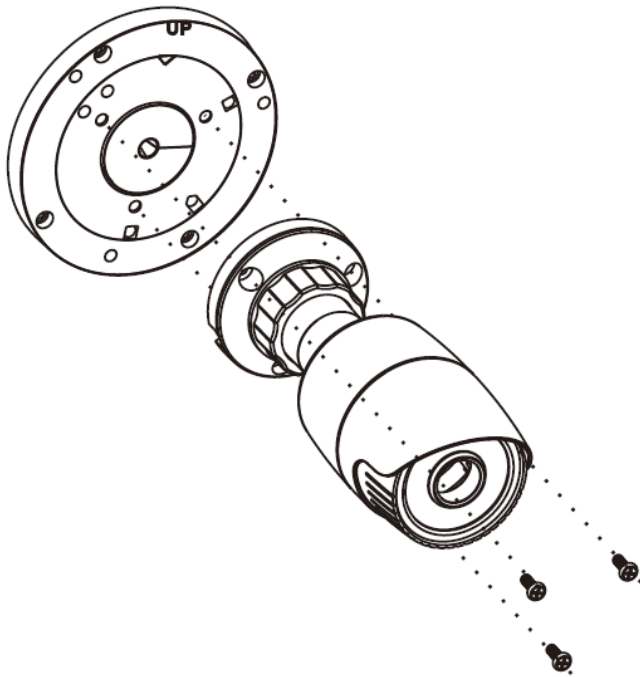


## Installation

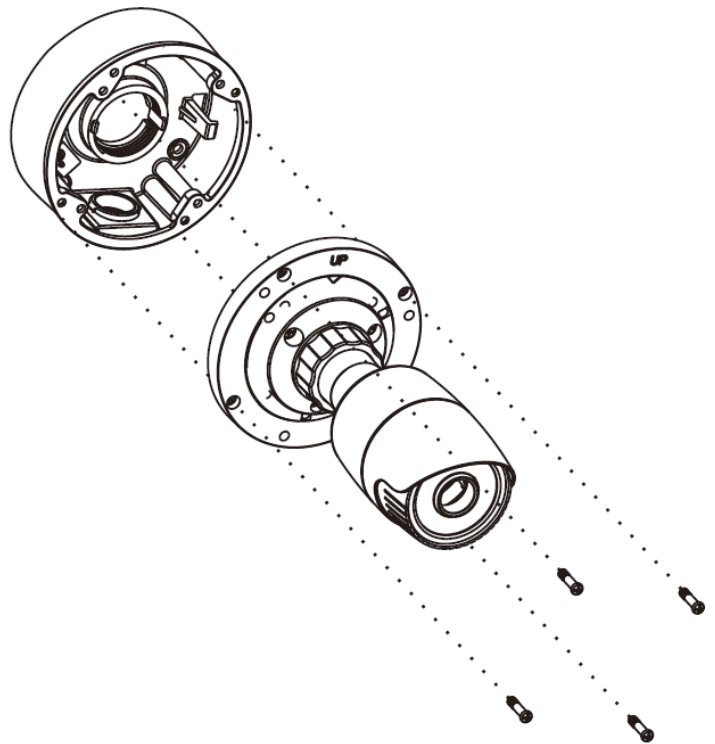
1. Disassemble GV-Mount507-1.



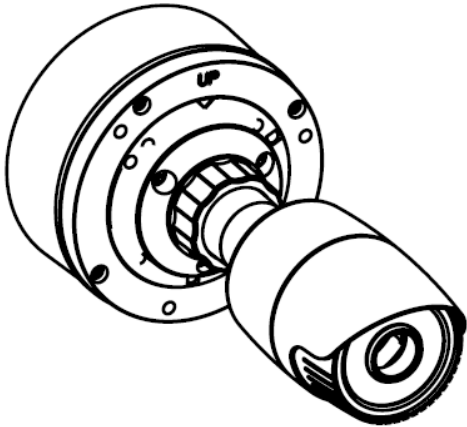
2. Secure the camera onto the cover of GV-Mount507-1 using the supplied screws as indicated below.



3. Assemble the camera and the bottom of GV-Mount507-1 using the supplied screws as indicated below.



4. The installation is completed.



## 7. Junction Box GV-Mount510



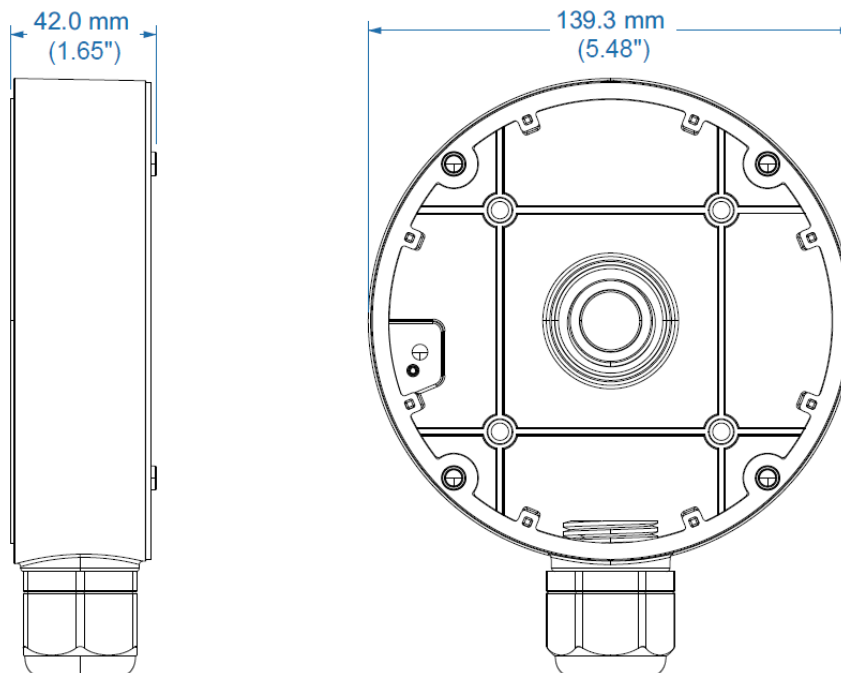
### Packing List

1. GV-Mount510	2. Screw (4 x 16 mm) x 4
3. Screw (6.5 x 38 mm) x 4	4. Plastic case (8 x 40 mm) x 4
5. Screw waterproof ring x 4	6. PG waterproof ring x 1
7. Drill Template Paster	

### Applicable Models

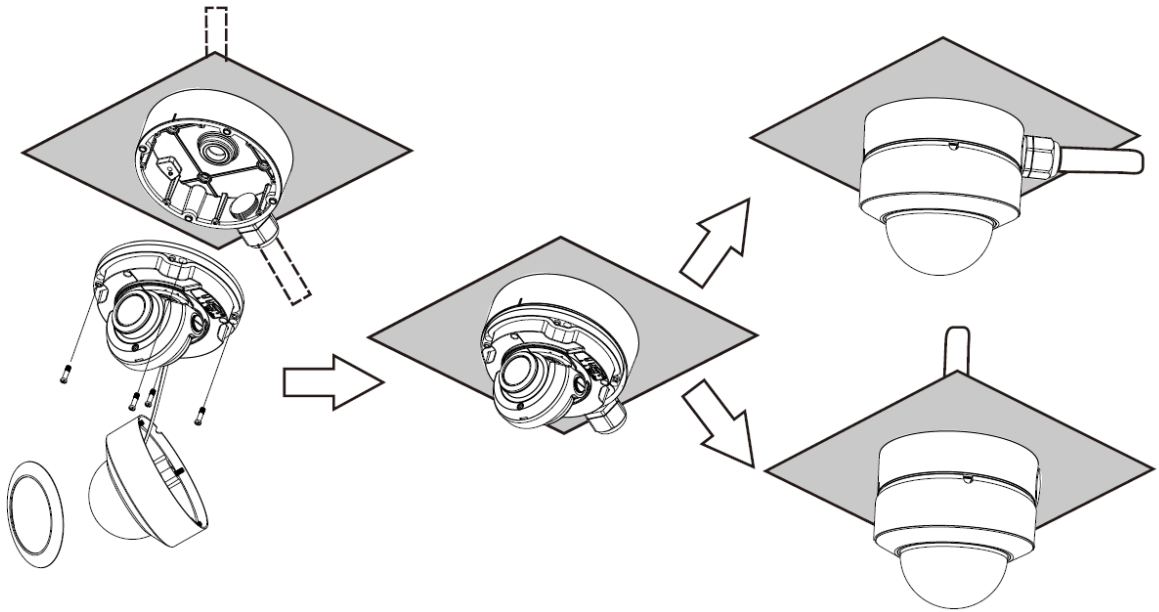
- GV-GVD4910

### Dimensions



## Installation

1. Secure the junction box to the wall or ceiling with screws.
2. Rotate the trim ring anticlockwise to remove it from the camera and then loosen the screws to open the lower dome.
3. Route and connect these cables. Then fasten the camera to the junction box with screws.
4. Adjust the view of angle and the image.
5. Install the lower dome and the trim ring back to the camera.



## 8. In-Ceiling Mounting Bracket GV-Mount925



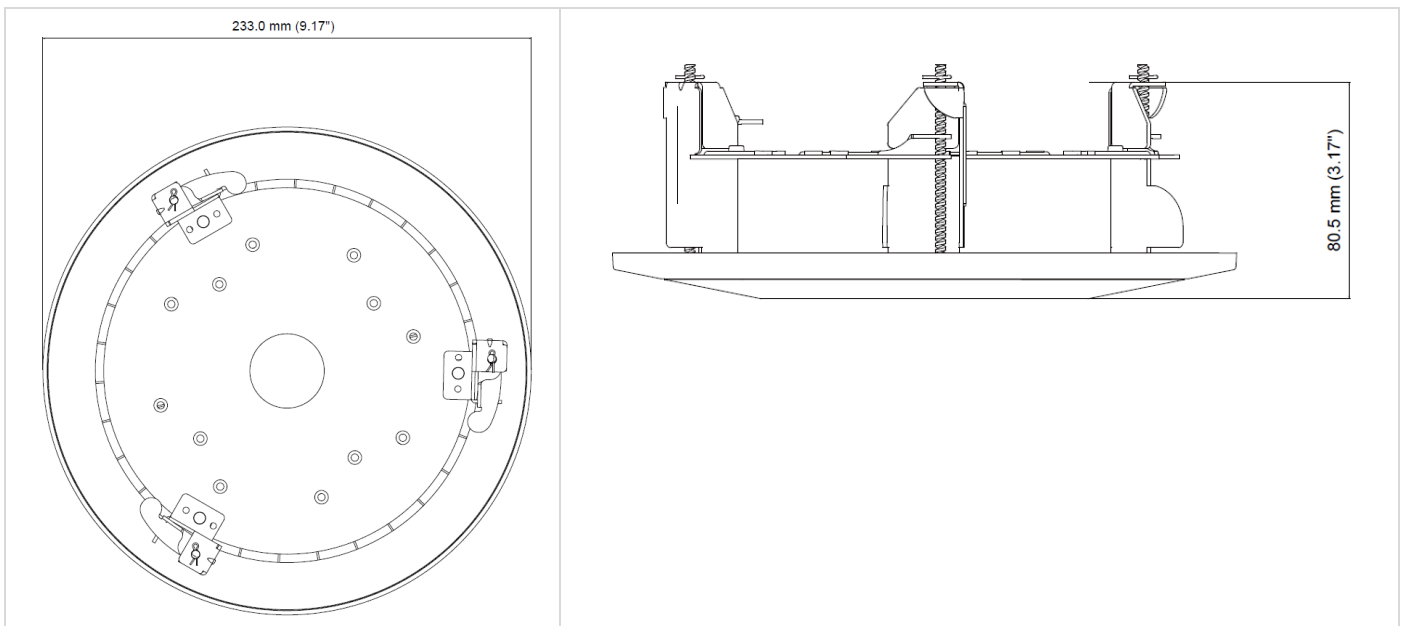
### Packing List

1. GV-Mount925	2. Screw (4 x 10 mm) x 4
3. Drill Template Paster	

### Applicable Models

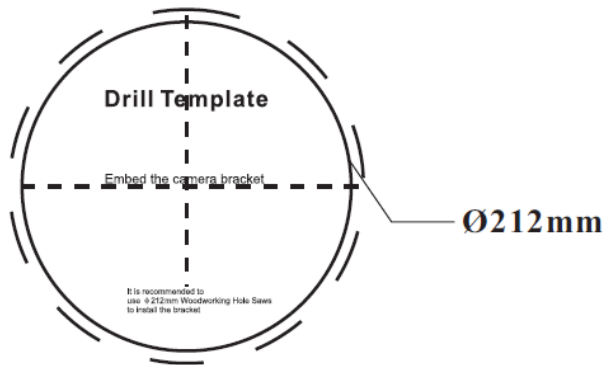
- GV-GVD4910

### Dimensions

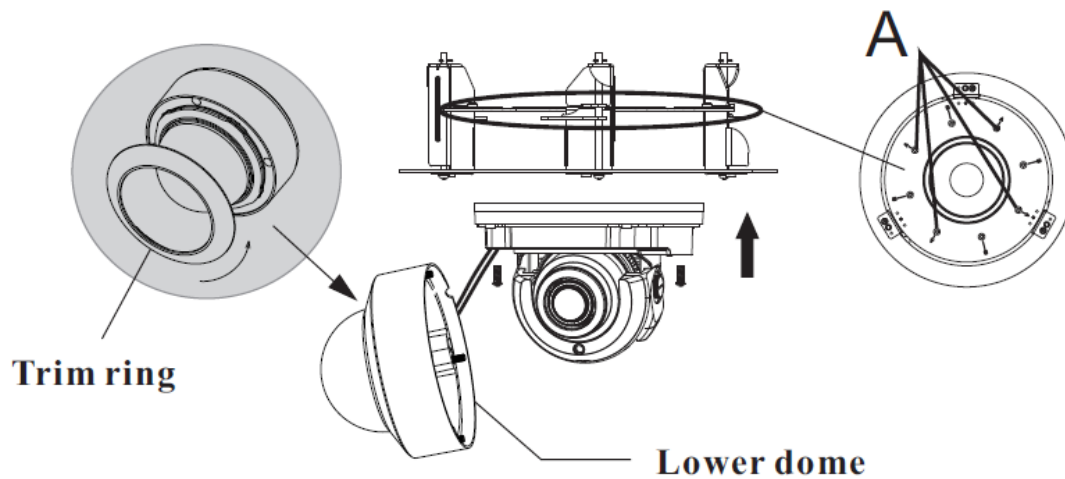


## Installation

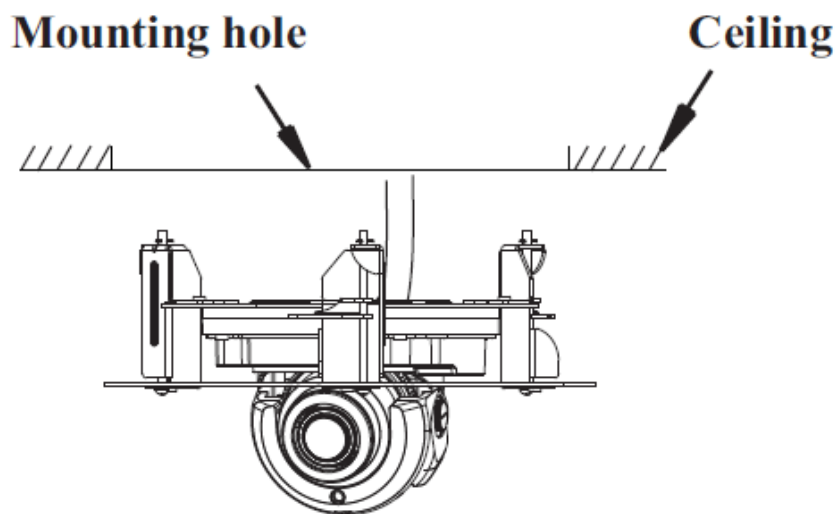
1. Attach the drill template to the ceiling where you want to install the dome camera. Then cut a hole according to the drill template. Note that +2 mm of the circle diameter is allowed.



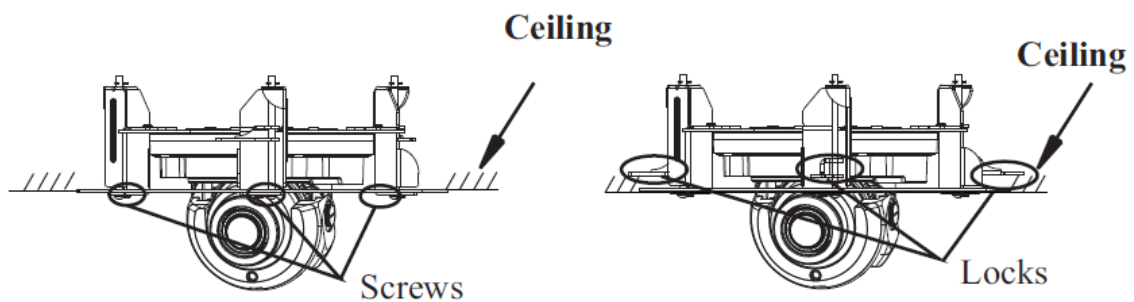
2. Rotate the trim ring anticlockwise to remove it. Then remove the lower dome of the camera by loosening the screws. After that, place the in-ceiling bracket on the dome camera and make sure the screw holes of the dome camera are aligned with the screw holes of the bracket marked with "A". Then fix the camera to the bracket with screws.



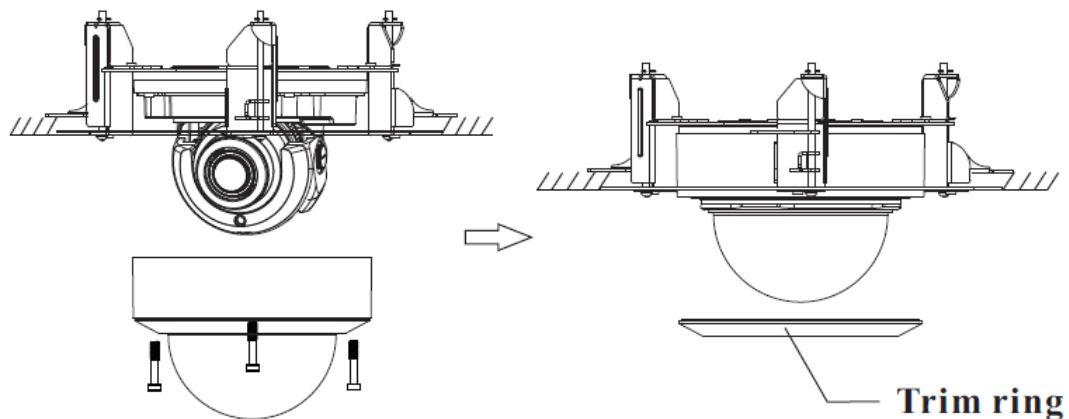
3. Route the cables through the ceiling and connect the cables. Then push the dome camera with the bracket into the mounting hole in the ceiling.



4. Tighten the lock screws with the screwdriver and the locks will automatically rotate outwards to secure the dome camera to the ceiling. Then adjust the view angle of the camera.



5. Install the lower dome back to the camera. Then put the trim ring onto the lower dome and rotate it clockwise until it is locked.



6. Install the magnetic ring of the bracket.

