

# mTS1000 Series

## Drop Arm Tripod Turnstile

FASTER · SECURITY · DURABLE



## Overview

The ZKTeco mTS1000 tripod turnstile is a robust and reliable access control solution designed for controlling pedestrian traffic in areas requiring secure entry and exit management. It offers high performance coupled with durability, making it suitable for various environments such as office buildings, public transportation hubs, stadiums, and more. The turnstile integrates advanced technology for efficient and secure access control management.

## Features

- **Durable Construction:** The mTS1000 is built with high-quality materials, ensuring durability and long-term reliability even in high-traffic environments.
- **Bi-directional Operation:** The turnstile supports bi-directional access control, allowing both entry and exit functions as per configured access rights.
- **Smooth Operation:** Equipped with precision-engineered mechanisms, the turnstile provides smooth and quiet operation, enhancing user experience.
- **LED Indicator Lights:** Integrated LED indicator lights provide visual cues to users, indicating access permissions and operational status.
- **Anti-Passback Functionality:** The turnstile incorporates anti-passback features to prevent unauthorized access, enhancing security measures.
- **Wide Compatibility:** Compatible with various access control systems and devices, facilitating seamless integration into existing security setups.

- Emergency Egress: In case of emergencies, the turnstile can be configured to allow free passage, ensuring swift evacuation procedures.
- Powerful function: Supports turnstile access control mode configure as free access, normal verification or lock the turnstile.

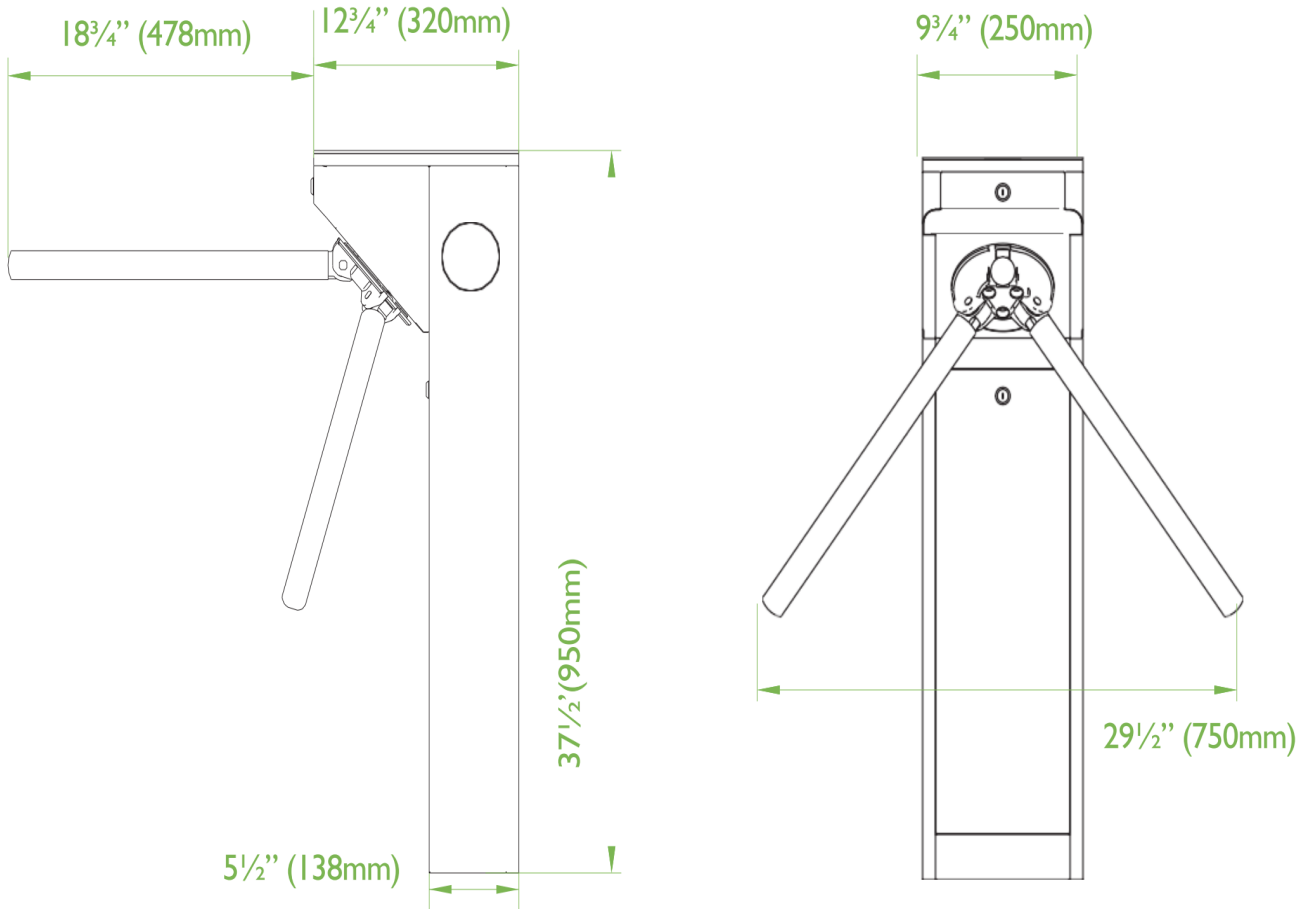
## Specifications

Model	mTS1000
Power Supply	110V/220V AC, 50/60Hz
Operating Temperature	-20°C to 60°C
Operating Humidity	5% to 85% (non-condensing)
Operating Environment	Indoor/Outdoor (if shelter available)
Passing Speed	30 to 40 persons/minute
Dimensions	798*750*950mm(31.4*29.5*37.4in)
Dimensions with Packaging	368*420*1125mm(14.5*16.5*44.3in)
Net Weight	35kg(77lb)
Gross Weight	40kg(88lb)
Cabinet Material	SUS304 stainless steel
Lid Material	Acrylic + tempered glass
Barrier Material	SUS304 stainless steel
Lane width	<500mm
Emergency mode	Drop arm
MCBF	2 million
Warranty	Standard one-year warranty with options for extended warranties.
IP Rating	IP43
LED Indicator	Red & Green LED
Communication Interface	RS485
Input Interface	Dry contact
Certifications	CE, FCC, RoHS

## Optional Features

- Access Control Integration: Integration with RFID readers, fingerprint scanners, barcode scanners, etc.
- Ticketing System Integration: Integration with ticketing or fare collection systems for public transportation applications.
- Customization: Custom branding options available for corporate identity integration.

## Dimensions (IN/MM)



## Application



OFFICE  
BUILDINGS



PUBLIC  
TRANSPORTATION  
HUBS



STADIUMS  
AND  
ARENAS



EDUCATIONAL  
INSTITUTIONS



GOVERNMENT  
FACILITIES



INDUSTRIAL  
COMPLEXES



COMMERCIAL  
ESTABLISHMENTS

## ZKTeco USA

1600 Union Hill Rd., Alpharetta GA 30005

Phone (862) 505 - 2101 • sales@zktecousa.com • www.zktecousa.com

© Copyright 2020. ZKTeco Inc. ZKTeco Logo and ZKTeco USA Logo have registered trademarks of ZKTeco or related company. All other product and company names mentioned are used for identification purposes only and may be trademarks of their respective owners.

All specifications are subject to change without notice. All rights reserved.