

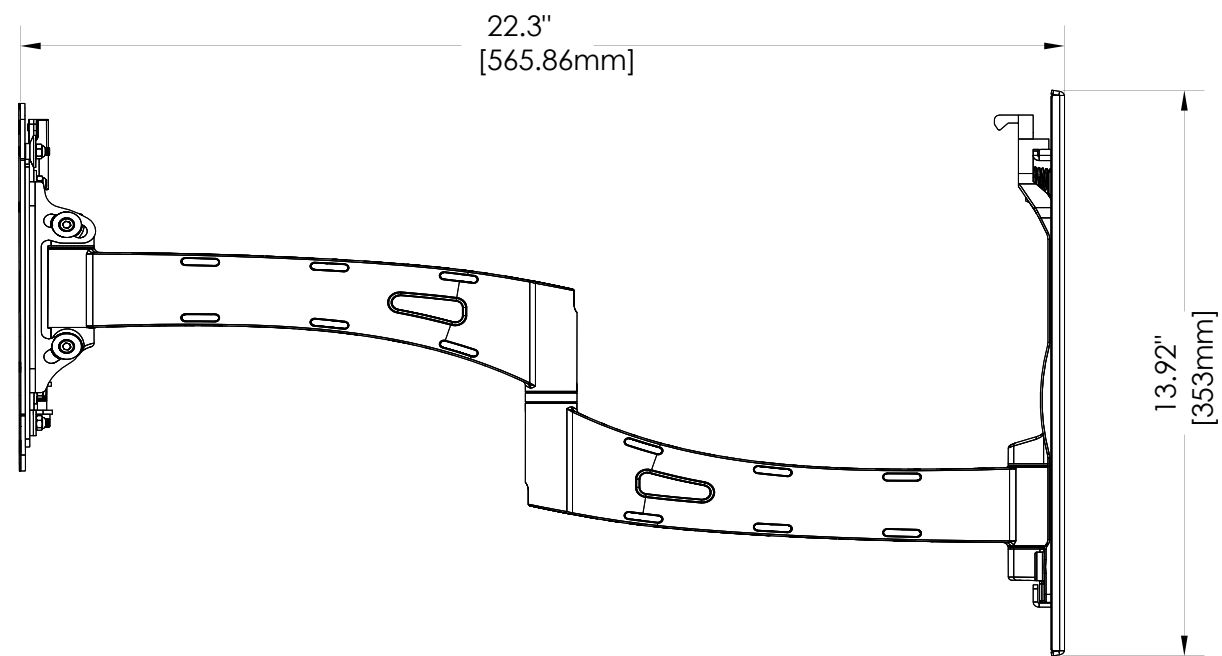
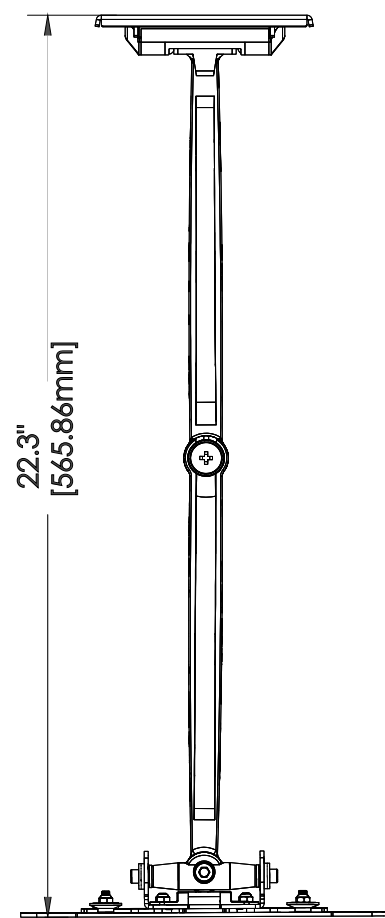
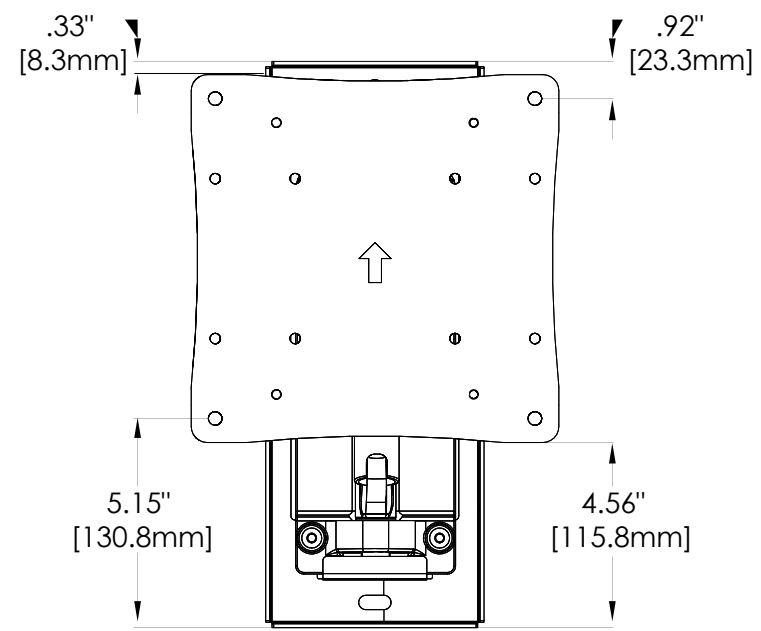
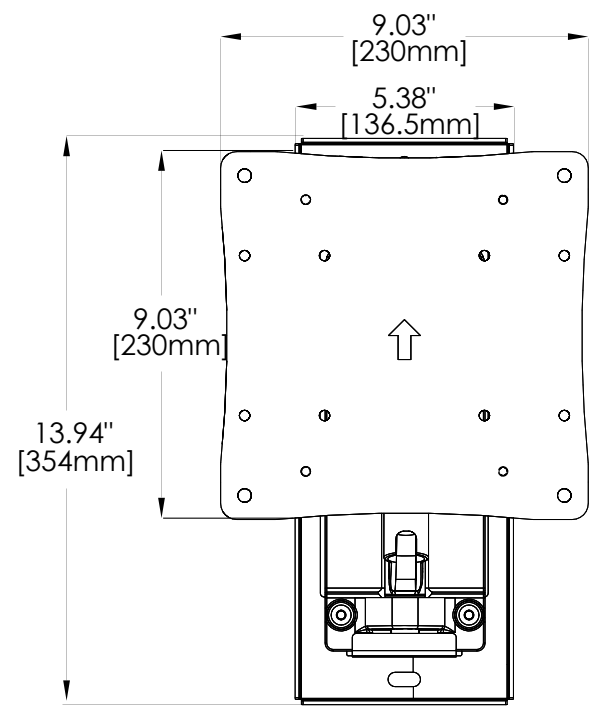
8 7 6 5 4 3 2 1

D

C

B

A

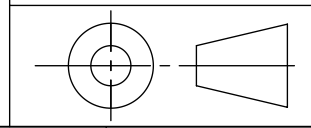


ALL DIMENSIONS IN INCHES [mm]

CUSTOMER PRINT



PROPRIETARY AND CONFIDENTIAL
THE INFORMATION CONTAINED IN THIS DRAWING IS THE SOLE PROPERTY OF STRONG MOUNTS AND LIFTS. ANY REPRODUCTION IN PART OR AS A WHOLE WITHOUT THE WRITTEN PERMISSION OF SNAP AV IS PROHIBITED.



SIZE	DRAWING NUMBER	DWG REV
B	SM-RAZOR-ART1-M	C
DO NOT SCALE DRAWING		SHEET 1 OF 1

8 7 6 5 4 3 2 1