

# AXIS P3905-R Mk III Dome Camera

## 2 MP onboard surveillance

This compact and discreet 2 MP onboard camera complies with rolling stock standards such as EN50155 and EN45545. It can withstand vibrations and a wide range of temperatures. Additionally, with AXIS TP3826-E housing this dome camera can be mounted on the outside of a vehicle. Thanks to Lightfinder and Forensic WDR, it provides details even in challenging light conditions. And with traffic light mode it can distinguish the color of traffic lights in dark scenes. Optional M12 lenses are available to adjust field of view for customized monitoring purposes.

- > **Compact, rugged design**
- > **Complies with EN50155**
- > **Lightfinder and Forensic WDR**
- > **Zipstream**
- > **Traffic Light mode**



# AXIS P3905-R Mk III Dome Camera

<b>Variants</b>	AXIS P3905-R Mk III RJ45 AXIS P3905-R Mk III M12 AXIS P3905-R Mk III M12 2.8 mm	ONVIF® Profile G, ONVIF® Profile M, ONVIF® Profile S and ONVIF® Profile T, specification at <a href="http://onvif.org">onvif.org</a>
<b>Camera</b>		
<b>Image sensor</b>	1/2.9" Progressive scan RGB CMOS Pixel size 2.8 µm	<b>Video management systems</b> Compatible with AXIS Companion, AXIS Camera Station, video management software from Axis' Application Development Partners available at <a href="http://axis.com/vms">axis.com/vms</a>
<b>Lens</b>	<b>3.6 mm, F2.0 :</b> Horizontal field of view: 88° Vertical field of view: 47° Minimum focus distance: 0.3 m (1 ft) M12 mount, fixed iris <b>2.8 mm, F1.2 :</b> Horizontal field of view: 107° Vertical field of view: 56° Minimum focus distance: 0.3 m (1 ft) M12 mount, fixed iris See <a href="#">Optional accessories</a> for exchangeable lenses	<b>Onscreen controls</b> Video streaming indicator Wide dynamic range Privacy masks
<b>Minimum illumination</b>	<b>3.6 mm, F2.0 :</b> Color: 0.04 lux at 30 IRE F2.0 Color: 0.13 lux at 50 IRE F2.0 <b>2.8 mm, F1.2 :</b> Color: 0.02 lux at 30 IRE F1.2 Color: 0.07 lux at 50 IRE F1.2	<b>Event conditions</b> Device status: above operating temperature, above or below operating temperature, below operating temperature, IP address removed, network lost, new IP address, storage failure, system ready, within operating temperature Edge storage: recording ongoing, storage disruption I/O: manual trigger, virtual input MQTT subscribe Scheduled and recurring: scheduled event Video: average bitrate degradation, live stream open, tampering
<b>Shutter speed</b>	With WDR: 1/19000 s to 1/5 s No WDR: 1/17000 s to 1/5 s	<b>Event actions</b> Guard tours Upload images or video clips: FTP, HTTP, HTTPS, SFTP, email and network share Notification: HTTP, HTTPS, TCP and email Overlay text Preset positions Record video: SD card and network share SNMP trap messages WDR mode MQTT publish
<b>Camera angle adjustment</b>	Pan: ±30° Tilt: 15-90° Rotation: ±175°	<b>Built-in installation aids</b> Pixel counter
<b>System on chip (SoC)</b>		
<b>Model</b>	S6LM55	<b>Analytics</b>
<b>Memory</b>	1024 MB RAM, 512 MB Flash	<b>Applications</b> <b>Included</b> AXIS Video Motion Detection, active tampering alarm <sup>b</sup> <b>Supported</b> AXIS Fence Guard, AXIS Loitering Guard, AXIS Motion Guard Support for AXIS Camera Application Platform enabling installation of third-party applications, see <a href="http://axis.com/acap">axis.com/acap</a>
<b>Video</b>		
<b>Video compression</b>	H.264 (MPEG-4 Part 10/AVC) Main and High Profiles H.265 (MPEG-H Part 2/HEVC) Main Profile Motion JPEG	<b>Approvals</b>
<b>Resolution</b>	<b>16:9:</b> 1920x1080 to 640x360 <b>16:10:</b> 1280x800 to 640x400 <b>4:3:</b> 1280x960 to 320x240	<b>Product markings</b> CE, ECE, KC, RCM, UL/cUL, UKCA, VCCI, WEEE
<b>Frame rate</b>	H.264 and H.265: 25/30 fps (50/60 Hz) in all resolutions Motion JPEG: 15 fps (50/60 Hz) in all resolutions	<b>Supply chain</b> TAA compliant NDA compliant
<b>Video streaming</b>	Up to 4 unique and configurable video streams <sup>a</sup> Multiple, individually configurable streams in H.264, H.265 and Motion JPEG Axis Zipstream technology in H.264 and H.265 Controllable frame rate and bandwidth VBR/ABR/MBR H.264 and H.265 Video streaming indicator	<b>EMC</b> EN 55032 Class A, EN 55035, EN 61000-6-1, EN 61000-6-2, ECE R10 rev.06 (E approval), EN 50498, <b>Australia/New Zealand:</b> RCM AS/NZS CISPR 32 Class A <b>Canada:</b> ICES-3(A)/NMB-3(A) <b>Japan:</b> VCCI Class A, <b>Korea:</b> KS C 9835, KS C 9832 Class A, <b>USA:</b> FCC Part 15 Subpart B Class A <b>Rolling stock:</b> EN 50121-3-2, EN 50121-4, IEC 62236-4
<b>WDR</b>	Forensic WDR: Up to 120 dB depending on scene	<b>Safety</b> IEC/EN/UL 62368-1, CAN/CSA C22.2 No. 62368-1, UN ECE R118 EN 45545-2, NFPA 130 <sup>c</sup>
<b>Noise reduction</b>	Spatial filter (2D noise reduction) Temporal filter (3D noise reduction)	<b>Environment</b> IEC/EN 60529 IP66, IEC/EN 60529 IP67, parts of Parts of NEMA 250 Type 4X (ingress of water and gasket test), IEC/EN 62262 IK10, IEC 60721-3-5 Class 5M3 (vibration and shock), IEC 60068-2-1, IEC 60068-2-2, IEC 60068-2-27, IEC 60068-2-64, IEC 60068-2-78, IEC 60068-2-14 IEC/EN 61373 Category 1 Class B, EN 50155:2017 OT1/ST2
<b>Image settings</b>	Compression, brightness, sharpness, contrast, white balance, Forensic WDR, exposure control, exposure zones, fine tuning of behavior at low light, rotation: 0°, 90°, 180°, 270° including Corridor Format, dynamic overlay, 32 individual polygonal privacy mask, mirroring of images Scene profiles: forensic, vivid, traffic overview	<b>Network</b> NIST SP500-267
<b>Image processing</b>	Axis Zipstream, Forensic WDR, Lightfinder	<b>Cybersecurity</b> ETSI EN 303 645
<b>Pan/Tilt/Zoom</b>	Digital PTZ, preset positions, guard tour, control queue	<b>Cybersecurity</b>
<b>Network</b>		
<b>Network protocols</b>	IPv4, IPv6 USGv6, HTTP, HTTPS, HTTP/2, TLS, QoS Layer 3 DiffServ, FTP, SFTP, CIFS/SMB, SMTP, mDNS (Bonjour), UPnP®, SNMP v1/v2c/v3 (MIB-II), DNS/DNSv6, DDNS, NTP, RTSP, RTP, SRTP, TCP, UDP, IGMPv1/v2/v3, RTCP, ICMP, DHCPv4/v6, ARP, SOCKS, SSH, LLDP, CDP, MQTT v3.1.1, Syslog, Link-Local address (ZeroConf)	<b>Edge security</b> <b>Software:</b> Signed OS, brute force delay protection, digest authentication and OAuth 2.0 RFC6749 OpenID Authorization Code Flow for centralized ADFS account management, password protection, AES-XTS-Plain64 256bit SD card encryption <b>Hardware:</b> Axis Edge Vault cybersecurity platform Secure element (CC EAL 6+), system-on-chip security (TEE), Axis device ID, secure keystore, signed video, secure boot, encrypted filesystem (AES-XTS-Plain64 256bit)
<b>System integration</b>		
<b>Application Programming Interface</b>	Open API for software integration, including VAPIX® and AXIS Camera Application Platform (ACAP); specifications at <a href="http://axis.com/developer-community">axis.com/developer-community</a> . ACAP includes Native SDK. One-click cloud connection	<b>Network security</b> IEEE 802.1x (EAP-TLS, PEAP-MSCHAPv2), IEEE 802.1AE (MACsec PSK/EAP-TLS), IEEE 802.1AR,

HTTPS/HSTS, TLS v1.2/v1.3, Network Time Security (NTS), X.509 Certificate PKI, host-based firewall

Lens M12 8 mm, F1.6: horizontal field of view 39°

**Other**

AXIS T94D01S Mount Bracket,  
AXIS T94D02S Curved Mount Bracket, Network coupler IP66,  
Network cable coupler indoor, TM3101 Pendant Wall Mount,  
AXIS TP3826-E housing, TP3827 Clear Dome Cover,  
TP3830 Top Black Cover  
For more accessories, see [axis.com/products/axis-p3905-r-mk-iii#accessories](https://axis.com/products/axis-p3905-r-mk-iii#accessories)

<b>Documentation</b>	AXIS Hardening Guide AXIS Vulnerability Management Policy AXIS Security Development Model AXIS OS Software Bill of Material (SBOM) To download documents, go to <a href="https://axis.com/support/cybersecurity/resources">axis.com/support/cybersecurity/resources</a> To read more about Axis cybersecurity support, go to <a href="https://axis.com/cybersecurity">axis.com/cybersecurity</a>
<b>General</b>	
<b>Casing</b>	IP66/67-, Parts of NEMA 250 Type 4X- and IK10-rated aluminum and polycarbonate casing
<b>Mounting</b>	Inside vehicles and rolling stock
<b>Power</b>	Power over Ethernet (PoE) IEEE 802.3af/802.3at Type 1 Class 1 Typical 2.2 W, max 3.8 W
<b>Connectors</b>	RJ45: male, 10BASE-T/100BASE-TX M12: female, rugged, D-coded with rotatable coupling nut All connectors support PoE
<b>Storage</b>	Support for microSD/microSDHC/microSDXC card with UHS Speed Class U1 Support for recording to network-attached storage (NAS) For SD card and NAS recommendations see <a href="https://axis.com">axis.com</a>
<b>Operating conditions</b>	-30 °C to 55 °C (-22 °F to 131 °F) Maximum (intermittent): 70 °C (158 °F) Humidity: 10-100% RH (condensing)
<b>Storage conditions</b>	-40 °C to 65 °C (-40 °F to 149 °F)
<b>Dimensions</b>	Height: 50 mm (1.97 in), ø 110 mm (4.33 in)
<b>Weight</b>	241 g (0.53 lb)
<b>Box content</b>	Camera, Installation guide, Windows® decoder 1-user license, lens tool
<b>Optional accessories</b>	Lenses Lens M12 2.1 mm, F2.2: horizontal field of view 145° Lens M12 2.8 mm, F1.2: horizontal field of view 107° Lens M12 3.6 mm, F2.0 : horizontal field of view 88° Lens M12 6 mm, F1.6: horizontal field of view 51°

<b>System tools</b>	AXIS Site Designer, AXIS Device Manager, product selector, accessory selector, lens calculator Available at <a href="https://axis.com">axis.com</a>
<b>Languages</b>	English, German, French, Spanish, Italian, Russian, Simplified Chinese, Japanese, Korean, Portuguese, Polish, Traditional Chinese, Dutch, Czech, Swedish, Finnish, Turkish, Thai, Vietnamese
<b>Warranty</b>	5-year warranty, see <a href="https://axis.com/warranty">axis.com/warranty</a>
<b>Part numbers</b>	Available at <a href="https://axis.com/products/axis-p3905-r-mk-iii#part-numbers">axis.com/products/axis-p3905-r-mk-iii#part-numbers</a>
<b>Sustainability</b>	
<b>Substance control</b>	PVC free, BFR/CFR free RoHS in accordance with EU RoHS Directive 2011/65/EU and EN 63000:2018 REACH in accordance with (EC) No 1907/2006. For SCIP UUID, see <a href="https://axis.com/partner">axis.com/partner</a> .
<b>Materials</b>	Recycled aluminum: 95% Screened for conflict minerals in accordance with OECD guidelines To read more about sustainability at Axis, go to <a href="https://axis.com/about-axis/sustainability">axis.com/about-axis/sustainability</a>
<b>Environmental responsibility</b>	<a href="https://axis.com/environmental-responsibility">axis.com/environmental-responsibility</a> Axis Communications is a signatory of the UN Global Compact, read more at <a href="https://unglobalcompact.org">unglobalcompact.org</a>

- We recommend a maximum of 3 unique video streams per camera or channel, for optimized user experience, network bandwidth, and storage utilization. A unique video stream can be served to many video clients in the network using multicast or unicast transport method via built-in stream reuse functionality.*
- For detection of tampering attempts in static and non-crowded scenes.*
- ASTM E162 and the non-flaming parts of ASTM E662*

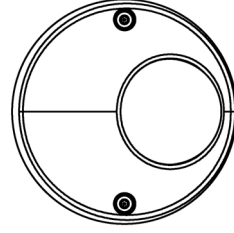
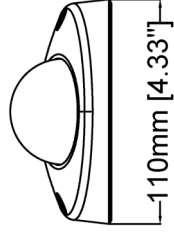
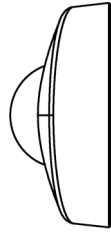
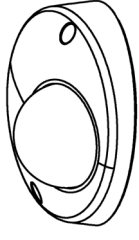
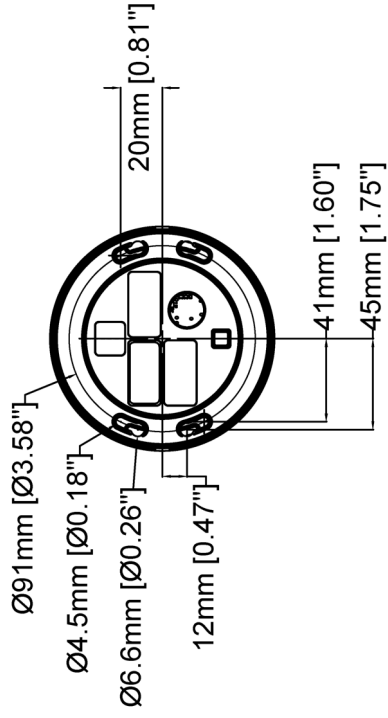
## Detect, Observe, Recognize, Identify (DORI)

3.6 mm Lens	DORI definition	Distance
Detect	25 px/m (8 px/ft)	50.6 m (166.0 ft)
Observe	63 px/m (19 px/ft)	20.1 m (65.9 ft)
Recognize	125 px/m (38 px/ft)	10.1 m (33.1 ft)
Identify	250 px/m (76 px/ft)	5.1 m (16.7 ft)

2.8 mm Lens	DORI definition	Distance
Detect	25 px/m (8 px/ft)	21.1 m (69.2 ft)
Observe	63 px/m (19 px/ft)	7.4 m (24.3 ft)
Recognize	125 px/m (38 px/ft)	4.2 m (13.8 ft)
Identify	250 px/m (76 px/ft)	2.1 m (6.9 ft)

Axis calculates the DORI values using pixel densities for different use cases as recommended by the EN-62676-4 standard. The calculations use the center of the image as the reference point and consider lens distortion. The possibility to recognize or identify a person or object depends on

factors such as object motion, video compression, lighting conditions, and camera focus. Use margins when planning. The pixel density varies across the image, and the calculated values can differ from the distances in the real world.

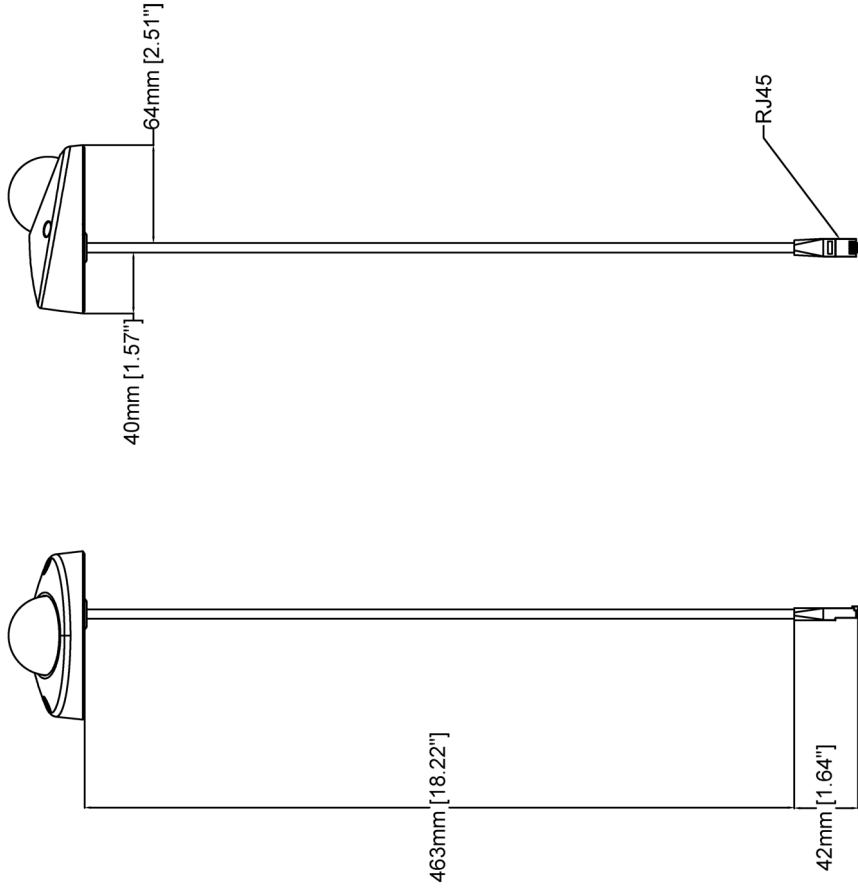


# AXIS P3905-R Mk III Dome Camera

www.axis.com

Revision	v.01	Revision date	2022-12-14
Paper size	A4	Release date	2022-12-14
Created by	MS	Scale	1:3

© 2022 Axis Communications

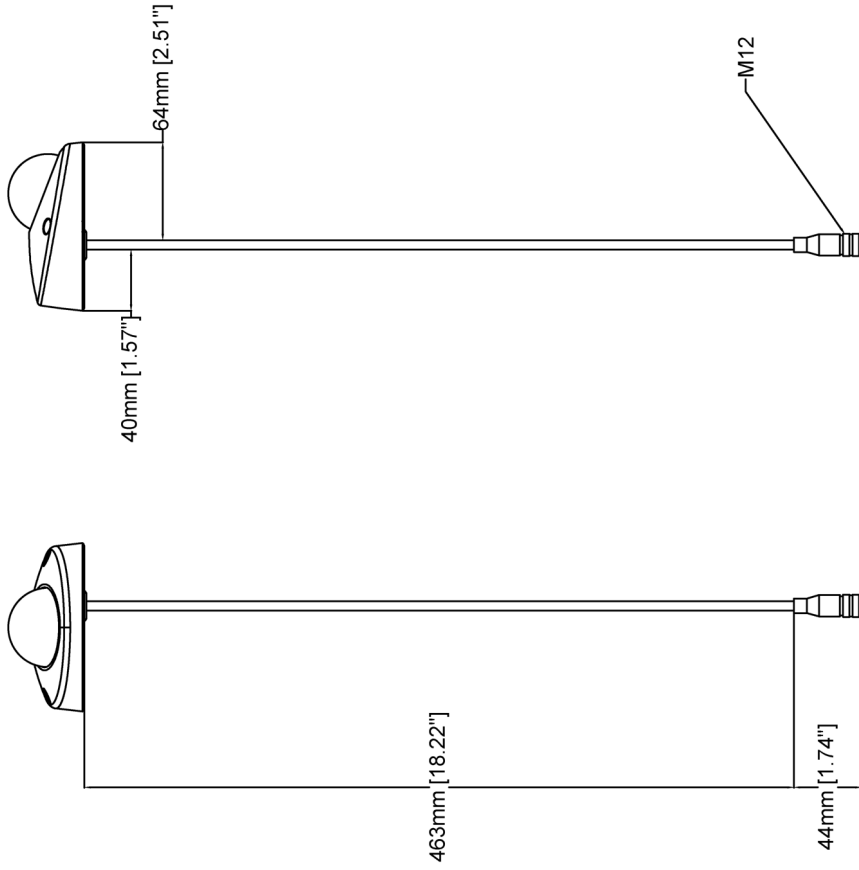


# AXIS P3905-R Mk III Dome Camera

Revision	v.01	Revision date	2022-12-14
Paper size	A4	Release date	2022-12-14
Created by	MS	Scale	1:4

© 2022 Axis Communications

www.axis.com



# AXIS P3905-R Mk III Dome Camera

www.axis.com

Revision	v.01	Revision date	2022-12-14
Paper size	A4	Release date	2022-12-14
Created by	MS	Scale	1:4

© 2022 Axis Communications

## Highlighted capabilities

### Built-in cybersecurity

#### Axis Edge Vault

Axis Edge Vault is a hardware component that provides cryptographic storage and cryptographic features to protect the installed Axis device ID from unauthorized use or access. This identity is unique for each product and is designed to prove the origin of the device. Axis device ID is used to implement secure device identification according to IEEE 802.1AR.

Axis Edge Vault is always activated and there are no settings you can change.

Secure boot is a boot process that consists of an unbroken chain of cryptographically validated software, starting in immutable memory (boot ROM). Being based on signed firmware, secure boot ensures that a device can boot only with authorized firmware. Secure boot guarantees that the Axis device is completely clean from possible malware after resetting to factory default.

Signed firmware is implemented by the software vendor signing the firmware image with a private key, which is secret. When firmware has this signature attached to it, a device will validate the firmware before accepting and installing it. If the device detects that the firmware integrity is compromised, it will reject the firmware upgrade. Axis signed firmware is based on the industry-accepted RSA public-key encryption method.

#### Zipstream

The Axis Zipstream technology preserves all the important forensic in the video stream while lowering bandwidth and storage requirements by an average of 50%. Zipstream also includes three intelligent algorithms, which ensure that relevant forensic information is identified, recorded, and sent in full resolution and frame rate.

#### Forensic WDR

Axis cameras with wide dynamic range (WDR) technology make the difference between seeing important forensic details clearly and seeing nothing but a blur in challenging light conditions. The difference between the darkest and the brightest spots can spell trouble for image usability and clarity. Forensic WDR effectively reduces visible noise and artifacts to deliver video tuned for maximal forensic usability.

#### Lightfinder

The Axis Lightfinder technology delivers high-resolution, full-color video with a minimum of motion blur even in near darkness. Because it strips away noise, Lightfinder makes dark areas in a scene visible and captures details in very low light. Cameras with Lightfinder discern color in low light better than the human eye. In surveillance, color may be the critical factor to identify a person, an object, or a vehicle.

For more information, see [axis.com/glossary](https://www.axis.com/glossary)