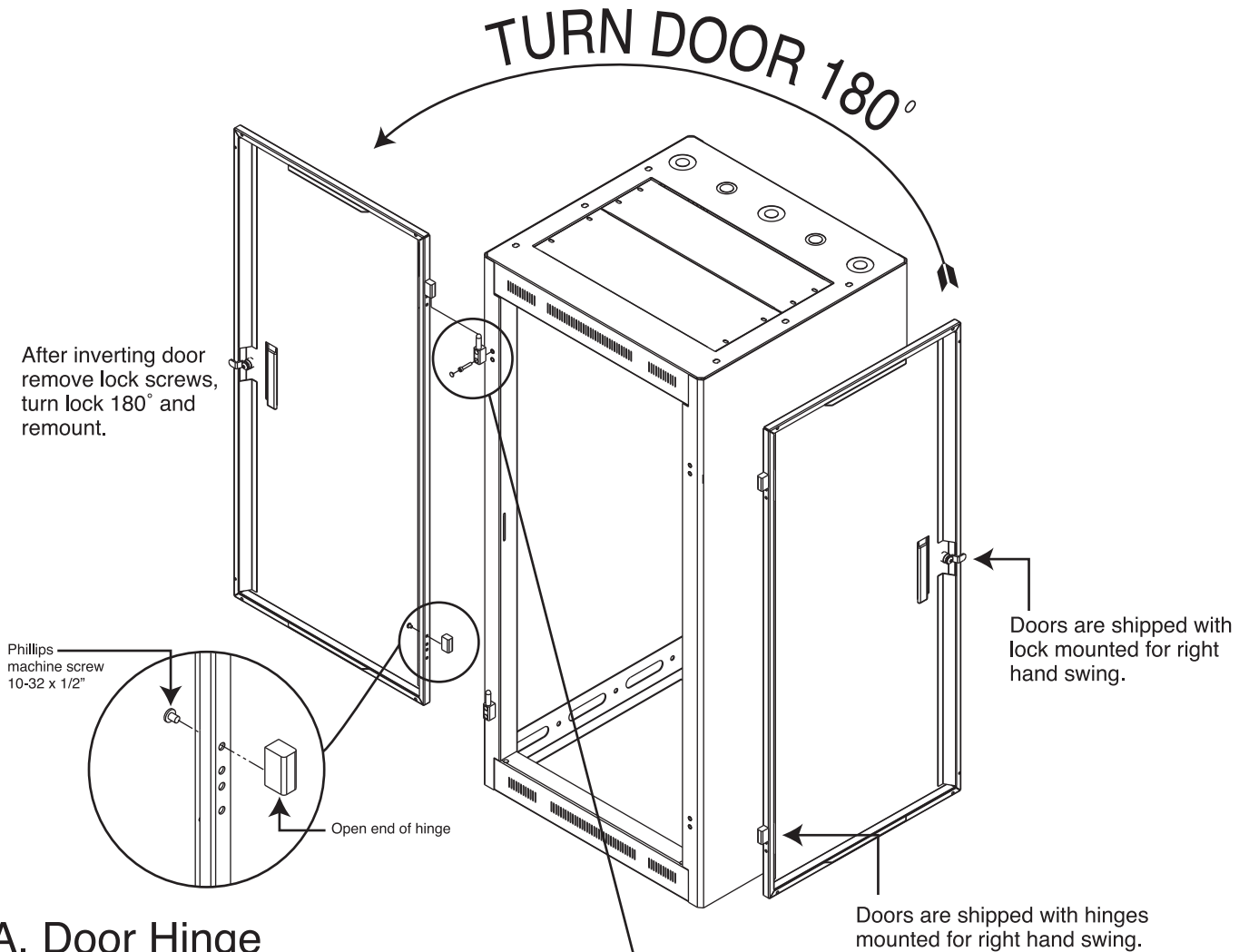


Lowell™ LFD Series

How to change Lowell LFD Series surface-mount front door from right-hand to left-hand swing. Lowell doors ship ready to mount with a right-hand swing. Hinges can be relocated to pre-mounted nutserts for left-hand swing. This method eliminates drilling and allows doors to be installed after equipment is loaded.



A. Door Hinge

After inverting door remove hinge screws, turn hinges 180° and remount in top hole. Open side of hinge faces down to accept pin.

Socket-head machine screw 10-32 x 1"
(5/32" Allen wrench provided)

Hole plug to cover screw.

B. Hinge Pin

The hinge pin is field-installed to factory-mounted nutserts (without drilling). Nutserts are on the front of rack (left and right).