

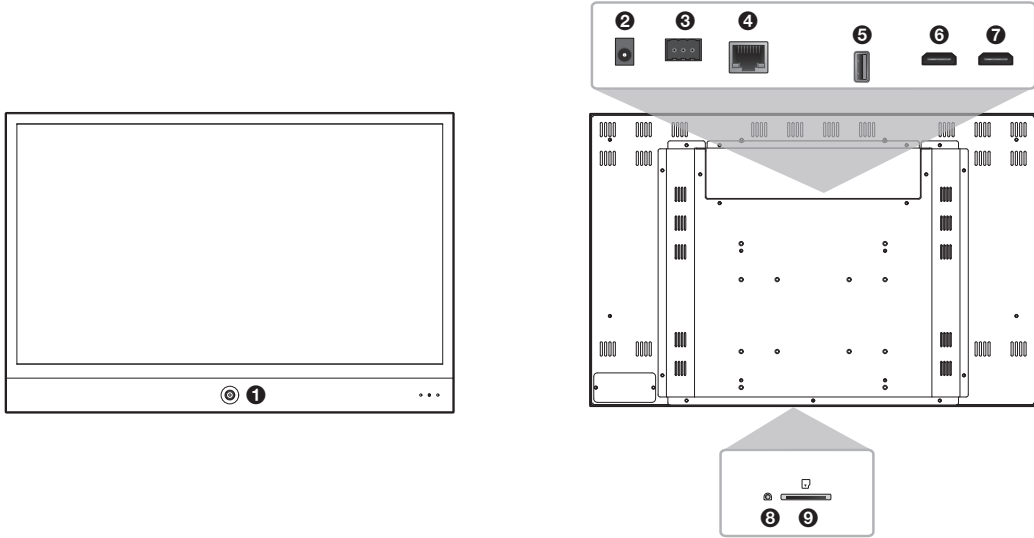
Quick Start Guide

SMT-3231PV/SMT-3221PV/SMT-2731PV/SMT-2721PV

Package Contents

Monitor / Quick Start Guide / Alarm terminal block / Remote Controller / Battery / Power Inverter Harness

Names and functions of each part

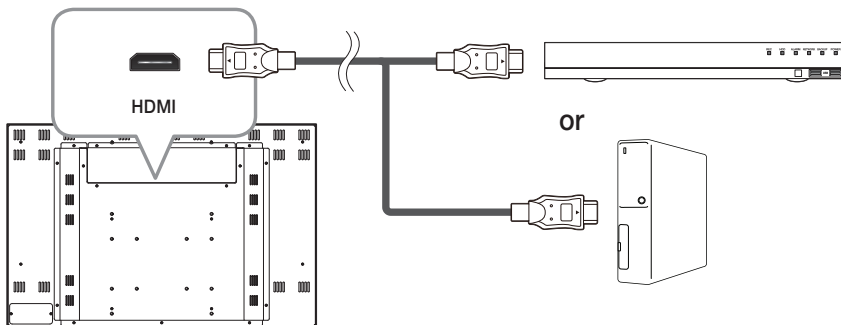


- | | | | | |
|----------------|-----------------|----------------|-----------------------------|--------------|
| 1 Lens | 2 DC 24V | 3 ALARM | 4 HPoE | 5 USB |
| 6 HDMI1 | 7 HDMI2 | 8 RESET | 9 Micro SD card slot | |

※ PIP/PBP mode supports only the SMT-2731PV, SMT-3231PV

Connecting external devices

- Connecting the HDMI cable



- Connecting the LAN cable

