



Flex Gen4 Bullet Camera



Situational Awareness

With multiple resolution options, inbuilt IR up to 50m and best image quality in all lighting conditions provides better situational awareness for 24x7 operation



Effective Deterrence

With its unique design, bullet cameras can be mounted on walls, ceiling, soffit etc. are preferred and effective in deterring unlawful activities



Edge Intelligence

Flex AI suite bundle at the edge provides real time alert during events and helps gather specific information during forensic search



Open Standard Interface

Flex bullet range is tested and qualified with latest ONVIF tools and hence can work with almost all major video management solutions qualified at same level



Easy Install

Flex bullet camera is supplied with back box and sun shield which makes it easier to install in almost all deployment scenario. With mounting handle it is easier to position or reposition camera when required



Data Protection

Flex bullet camera follows stringent JCI cyber program to protect captured data from its misuse. It fully complies to NDAA and TAA norms

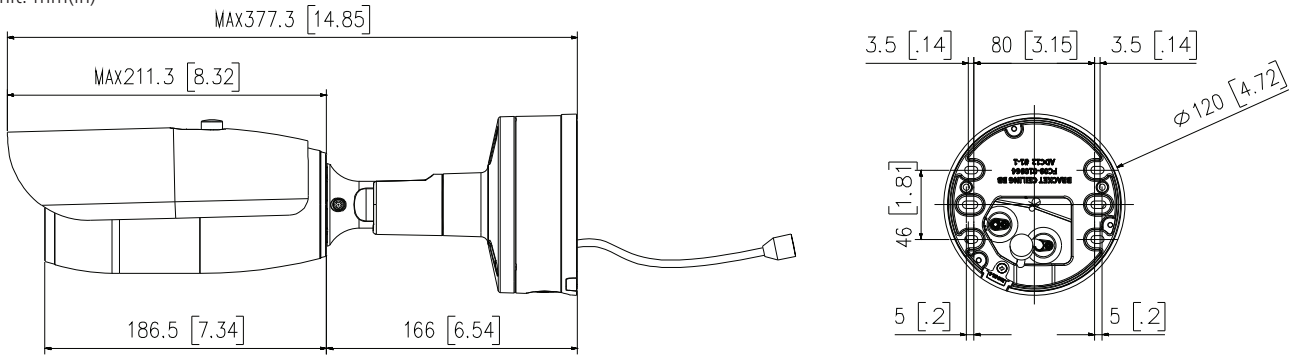
Specifications

Operational	2MP	5MP	8MP
Camera			
Image Sensor	Sony 1/2.8" Progressive Scan CMOS imager	Sony 1/2.8" Progressive Scan CMOS imager	Sony 1/1.8" Progressive Scan CMOS imager
Lens	2.7 mm – 13.5 mm, MFZ, P-Iris		3.6 – 11mm, MFZ, P-iris
	F1.6(W) – F3.1(T)	F1.31(W) – F2.37(T)	F1.3(W) – F2.15(T)
	One touch auto focus, manual, and automatic focus with zoom		
Field of View (FoV)	H: 103.1°(W) – 31.5°(T) V: 54.5°(W) – 17.7°(T)	H: 107.4°(W) – 34.2°(T) V: 56.2°(W) – 19.2°(T)	H: 112.1°(W) – 47.5°(T) V: 58.0°(W) – 26.6°(T)
Day/Night	True Day/Night CF removal		
Minimum Illumination	Color: 0.05 lux B/W: 0.005 lux 0 lux with IR		Color: 0.1 lux B/W: 0.01 lux 0 lux with IR
Electronic Shutter Control	Automatic, Manual (1/4 to 1/32000 sec)		
IR Illumination	850 nm, Smart / Adaptive IR, up to 50m (164 ft)		
Memory	2048 MB RAM, 4096 MB Flash		
Video			
Bandwidth Management	IntelliZip® Smart Codec		
Video Compression	H.264/H.265/MJPEG H.264 IntelliZip® / H.265 IntelliZip®		
Bitrate Control	CBR/VBR/CVBR (configurable)		
Max Resolution (HxV) & Aspect Ratio	16:9: 1920 x 1080 (2MP) to 480x272	4:3: 2560 x 1920 (5MP) to 480x272	16:9: 3840 x 2160 (8MP) to 480x272
Max Frame Rate (60 Hz/50 Hz)	2MP: 60/50 fps	2MP: 60/50 fps 5MP: 30/25 fps	2MP: 60/50 fps 8MP: 15/12.5 fps
Video Streams	Triple Streaming with a maximum of 5 concurrent shared streams		
Dual Full HD Video Stream	Supported		
Dynamic Range	True multi shutter WDR up to 141 dB Off, TWDR, TWDR 3x, SmartWDR		
SmartDefog	Supported		
Image Stabilization	Electronic image stabilization (EIS) using gyro sensor		
Image Orientation	None, Mirror, Flip, Flip and Mirror Corridor Mode (rotate 90° right or left)		
Picture Settings	Auto Exposure: Multiple Profiles (incl Auto, Gaming, LPR), Multiple ROI (incl AI ROI: Object, Person), Gain Control (Auto, Max, Manual), Flickerless, White Balance (Auto Normal, Auto Wide, Manual), text overlay		
Privacy Zones	10 user definable rectangular zones		
Analytics			
AI Object Classification	Classes: Person, Bicycle, Bus, Car, Motorbike, Train, Truck, Any Class Sub-Classes (attributes): Person Clothing Color (Upper, Lower), Vehicle Color Rules: Object Detected, Perimeter, Linger, Dwell, Abandoned/Removed, Enter, Exit, Crowd, Queue, Direction		
AI Tamper Detection	Blackout, Whiteout, Scene Change (FoV tamper)		
AI Blur Detection	Supported		
AI Metadata	Supported		
Motion Detection Zones	3 zones supported		
Network			
Network	IEEE 802.3, 10/100Base-T Ethernet, RJ45, auto sensing		
Cyber security	ISASecure ISA/IEC 62443-4-1 certified secure development Secure boot Signed and encrypted firmware		
Authentication and Security	TLS, HTTPS (HTTP over TLS), WS-Security, Certificate Management, Multi-level password protection, IP address filtering, HTTPS encryption, Enhanced Security (One-Click Security Hardening), User Access Log, Validate Complex Credentials, Disabling Unused Protocols, IEEE 802.1x (PEAP, EAP-TLS, EAPoL)		
Protocols	TCP/IP, IPv4, IPv6, TCP, UDP, HTTP, FTP, DHCP, WS-Discovery, DNS, DDNS, RTP, RTCP, RTSP, TLS, Unicast, Multicast, NTP, ICMP, IGMP, SMTP, WS-Security, IEEE 802.1x, PEAP, EAP-TLS, EAPoL, SSH, HTTPS, SOAP, WS-Addressing, CIFS, UPNP, LLDP, SIP, ARP, EAP-LEAP, QoS		
Network management	SNMPv1/v2c/v3(MIB-2)		
Simultaneous users	10 users		
System Integrations			
Application Programming Interface	ONVIF Profile S, G, T, M conformant Illustra iAPI via Connected partner program		
Event Triggers	Motion Detection, Tamper & Blur Detection, AI Object classification, Alarm Input, Network Loss, Periodic Event, Temperature		

Event Actions	Record to SD card, Snapshot, SMTP e-mail file transfer, FTP file transfer, CIFS, Auxiliary output, Audio clip playback, SIP Call		
Audio compression	G.711 μ -law		
Audio Input/Output	Bi-directional, 1x Line input and 1x Line output		
External I/O Terminals	1x Alarm In and 1x Alarm Out		
Peripherals			
Onboard Storage	microSDXC slot, Class 10 or better, up to 1TB supported (Card not included) Pre event / Post event 1- 10 sec Encrypted storage and streaming TrickleStor offline recording and backfilling		
Wireless configuration	Micro USB via optional USB Wi-Fi Dongle IA-KIT-WD-UUA		
Electrical			
Power	PoE 802.3af (802.3at Type 1) Class 3 24VAC		
	PoE (2MP) Typ. 0.11A / Max 0.23A Typ. 5.0W / Max 11.0W	PoE (5MP) Typ. 0.12A / Max 0.24A Typ. 5.6W / Max 11.4W	PoE (8MP) Typ. 0.13A / Max 0.27A Typ. 6.0W / Max 12.7W
	24VAC (2MP) Typ. 0.41A / Max 0.82A Typ. 5.2W / Max 11.3W	24VAC (5MP) Typ. 0.46A / Max 0.84A Typ. 5.8W / Max 11.7W	24VAC (8MP) Typ. 0.48A / Max 0.92A Typ. 6.2W / Max 13.0W
Dual Power Redundancy	Supported		
Physical			
Operating conditions	-50°C (-58°F) to +60°C (140°F) (IR off at +50° C/122° F) Start-up temperature: -40°C (-40°F) Humidity up to 95% RH, Non-Condensing		
Casing	IP66, IP67, NEMA 4x and IK10 Housing: Aluminum alloy Other housing material: Polycarbonate Color: Signal White Pantone RAL 9003		
Dimensions	Ø91 (Camera) x 352.5 (L) mm with back box (without sunshield), Backbox is Ø120		
Weight	Net 1.80 kg (3.97 lbs.), Gross 2.4Kg (5.30 lbs.)		
Regulatory			
EMC	CE/UKCA: EN 55032 Class A, EN 61000-3-2, EN 61000-3-3, EN 50130-4, EN 61000-4-2, EN 61000-4-3, EN 61000-4-4, EN 61000-4-5, EN 61000-4-6, EN 61000-4-11, BS EN 55032, BS EN 50130-4, BS EN 61000-3-2, BS EN 61000-3-3 ICES-003 Class A CFR 47 FCC Part 15 Subpart B Class A RCM AS/NZS CISPR 32 Class A KS C 9832 Class A, KS C 9835		
Safety	UL 62368-1, CAN/CSA C22.2 No. 62368-1 KC 62368-1 BIS IS13252 Part 1 IEC 62471		
Environmental	IEC 60529 IP66, IEC 60529 IP67 IEC 62262 IK10 BS EN IEC 63000 ROHS, REACH NEMA 250 Type 4x		
General			
Web Browsers	Microsoft Edge, Firefox, Safari, Chrome		
Language	Arabic, Chinese (Simplified), Chinese (Traditional), Czech, Danish, English (default), French, German, Hungarian, Italian, Japanese, Korean, Netherlands, Polish, Portuguese, Russian, Spanish, Swedish, Turkish		
NDA Compliant	Yes		
Warranty	5 Years		

Camera Dimensions

Unit: mm(in)



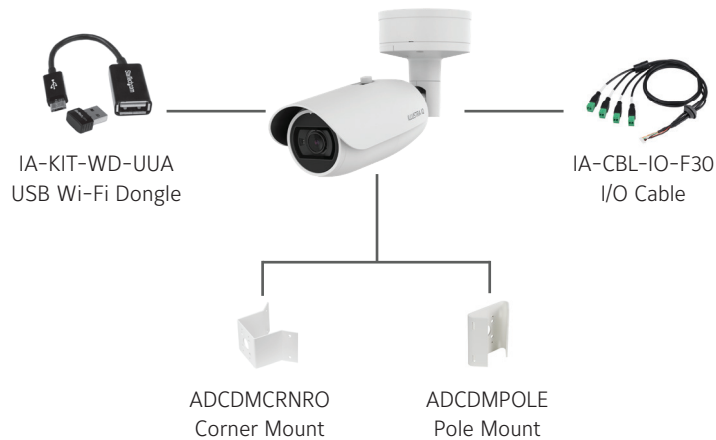
Ordering Information

Model Number	Sales Description
IFS02-B12-OIB4	Illustra Flex Gen4 2MP Bullet, 2.7-13.5mm, AI, TDN w/IR, TWDR, EIS, IP66/67, IK10
IFS05-B12-OIB4	Illustra Flex Gen4 5MP Bullet, 2.7-13.5mm, AI, TDN w/IR, TWDR, EIS, IP66/67, IK10
IFS08-B13-OIB4	Illustra Flex Gen4 8MP/4K Bullet, 3.6-11mm, AI, TDN w/IR, TWDR, EIS, IP66/67, IK10

Optional Accessories

Model Number	Description
IA-CBL-IO-F30	I/O cable
IA-KIT-WD-UUA	Wi-Fi Dongle Kit
ADCDMCRNRO	Corner Mount Adapter, White
ADCDMPOLE	Pole Mount Adapter, White

Accessory Chart



© 2024 Johnson Controls. All rights reserved. Product offerings and specifications are subject to change without notice.

Actual products may vary from photos. Not all products include all features. Availability varies by region; contact your sales representative.

IL1471-DS-202401-R01-HS-EN