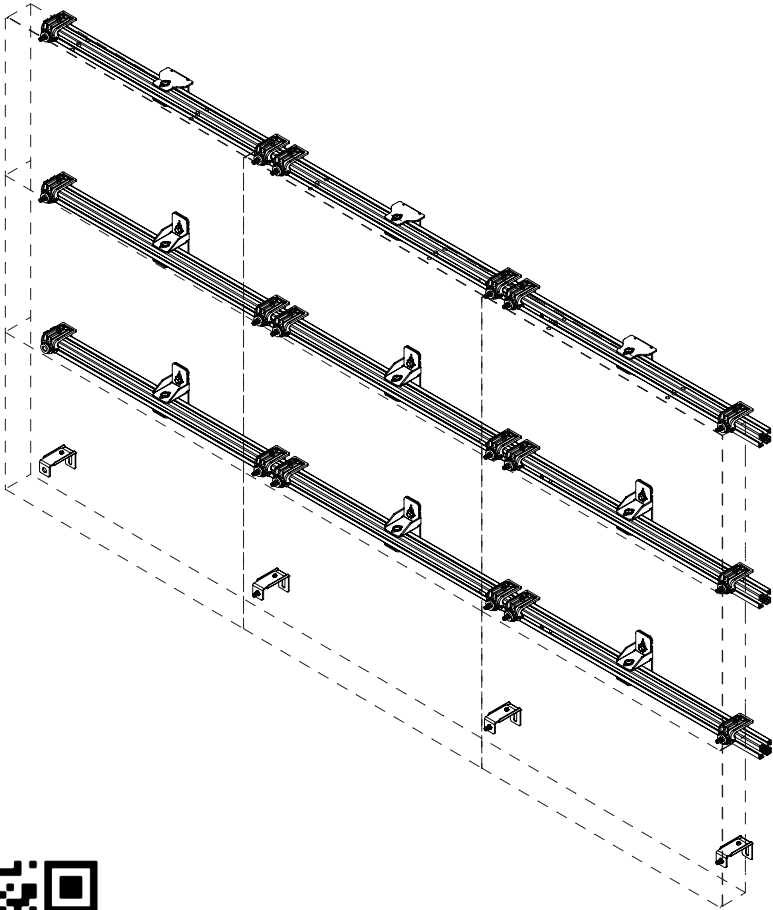




SEAMLESS Kitted Universal Series

*Actual configuration may vary

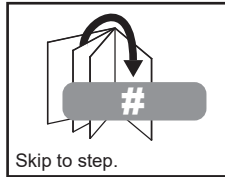
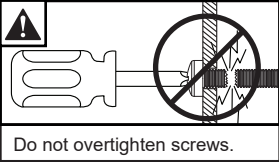


ENG Installation video for reference only.
Read and follow instruction manual for full installation.

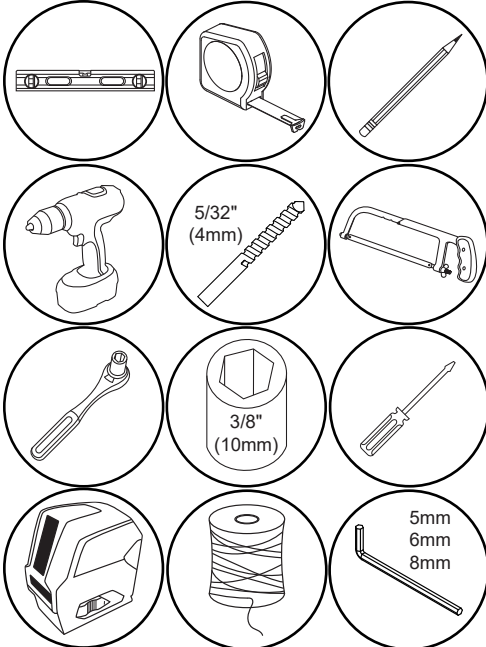
⚠ WARNING

This product is designed to be installed on plywood walls. Hardware is included for plywood installation. This product is designed to be installed on flat, unobstructed, vertical walls. Do not install on curved or angled walls. Before installing make sure the supporting surface will support the combined load of the equipment and hardware. Screws must be tightly secured. Do not over tighten screws or damage can occur and product may fail. Never exceed the Maximum Load Capacity. Always use an assistant or mechanical lifting equipment to safely lift and position equipment. This product is intended for indoor use only. Use of this product outdoors could lead to product failure or personal injury. Be careful not to pinch fingers when operating the mount. For support please call customer care at 1-800-865-2112.

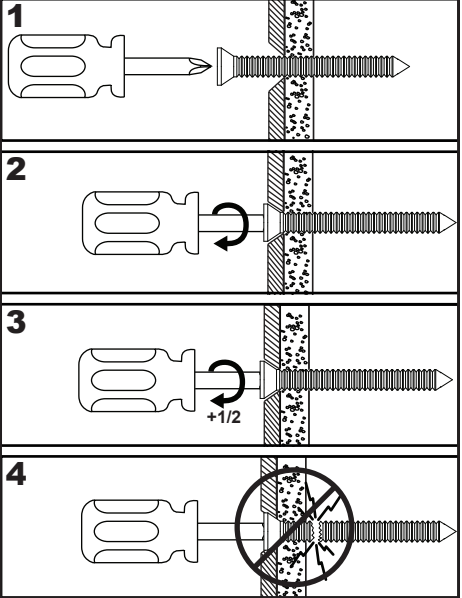
Symbols



Tools Needed for Assembly.

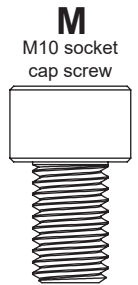
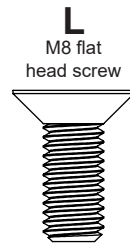
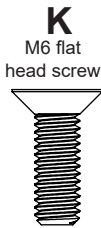
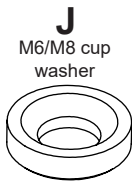
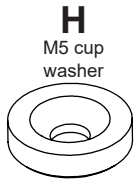
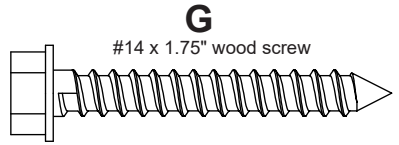
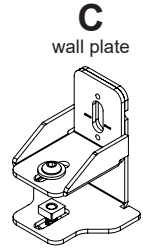
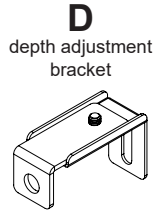
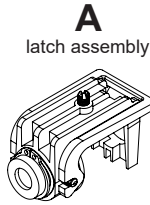
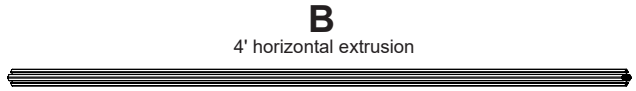


To properly tighten screws: Tighten until screw head makes contact, then tighten another 1/2 turn. Do not over tighten screws.

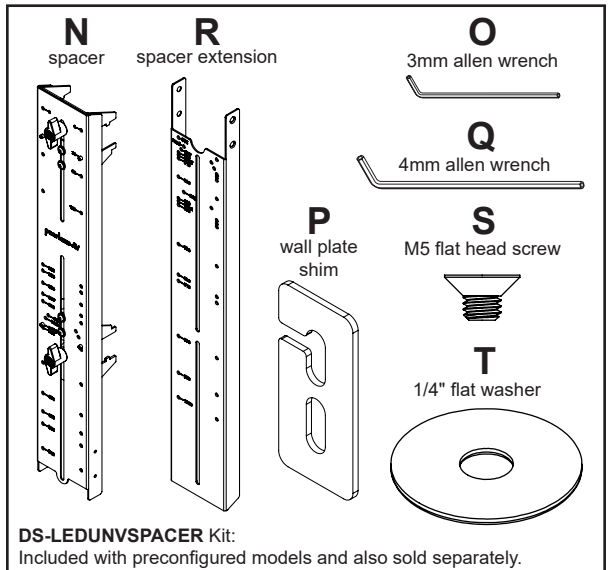


Parts (Before beginning, make sure you have all parts shown below). *Refer to parts list included with your model.

Parts List	
Description	Qty.*
A latch assembly	
B 4" horizontal extrusion	
C wall plate	
D depth adjustment bracket	
E connector plate	
F 1/4" SAE washer	
G #14 x 1.75" wood screw	
H M5 cup washer	
I M5 flat head screw	
J M6/M8 cup washer	
K M6 flat head screw	
L M8 flat head screw	
M M10 socket cap screw	



Parts List	
Description	Qty.
N spacer	2
O 3mm allen wrench	1
P wall plate shim	10
Q 4mm allen wrench	1
R spacer extension	2
S M5 flat head screw	8
T 1/4" flat washer	8

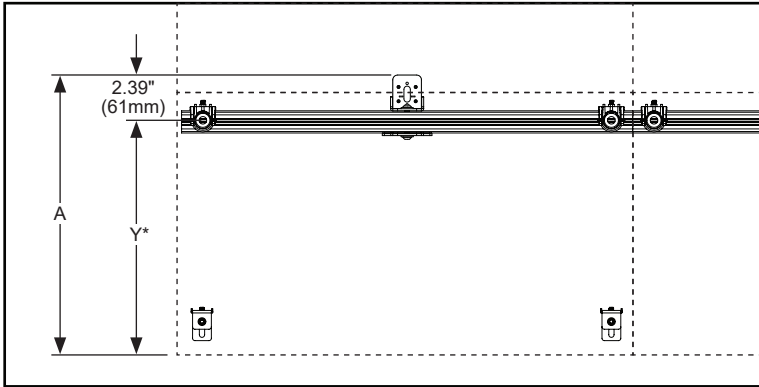


ENG This page intentionally left blank.

1-1

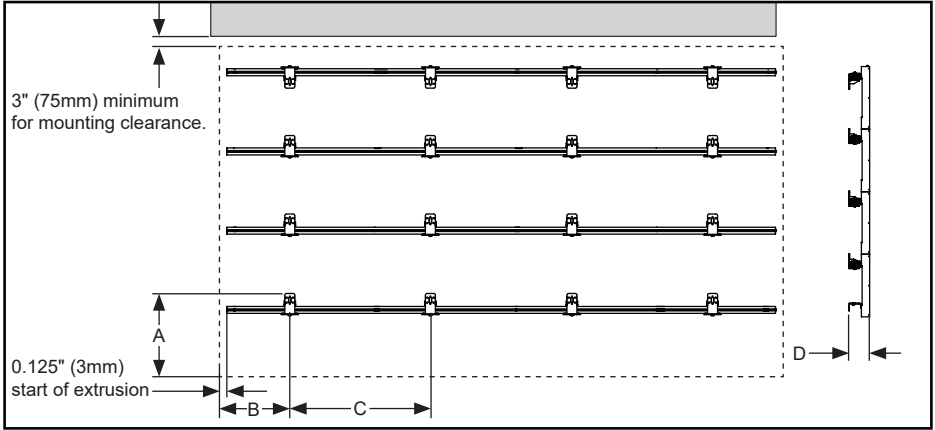
If display model is not listed on table in the following step, use formula provided to calculate the "A" dimension.
Y* = bottom of display tile to top pair of mounting holes on back of display.

$$A = Y^* + 2.39" (61\text{mm})$$



1-2

See table and drawing below for dimensions that will locate mount on the wall.



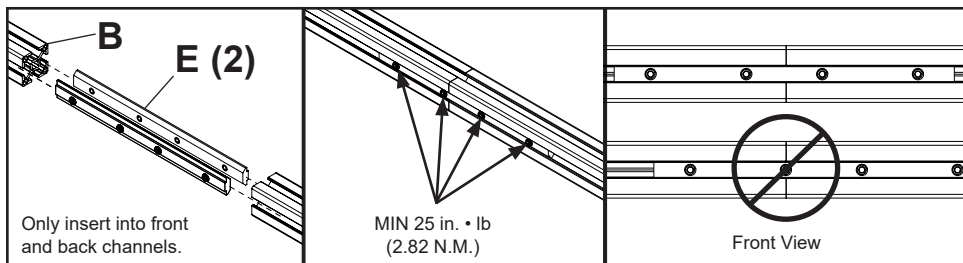
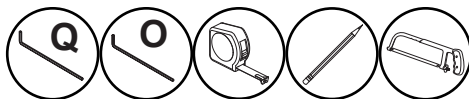
Compatible Display	Bottom of video wall to top of first wall plate Dimension A	Side of video wall to center of first wall plate Dimension B	Center to center wall plates Dimension C	System Depth Range Dimension D
Absen A27-V3	13.59" (345mm)	12" (305mm)	24" (610mm)	4.48"-5.24" (114-133mm)
Absen A27 Pro/Plus	13.53" (345mm)	12" (305mm)	24" (610mm)	4.67"-5.42" (119-138mm)
Absen CL V2	13.59" (345mm)	12" (305mm)	24" (610mm)	4.70"-5.45" (119-138mm)
Absen K Plus (1000x500)	21.29" (541mm)	19.69" (500mm)	39.37" (1000mm)	5.2"-5.95" (132-151mm)
Absen K Plus (500x750)	27.78" (706mm)	9.84" (250mm)	19.69" (500mm)	5.2"-5.95" (132-151mm)
Absen KL	20.22" (514mm)	12.60" (320mm)	25.19" (640mm)	5.08"-5.83" (129-148mm)
Absen KL II (320-180)	8.49" (216mm)	6.3" (160mm)	12.60" (320mm)	5.31"-6.06" (135-154mm)
Absen KL II (640x360)	15.58" (396mm)	12.60" (320mm)	25.20" (640mm)	5.31"-6.06" (135-154mm)
Absen KLCOB V2	15.1" (383mm)	11.81" (300mm)	23.62" (600mm)	4.28"-5.03" (109-128mm)
Absen NX 240X540	22.94" (583mm)	4.72" (120mm)	9.45" (240mm)	4.45"-5.2" (113-132mm)
Absen NX 960X540	22.94" (583mm)	18.9" (480mm)	37.8" (960mm)	4.45"-5.2" (113-132mm)
AOTO CV	14.81" (376mm)	11.81" (300mm)	23.62" (600mm)	4.21"-4.96" (107-126mm)
Barco NT	14.97" (380mm)	11.81" (300mm)	23.62" (600mm)	4.29"-5.04" (109-128mm)
Barco XT	15.05" (382mm)	12" (305mm)	24" (610mm)	5.51"-6.26" (140-159mm)
Blue Square BSX	15.03" (382mm)	11.81" (300mm)	23.62" (600mm)	4.12"-4.87" (105-124mm)
BOE BYH-B	14.82" (376mm)	11.81" (300mm)	23.62" (600mm)	4.59"-5.34" (117-136mm)
Christie CSII	14.50" (368mm)	11.81" (300mm)	23.62" (600mm)	4.2"-4.95" (107-126mm)
Christie CSIII	14.50" (368mm)	11.81" (300mm)	23.62" (600mm)	3.88"-4.63" (99-118mm)
Dahua CH II	14.89" (378mm)	11.81" (300mm)	23.62" (600mm)	4.31"-5.06" (109-128mm)
DVS DioPlex 960x960	39.18" (995mm)	18.9" (480mm)	37.8" (960mm)	6.25"-7" (159-178mm)
DVS DioPlex HD 500x1000	40.79" (1036mm)	9.84" (250mm)	19.69" (500mm)	5.95"-6.7" (151-170mm)
Fabulux T Series (1000x500)	21.11" (536mm)	9.84" (250mm)	19.69" (500mm)	4.01"-4.76" (102-121mm)
HIK CWF/CWF III / CWFH III	14.87" (378mm)	11.81" (300mm)	23.62" (600mm)	4.7"-5.45" (119-139mm)
HIK ZWDH	15.03" (382mm)	11.81" (300mm)	23.62" (600mm)	4.53"-5.28" (115-134mm)
Imaginis 1.x-Mod	14.59" (371mm)	11.81" (300mm)	23.62" (600mm)	5.02"-5.77" (128-147mm)
InfILED EZ Series	20.89" (531mm)	9.84" (250mm)	19.69" (500mm)	5.71"-6.46" (145-164mm)
InfILED WK/WP/WT	14.39" (365mm)	11.81" (300mm)	23.62" (600mm)	3.91"-4.64" (99-118mm)
InfILED WV	27.78" (706mm)	11.81" (300mm)	23.62" (600mm)	4.35"-5.1" (111-130mm)
Jupiter ZAVUS XP-P0.7	11.45" (291mm)	9.45" (240mm)	18.9" (480mm)	3.84"-4.59" (98-117mm)
Jupiter ZAVUS XP-P0.9/1.2	13.71" (348mm)	11.81" (300mm)	23.62" (600mm)	3.84"-4.59" (98-117mm)
Just Video 05-IND-A01	14.42" (366mm)	11.81" (300mm)	23.62" (600mm)	4.27"-5.02" (109-128mm)
LED Studio SOLARIS	14.89" (378mm)	11.81" (300mm)	23.62" (600mm)	4.29"-5.04" (109-128mm)
Leyard GF	19.87" (505mm)	12.6" (320mm)	25.2" (640mm)	5.65"-6.4" (144-163mm)
Leyard VDS	14.89" (378mm)	11.81" (300mm)	23.62" (600mm)	4.46"-5.21" (113-132mm)
LG LSBB (GD)	15.14" (384mm)	11.81" (300mm)	23.62" (600mm)	4.92"-5.67" (125-144mm)
LG LSBC	40.78" (1036mm)	9.84" (250mm)	19.69" (500mm)	5.42"-6.17" (138-157mm)
LG LSCA (1000 TALL) GK	40.66" (1033mm)	9.84" (250mm)	19.69" (500mm)	5.3"-6.05" (135-154mm)
LG LSCA (1000 TALL) GN	40.66" (1033mm)	9.84" (250mm)	19.69" (500mm)	5.42"-6.21" (138-157mm)
LG LSCA (500 TALL) GK2	20.97" (533mm)	9.84" (250mm)	19.69" (500mm)	5.3"-6.05" (135-154mm)

Compatible Display	Bottom of video wall to top of first wall plate Dimension A	Side of video wall to center of first wall plate Dimension B	Center to center wall plates Dimension C	System Depth Range Dimension D
LG LSCB	14.39" (365mm)	11.81" (300mm)	23.62" (600mm)	3.91"-4.66" (99-118mm)
LG LSCB Portrait	25.07" (637mm)	16.64" (419mm)	13.29" (338mm)	3.91"-4.66" (99-118mm)
LG LWBC (1000 TALL) GD	40.78" (1036mm)	9.84" (250mm)	19.69" (500mm)	5.38"-6.13" (137-156mm)
LG LWBC (750 TALL) DD	30.93" (786mm)	9.84" (250mm)	19.69" (500mm)	5.46"-6.21" (139-158mm)
LG LSAC	27.59" (701mm)	11.81" (300mm)	23.62" (600mm)	3.86"-4.61" (98-117mm)
LG LSBE	14.89" (378mm)	11.81" (300mm)	23.62" (600mm)	5.55"-6.3" (141-160mm)
LG LSBF	28.17" (716mm)	11.81" (300mm)	23.62" (600mm)	5.57"-6.32" (142-161mm)
Linsin MA 640X480	19.91" (506mm)	12.6" (320mm)	25.2" (640mm)	TBD
Linsin N169	15.07" (383mm)	11.81" (300mm)	23.62" (600mm)	TBD
Macropix Imaginis J	14.69" (373mm)	11.81" (300mm)	23.62" (600mm)	TBD
Macropix Mobilis FT	21.11" (536mm)	19.69" (500mm)	39.37" (1000mm)	4.11"-4.86" (104-124mm)
MAXHUB M27	14.91" (379mm)	12.01" (305mm)	24.02" (610mm)	3.96"-4.71" (101-120mm)
Mobilis FT 1000x500	21.11" (536mm)	9.84" (250mm)	19.69" (500mm)	4.11"-4.86" (104-124mm)
Mobilis FT 500x500	21.11" (536mm)	9.84" (250mm)	19.69" (500mm)	4.01"-4.76" (102-121mm)
Mobilis F2.6XRMBV-MOD 500x750	30.95" (786mm)	9.84" (250mm)	19.69" (500mm)	5.15"-5.90" (131-150mm)
Panavisual CS261	20.89" (531mm)	9.84" (250mm)	19.69" (500mm)	5.1"-5.85" (130-149mm)
Panavisual CU181	20.11" (511mm)	9.45" (240mm)	18.90" (480mm)	4.75"-5.5" (121-140mm)
Philips 27BDL6000	15.07" (383mm)	11.97" (304mm)	23.94" (608mm)	5.06"-5.81" (129-148mm)
Philips 27BDL9000	15.07" (383mm)	11.97" (304mm)	23.94" (608mm)	4.86"-5.61" (123-142mm)
Philips 27HDL51XXIP	14.89" (378mm)	11.81" (300mm)	23.62" (600mm)	4.10"-4.85" (104-123mm)
Philips 28HDL5000	21.21" (539mm)	9.84" (250mm)	19.69" (500mm)	4.39"-5.14" (112-131mm)
Philips 44HDL5000	40.89" (1039mm)	9.84" (250mm)	19.69" (500mm)	4.47"-5.22" (114-133mm)
Philips 55HDL70xxIA	25.31" (643mm)	11.91" (302mm)	23.81" (605mm)	3.78"-4.53" (96-115mm)
Planar DLP-27	15" (381mm)	11.91" (302mm)	23.81" (605mm)	5.31"-6.06" (135-154mm)
Planar DLP-36	28.39" (721mm)	11.91" (302mm)	23.81" (605mm)	5.31"-6.06" (135-154mm)
Planar TVF	14.99" (381mm)	11.91" (302mm)	23.81" (605mm)	5.1"-5.85" (130-149mm)
Primeview 220 Fusion Max	14.91" (379mm)	12.01" (305mm)	24.02" (610mm)	3.96"-4.71" (101-120mm)
QST Quanta	14.39" (365mm)	11.81" (300mm)	23.62" (600mm)	4.18"-4.93" (106-125mm)
Samsung IEC/IEC-L	14.69" (373mm)	11.81" (300mm)	23.62" (600mm)	4.24"-4.99" (108-127mm)
SBC CRYSTAL	15.06" (382mm)	11.81" (300mm)	23.62" (600mm)	4.2"-4.95" (107-126mm)
Sharp/NEC E Series	14.94" (379mm)	11.81" (300mm)	23.62" (600mm)	3.88"-4.63" (99-118mm)
Sharp/NEC FAFE	14.91" (379mm)	11.81" (300mm)	23.62" (600mm)	4.67"-5.42" (119-138mm)
SNA VST	18.93" (481mm)	7.87" (200mm)	15.75" (400mm)	4.55"-5.3" (116-135mm)
SNA VTI 400X450	19.42" (493mm)	7.87" (200mm)	15.75" (400mm)	5.3"-6.05" (135-154mm)
Sony BH/CH (Cancun)	13.59" (345mm)	12.01" (305mm)	24.02" (610mm)	5.46"-6.21" (139-158mm)
Sony Crystal B&C	14.87" (378mm)	11.97" (304mm)	23.94" (608mm)	4.65"-5.4" (118-137mm)
Sony Verona	21.60" (549mm)	9.84" (250mm)	19.69" (500mm)	6.4"-7.15" (163-182mm)
Stratech ST150LI-PRO	28.18" (716mm)	11.81" (300mm)	23.62" (600mm)	4.5"-5.25" (114-133mm)
Unilumin UHWII	15.11" (384mm)	12.01" (305mm)	24.02" (610mm)	5.38"-6.13" (137-156mm)
Unilumin UHWIII	14.97" (380mm)	11.81" (300mm)	23.62" (600mm)	4.24"-4.99" (108-127mm)
Unilumin ULWIII	14.89" (378mm)	11.81" (300mm)	23.62" (600mm)	4.49"-5.24" (114-133mm)
Unilumin Umini	15.09" (383mm)	11.81" (300mm)	23.62" (600mm)	5.65"-6.4" (144-163mm)
Unilumin UMINI III (Pro)	14.89" (378mm)	11.81" (300mm)	23.62" (600mm)	4.33"-5.08" (110-129mm)
Unilumin Upanel II	15.11" (384mm)	12.01" (305mm)	24.02" (610mm)	5.42"-6.17" (138-157mm)
Unilumin UpanelS	15.05" (382mm)	12.01" (305mm)	24.02" (610mm)	5.51"-6.26" (140-159mm)
Unilumin UpanelSII	15.11" (384mm)	12.01" (305mm)	24.02" (610mm)	5.3"-6.05" (135-154mm)
Unilumin Uslim II (500X1000)	40.97" (1041mm)	9.84" (250mm)	19.69" (500mm)	4.26"-5.01" (108-127mm)
Unilumin Uslim II (500X250)	11.45" (291mm)	9.84" (250mm)	19.69" (500mm)	4.26"-5.01" (108-127mm)
Unilumin Uslim II (500X500)	21.29" (541mm)	9.84" (250mm)	19.69" (500mm)	4.26"-5.01" (108-127mm)
Unilumin UTWIII	22.86" (581mm)	18.90" (480mm)	37.80" (960mm)	3.85"-4.6" (98-117mm)
Vanguard Axion 600x337.5	14.89" (378mm)	11.81" (300mm)	23.62" (600mm)	5"-5.75" (127-146mm)
Vanguard Axion 300x337.5	14.89" (378mm)	5.91" (150mm)	11.81" (300mm)	5"-5.75" (127-146mm)
Vanguard Invictus 600x337.5	13.71" (348mm)	11.81" (300mm)	23.62" (600mm)	3.86"-4.61" (98-117mm)
Vanguard LA 43"	22.47" (571mm)	18.90" (480mm)	37.80" (960mm)	4.27"-5.02" (109-128mm)
Vanguard LA 55"	28.05" (712mm)	11.93" (303mm)	23.86" (606mm)	4.29"-5.04" (109-128mm)
Vanguard Sirius 1200x675	27" (686mm)	11.81" (300mm)	23.62" (600mm)	3.86"-4.61" (98-117mm)
Vanguard Zirconium 500x250	11.64" (296mm)	9.84" (250mm)	19.69" (500mm)	4.38"-5.13" (111-130mm)
Vanguard Zirconium 750x250	11.64" (296mm)	14.76" (375mm)	29.53" (750mm)	4.38"-5.13" (111-130mm)
Vanguard Zirconium 1000x250	11.64" (296mm)	9.84" (250mm)	19.69" (500mm)	4.38"-5.13" (111-130mm)
WORTH IFA 1000X250	11.17" (284mm)	9.84" (250mm)	19.69" (500mm)	3.92"-4.67" (100-119mm)
WORTH UHD 600X337.5	14.89" (378mm)	11.81" (300mm)	23.62" (600mm)	4.31"-5.06" (110-129mm)

ENG This page intentionally left blank.

2

Optional: connecting two horizontal extrusions.



Only insert into front and back channels.

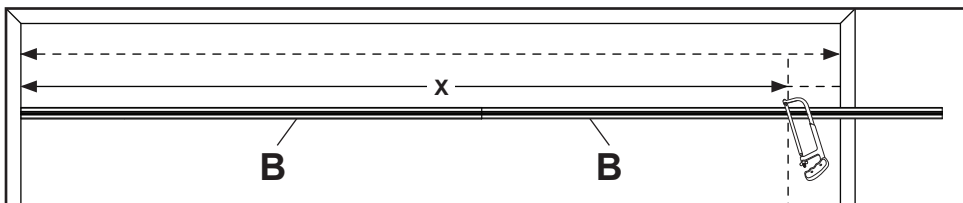
MIN 25 in. • lb
(2.82 N.M.)

Front View

2-1

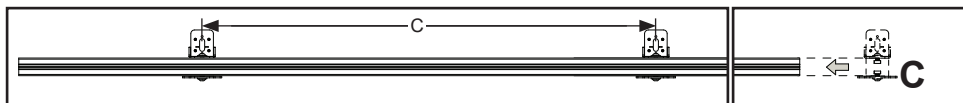
Determine the required extrusion length with the following extrusion cut to length formula:

$$\text{Video Wall Width} - 0.25" (6\text{mm}) = \text{Extrusion Length}$$



2-2

Now that the extrusions are cut to length, separate the extrusions and slide wall plates onto extrusions and tighten with the wall plate fully extended (one wall plate per display unless the display is >960mm wide, in which case there will be two wall plates per display).

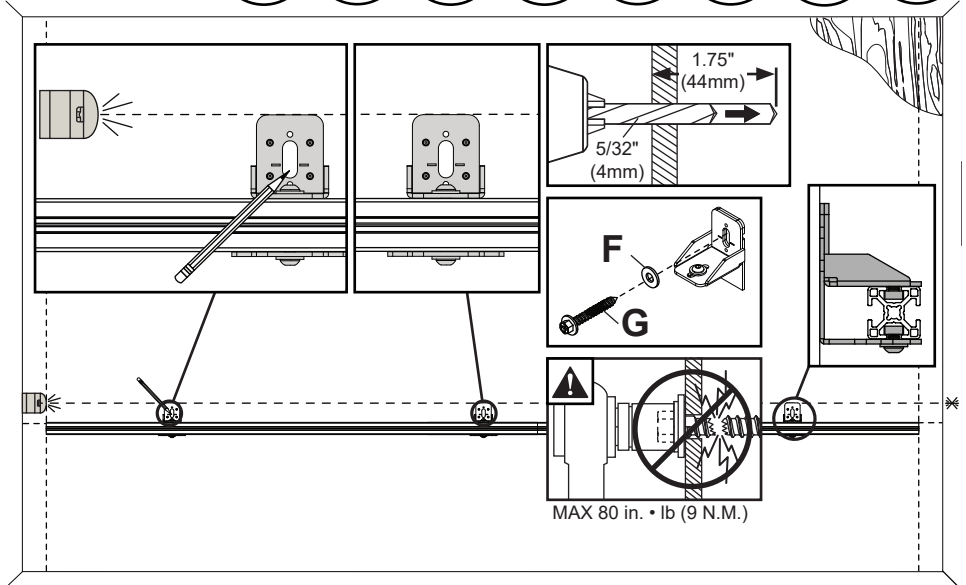
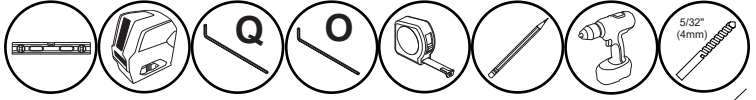


⚠ WARNING

When installing Peerless wall mounts on a wood stud wall covered with plywood, verify that the wood studs are a minimum of 2" x 4" nominal size and plywood is a minimum Grade BC, 1/2" (13mm) thick. Plywood may be covered by gypsum board (drywall) up to 5/8" thick.

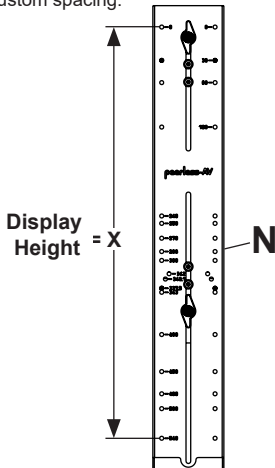
2-3

Install the bottom row, first extrusion assembly, on the laser line per table (step 1), dimension "A". Install additional bottom row extrusions one at a time using connector plates to join extrusions. Drill mounting holes and install screws and washers with top edge of the wall plates on the laser line.



3

Determine the height of the display being mounted and locate the same dimension on the front of the spacer. If the display height is above 540mm, add the spacer extension. If display height is not listed on the spacer, measure the display to set custom spacing.



X > 540mm



X ≤ 540mm

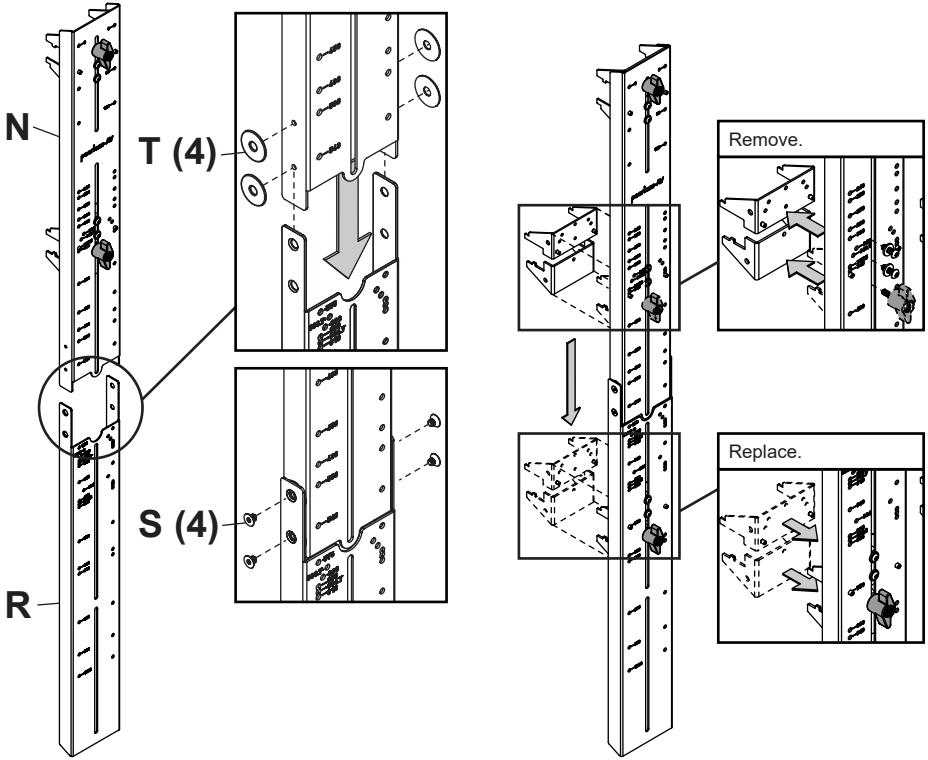


X = Not listed



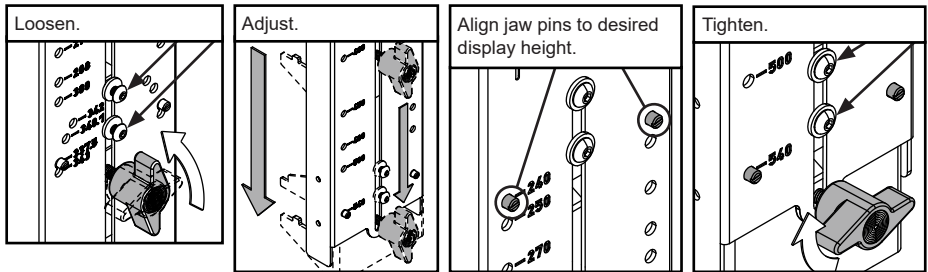
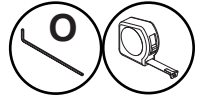
3-1

Add the extension for displays taller than 540mm. Move the spacer bracket and clamp to the lower extension.



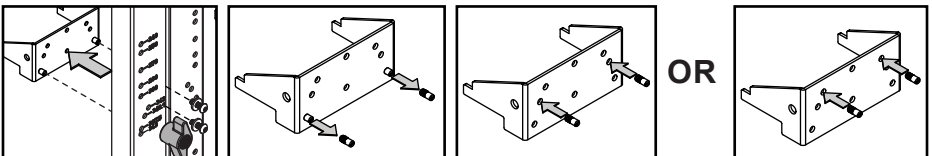
4a

Move spacer bracket and clamp to the desired display height. This may require adjusting the pins of spacer bracket.



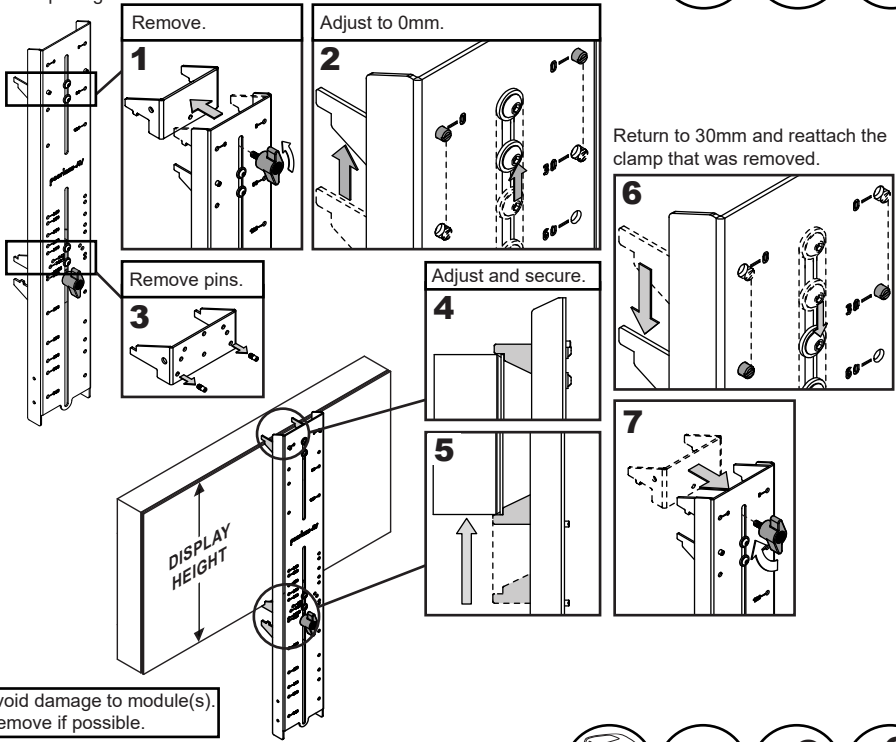
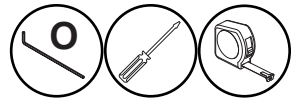
4a-1

Optional: Remove and replace pins to align with correct display height.



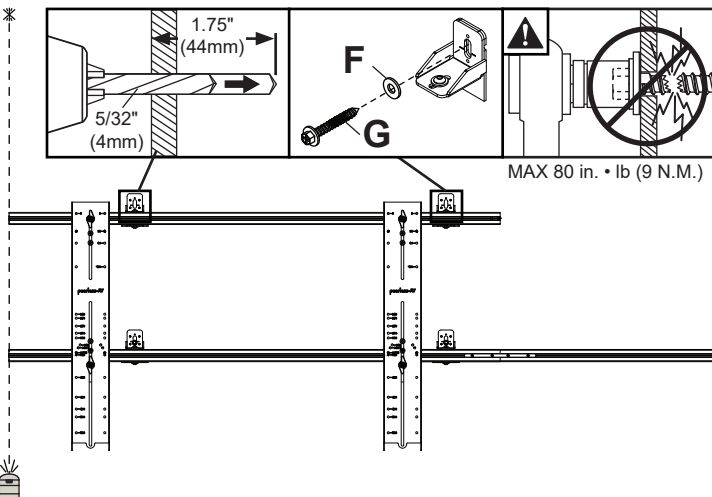
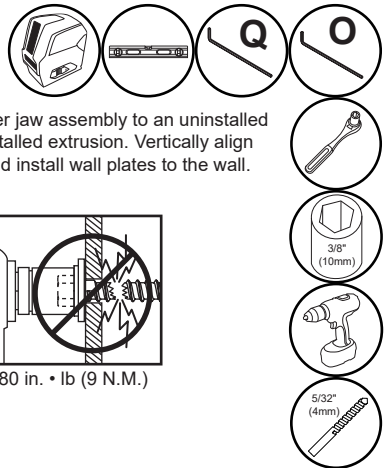
4b

If the display height is not listed on the spacer, measure the display to set the spacing.



5

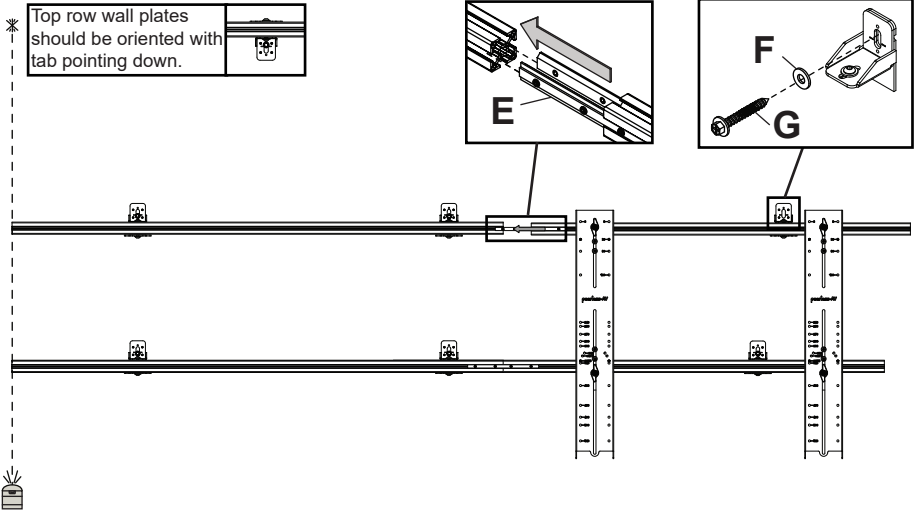
Install remaining extrusions using the spacers. Clamp the upper spacer jaw assembly to an uninstalled extrusion assembly. Clamp the bottom spacer jaw assembly to the installed extrusion. Vertically align extrusions with a laser. Drill mounting holes into supporting surface and install wall plates to the wall.



6

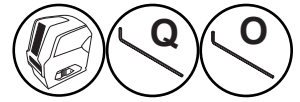
Loosen clamps and remove spacers.
Repeat steps above to install the next extrusion.

Engage and secure connector plate to mounted extrusions. Secure wall plates to wall. Remove spacer when extrusions are fully secured.

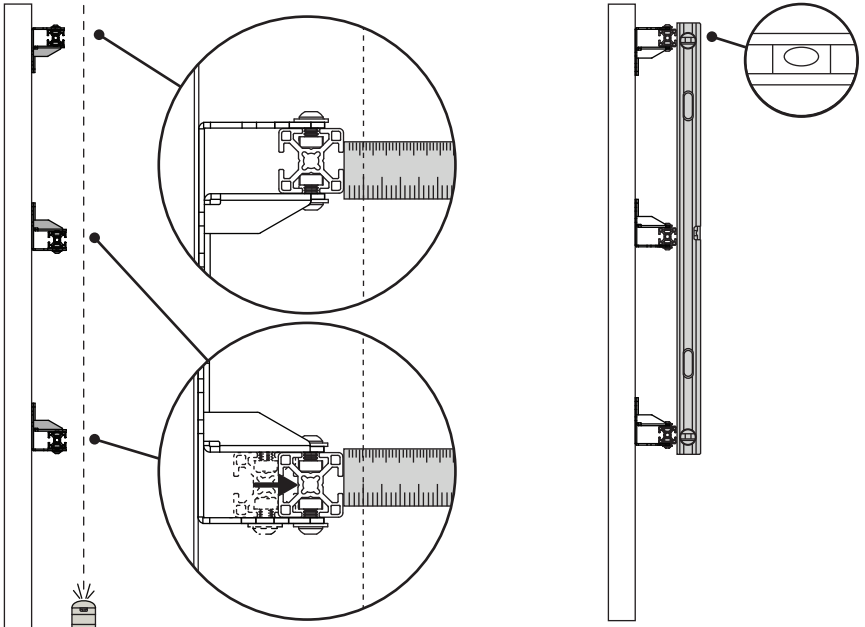


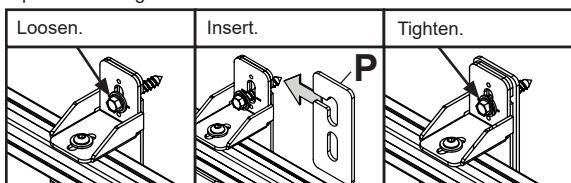
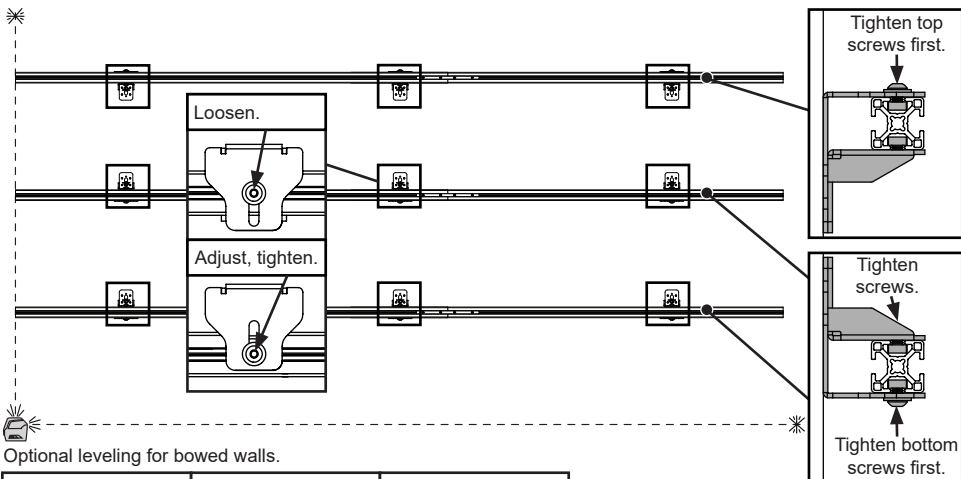
7

Set a laser level so that it is parallel to the mounting surface (wall). Measure to the face of the extrusion so that all points of the extrusion are the same distance from the laser line, creating one flat plane across the face of the mount. Tighten screws.

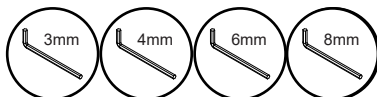
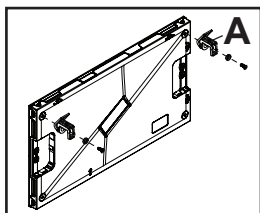


Double check using a straight edge to span three extrusions. Adjust low and high spots as needed.

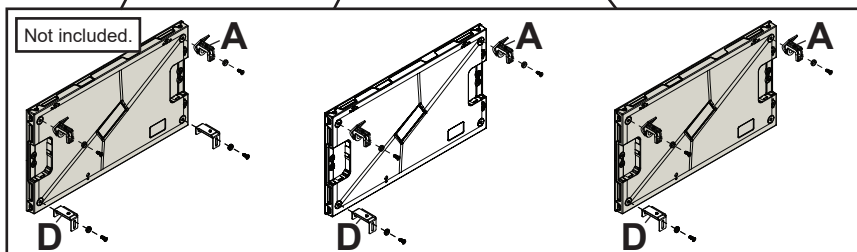
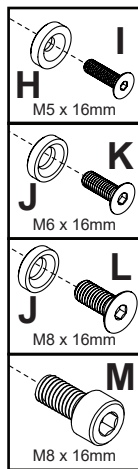
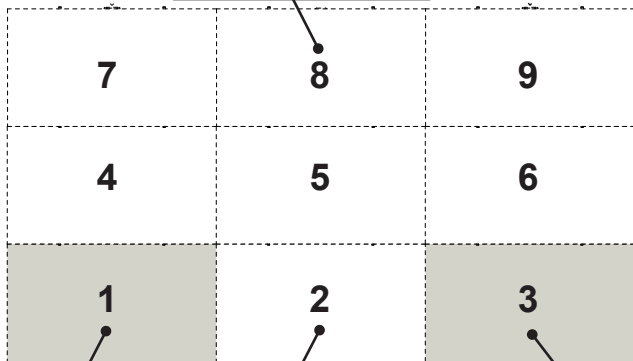




8



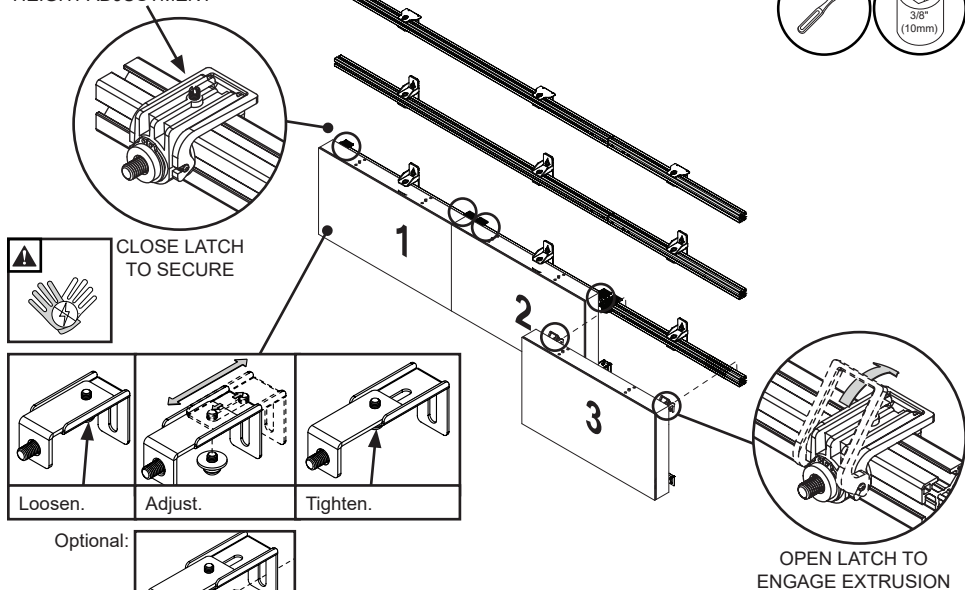
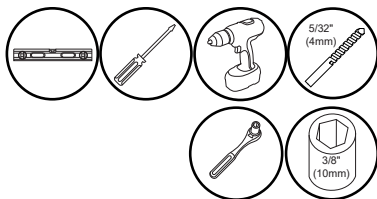
If mounting hardware is preinstalled, remove and replace with hardware provided.



9

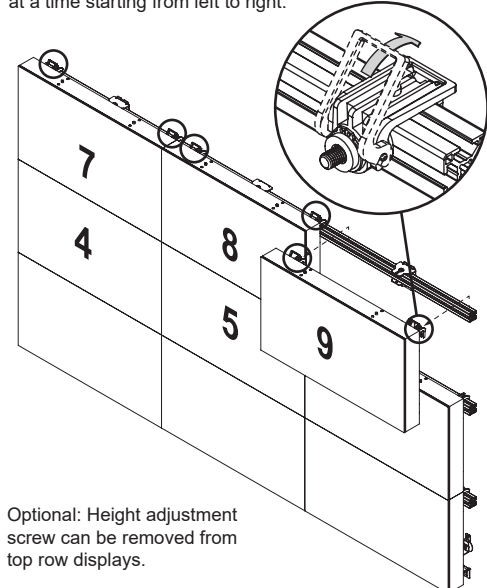
Hook display cabinets onto horizontal extrusion, adjust height to level and join cabinets together using connecting system. Adjust plumb, close latch, then run cables one at a time starting from left to right.

HEIGHT ADJUSTMENT



9-1

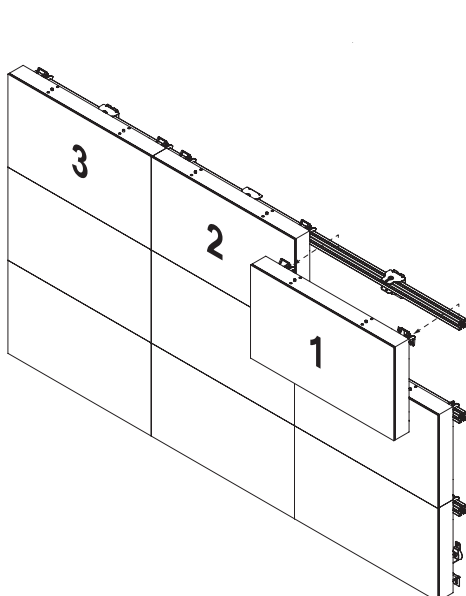
Hook display cabinets onto horizontal extrusion, adjust height to level and join cabinets together using connecting system. Close latch, then run cables one at a time starting from left to right.



Optional: Height adjustment screw can be removed from top row displays.

9-2

To remove, start from the top right. Open latch assemblies, disconnect cables, separate cabinets and remove displays one at a time.



ENG Warranty	ESP Garantía	FRN Garantie	DEU Garantie	NEL Garantie
ITL Garanzia	ČES Záruka	SLK Záruka	POR Garantia	TÜR Garanti

www.peerless-av.com/warranty • www.peerless-av.com • www.peerless-av.com/patents

peerless-AV[®]

Peerless-AV
2300 White Oak Circle
Aurora, IL 60502, USA
info@peerless-av.com

(800) 865-2112
(630) 375-5100

Peerless-AV EMEA
Unit 2, Curo Park
Frogmore, St. Albans,
Hertfordshire, AL2 2DD
United Kingdom

+44 (0) 1923 200 100

Peerless-AV B.V.
Papendorpseweg 75
3528 BJ Utrecht
The Netherlands

+31 (0) 70 770 8037

Peerless-AV Latin America
Av. de las Industrias 413
Parque Industrial Escobedo
General Escobedo N.L.,
México 66062

+52 (81) 8384-8300