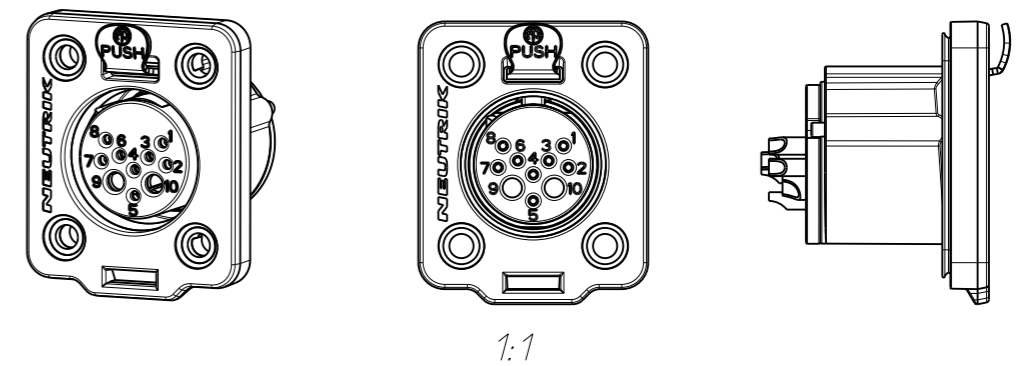
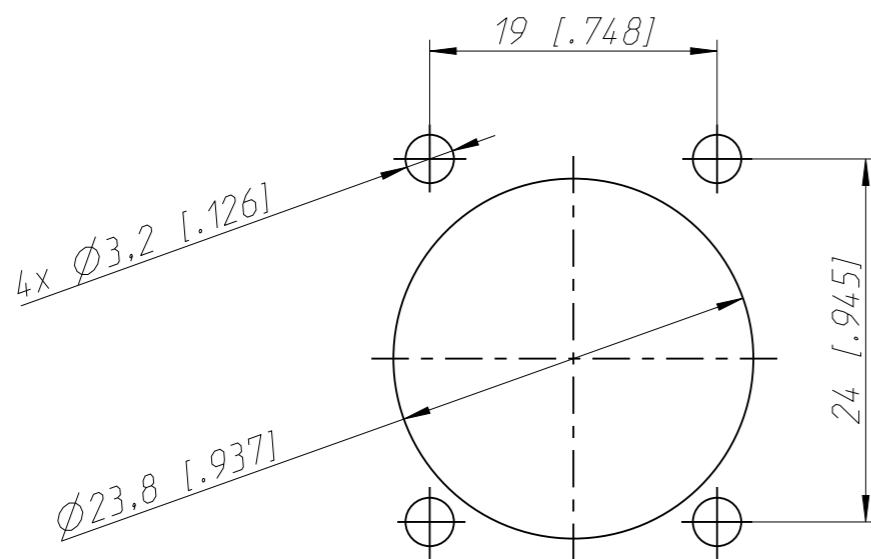


Frontplattenausschnitt  
panel cut out



|                                 |                |                         |                         |                            |      |
|---------------------------------|----------------|-------------------------|-------------------------|----------------------------|------|
| Sheet Number<br>1/1             | Projection<br> | Scale<br>2:1            | Format<br>A3            | Tolerancing<br>ISO 2768-mK |      |
| ECN Number<br>-                 |                |                         | Created                 | 08.05.2020                 | bej  |
| Description<br><br>NC 10FDX-TOP |                |                         | Modified                | n.a.                       | n.a. |
|                                 |                |                         | Approved                | 01.07.2021                 | bej  |
|                                 |                |                         | Status                  | Released                   |      |
| NEUTRIK                         |                | 3D Model ID<br>30008962 | Document ID<br>20003527 | Revision<br>-              |      |