



**WB-800-FP**

# **WattBox® Rack Mountable Faceplate Display**



## **Quick Start Guide**

---

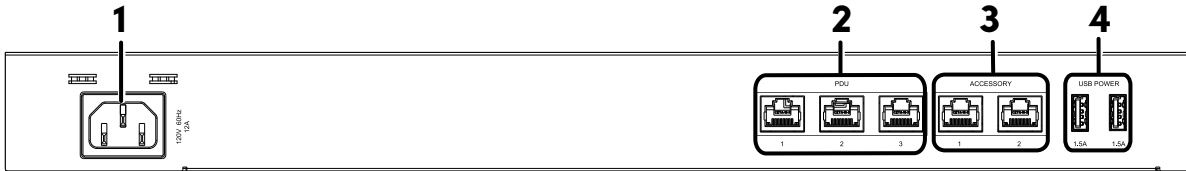
## Key Features

- Connect up to three WB-800 series Power Distribution Units (PDUs) and two accessories (for future use only).
- Two LED displays showing AC voltage and amperage of individual PDUs or the aggregate of all PDUs.
- Four USB ports that supply up to 1.5A each. Two on the front and two on the back.
- Three buttons for faceplate navigation and outlet control.
- Accessory outlet on the front panel (unprotected and non-controllable).

## Package Contents

- 1x WB-800-FP
- 2x Rack ears with included chassis screws (already installed)
- 1x 6ft power cord
- 1x Locking clip to secure IEC power cord
- 4x Rubber feet
- 1x Install Guide

# Rear Panel



1. **Power Input** – Input for 3-prong IEC power cord, with detachable locking clip.
2. **PDU Ports** – Three green, TIA-568B ports for connecting up to three 800 series PDUs to the 800 series faceplate.
3. **Accessory Ports** – Two gray, TIA-568B ports. 3W maximum per port. Reserved for future use.
4. **USB Ports** – For powering USB devices. 1.5A maximum per port.

## PDU Port Connections

This faceplate is OvrC enabled. To unlock the faceplate features in OvrC, you must connect it to a compatible 800 series WattBox PDU on firmware version 2.2.0.8 or newer.

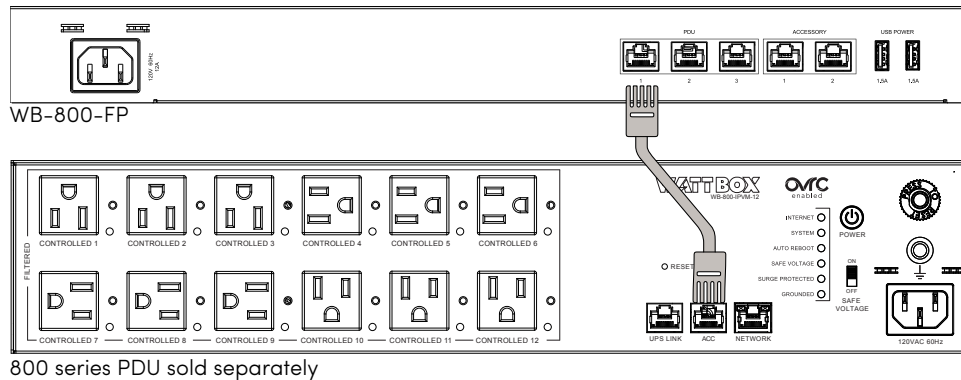
**Note:** The WB-800CH1U-IPVM-8 is not compatible.

You can connect up to three 800 series PDUs to the faceplate. We recommend using TIA-568B pinout cables no longer than 15’.



Connect one end of the cable to the gray **Accessory port** of the PDU, and the other end of the cable to the faceplate's green **PDU port**.

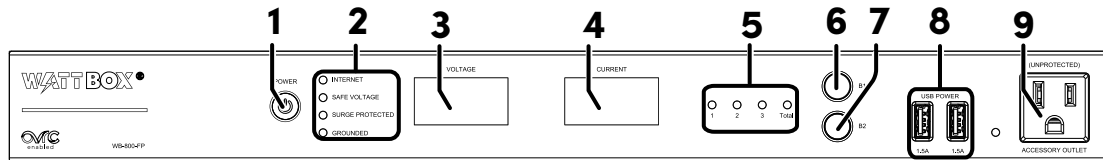
**Pro Tip:** Set the **Outlet Mode** to **Disabled** for the outlet the faceplate is connected to, in OvrC. This ensures the faceplate does not lose power when resetting all outlets of the connected 800 series WattBox. If you're connecting the faceplate to a WB-800-IPVM-12, use the dedicated **Accessory** outlet on the back of the PDU.



Once the faceplate and 800 series WattBox PDU are connected, firmware updates are automatically pushed from the WattBox connected to **PDU port 1**. During this update process the LEDs turn off and the faceplate is unresponsive. Allow five minutes for the update to complete.

**Warning:** You must connect a PDU to **PDU port 1** to keep the faceplate's firmware up-to-date.

# Front Panel



1. **AC Power Button** – Press and hold to manually toggle the outlets on or off on all connected PDUs. Outlets configured as **Disabled** or **Reset Only** are not affected on each connected PDU.
2. **LED Indicators** – See the status of the internet, safe voltage, surge protected, and whether the unit is properly Grounded. See “LED Operation” on page 8.
3. **Voltage Display** – Displays the voltage (V) being supplied from the outlet.
4. **Output Current Display** – Displays current draw in amps (A). This figure can be an aggregate of the combined PDUs or a single PDU.
5. **PDU Power Indicator** – Has two states:
  - a. **Blinks** – The Current display is showing the selected PDU’s current draw in amps (A).
  - b. **Solid** – The Current display shows the aggregate of all connected PDUs.
6. **Button 1** – Sequences through PDUs 1 through 3 and *Total* (left to right) displaying the Current for the specified PDU. Aggregate of all PDUs display when landing on *Total*. This button is also used to reset individual PDUs. See “How to Manually Reset Individual PDUs From the Faceplate” on page 7.
7. **Button 2** – Sequences through *Total* and PDUs 3 through 1 (right to left) displaying the Current for the

specified PDU. Aggregate of all PDUs display when landing on *Total*. This button is also used to reset individual PDUs. See “How to Manually Reset Individual PDUs From the Faceplate” on page 7.

8. **USB Ports** – For powering USB devices. 1.5A maximum per port.
9. **Accessory Outlet (Unprotected and Non-Controllable)** – Always-on, front-facing outlet for service use. A solid blue LED indicates the outlet has power and is working.

---

## How to Manually Sequence Through Individual PDUs

- Tap **B1** to sequence through PDUs 1-3 & *Total* (moving left to right).
- Tap **B2** to sequence through *Total* and PDUs 3-1 (moving right to left).

As you sequence through the PDUs, the corresponding PDU LED flashes to indicate which PDU number you are on. The displays show the corresponding Current for the PDU specified.

**Note:** The LED light flashes on the specified PDU for 5 minutes, during this time the display windows show the Current for the selected PDU. Once the 5 minutes has expired, the faceplate defaults back to displaying the aggregate *Total* of all the connected PDUs.

---

## How to Manually Reset Individual PDUs From the Faceplate

1. Tap **B1** or **B2** to sequence through the PDUs.
2. With the PDU number that needs to be reset flashing, press and hold **B1 OR B2** for 3 seconds. The **Current** display shows a rotating **0** as the outlet resets.

**Note:** Outlets configured as **Disabled** do not reset.

---

## How to Manually Reset All Outlets From the Faceplate

Press and hold **B1** and **B2** at the same time for 3 seconds to reset all PDU outlets plugged into the faceplate. The **Current** display shows a rotating **0** as the PDU outlets reset.

**Note:** Outlets configured as **Disabled** do not reset.

---

## LED Operation

<b>Internet</b>	Blue (Solid)	All host pings are successful across all connected PDUs.
	Blue (Slow Blink)	Host ping partial fail across at least one of the connected PDUs.
	Red (Solid)	All host pings are failing on at least one of the connected PDUs.
<b>Safe Voltage</b>	Blue (Solid)	Enabled and safe on all connected PDUs.
	Blue (Slow Blink)	Enabled on all connected PDUs, but incoming AC Voltage is not safe on at least one of the connected PDUs.
	Off	Safe Voltage is disabled on at least one of the connected PDUs.
<b>Surge Protected</b>	Blue (Solid)	All connected PDUs are protected.
	Blue (Slow Blink)	At least one of the connected PDUs is unprotected.
	Off	All connected PDUs are unprotected.
<b>Grounded</b>	Blue (Solid)	All connected PDUs are grounded.
	Blue (Slow Blink)	At least one of the connected PDUs is not grounded.
	Off	All connected PDUs are not grounded.



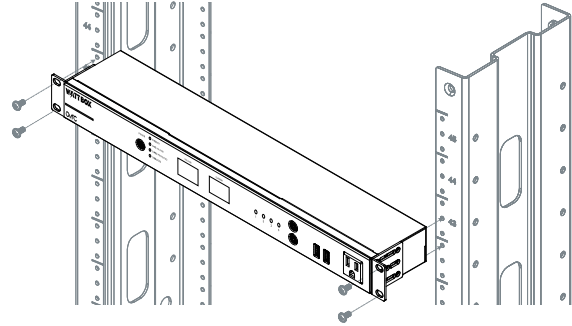
---

# Mounting Options

The WB-800-FP can be rack-mounted or placed in a cabinet.

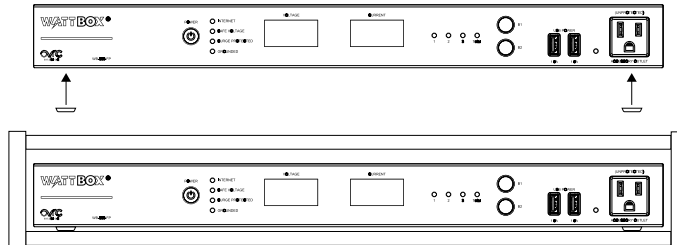
## Rack Mounting

Install the WattBox faceplate into the rack using the pre-installed rack ears and four 10-32 rack screws for AV racks, or 12-24 rack screws for IT racks (rack screws not included).



## Cabinet Placement

Remove the pre-installed rack ears, if desired, and attach the supplied feet to the bottom of the WattBox faceplate for cabinet placement.



## Technical Support

For chat and telephone, visit [tech.control4.com/s/contactsupport](https://tech.control4.com/s/contactsupport) • Email: [TechSupport@SnapOne.com](mailto:TechSupport@SnapOne.com). Visit [tech.control4.com](https://tech.control4.com) for discussions, instructional videos, news, and more.

## Warranty and Legal Notices

Find details of the product's Limited Warranty at [snapone.com/legal/](https://snapone.com/legal/) or request a paper copy from Customer Service at **866.424.4489**. Find other legal resources, such as regulatory notices and patent and safety information, at [snapone.com/legal/](https://snapone.com/legal/).

Copyright ©2022, Snap One, LLC. All rights reserved. Snap One its respective logos are registered trademarks or trademarks of Snap One, LLC (formerly known as Wirepath Home Systems, LLC), in the United States and/or other countries. 4Store, 4Sight, Control4, Control4 My Home, SnapAV, and WattBox are also registered trademarks or trademarks of Snap One, LLC. Other names and brands may be claimed as the property of their respective owners. Snap One makes no claim that the information contained herein covers all installation scenarios and contingencies, or product use risks. Information within this specification subject to change without notice. All specifications subject to change without notice.

220118

200-00731-A\_WB-800-FP