

HAMMER-ON J HOOK

3/4" OR 2"

ADI
PRO

ADI PRO's durable, galvanized steel J hooks are both UL and cUL certified. These J hooks are ideal for organizing or extending cable runs in either a wall mount or ceiling mount application. Thanks to the attached hammer-on flange, these J hooks can also be mounted directly to a beam, saving time and eliminating the need for beam clamps.



FEATURES

Supports Cat 5e/6/6A/7, fiber, coaxial cable and conduit

Easy hammer-on installation

Smooth, beveled edge provides proper cable bend radius

Complies with EIA/TIA requirements for structured cabling systems

Galvanized steel construction for strength and longevity

Safe to use in plenum spaces

UL and cUL listed

Limited Lifetime Warranty

Product Specifications

PART #	Size
0E-JHKHO3425	3/4"
0E-JHKHO225	2"

Flange: 1/8"-1/4"

Static Load Capacity: 60 lbs.

Material: Galvanized steel w/ zinc chromate coating

Package Quantity: 25



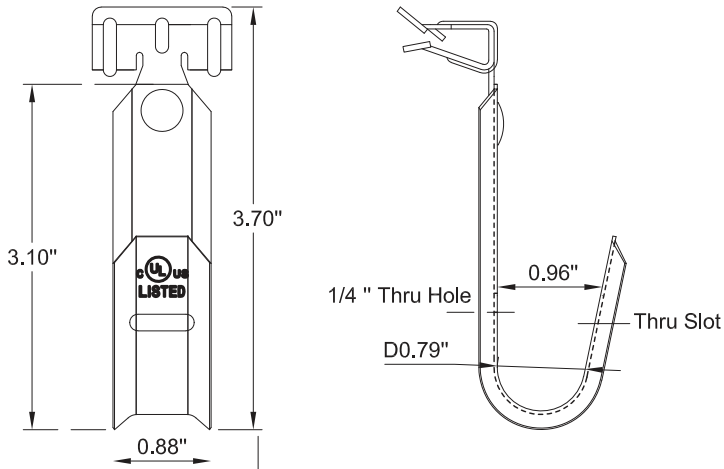
For more information contact your ADI Sales person or visit adiglobal.com/adiexclusivebrands

HAMMER-ON J HOOK

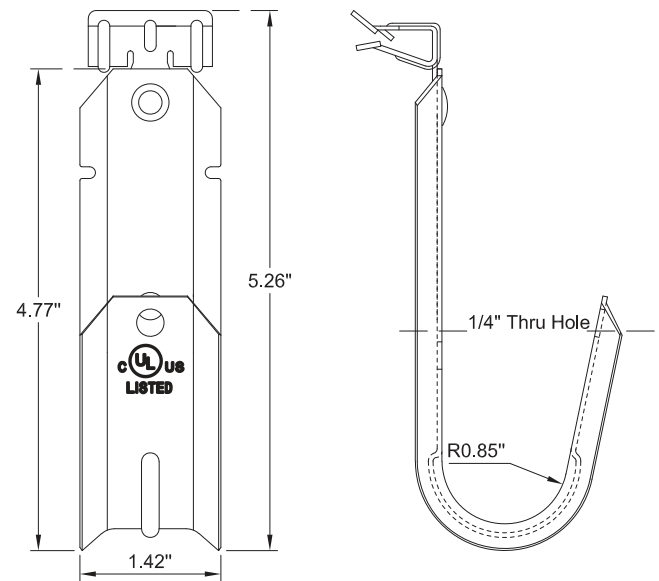
3/4" OR 2"

DIMENSIONAL DRAWINGS

0E-JHKHO3425



0E-JHKHO225



For more information contact
your ADI Sales person or visit
adiglobal.com/adiexclusivebrands

ADI
PRO