



# nexTouch™

ANSI/BHMA Grade 1 Certified  
Keypad Access Lock





---

## Contents

Introduction .....	3
One Lock, Three Technologies .....	4-5
Features & Benefits .....	6-7
How to Order.....	8
Dimensions.....	9
Lever Designs.....	9
Functions .....	10
Technology Options.....	10
Finishes .....	10
Cylinders .....	11-12
Latchbolts .....	13
Strikes .....	13
Options & Accessories .....	14
Technical Specifications and Listings.....	15



## Introduction

Yale® Commercial Solutions offers innovative and reliable products to solve the challenges of commercial, retail, hospitality, assisted living, mixed-use and multi-family properties. With over 150 years of door hardware experience, Yale's expertise extends beyond products to people - and provides the service and support you expect.

Featuring durable products to meet all your facilities' requirements, and the quality you expect from a leader in the door hardware industry, Yale Works for You<sup>SM</sup>.

### Cylindrical Locks



- ANSI/BHMA Certification provides strength and durability
- Suitable for a range of commercial applications
- Available in a wide variety of functions and finishes
- Ideal for offices, commercial buildings, and more

### Mortise Locks



- ANSI/BHMA Grade 1 Certification offers strength and reliability
- Heavy-duty trim resists damage and vandalism
- Well-suited to any industrial or commercial application
- Ideal for offices, shopping centers, commercial spaces and more

### Exit Devices



- Available in economy, commercial, architectural and traditional styles to suit any application
- Rim, SquareBolt®, concealed vertical rod, surface vertical rod configurations and electrified options offered
- ANSI/BHMA certifications for durability

### Door Closers



- Range of installation and arm options available
- Wide variety of functions available including backcheck, closing speed, latching speed and delayed action

# One Lock, Three Technologies

The fully modular design of nexTouch allows users to easily upgrade to more advanced security technologies as their requirements grow and change. With solutions for stand-alone, multi-family and small business applications, Yale Works for You<sup>SM</sup>.

Wireless



Keypad



Data-on-Card





## Keypad

The stand-alone nexTouch boasts a wide range of robust features to make setup and daily access easy and convenient.

- ▶ **Voice guided programming:** Advanced voice-guided programming makes setting up your nexTouch straightforward and effortless.
- ▶ **Up to 500 users:** Without any additional modules, the stand-alone nexTouch has the capacity to store up to 500 users plus a master code.

**Ideal for:**

Management offices | Restrooms | Staff lounges | Access to airport apron | Storage closets

---

## Data-on-Card

The Data-on-Card capabilities of nexTouch coupled with user-friendly Yale Accentra™ software easy, affordable lock management for multi-family properties.

- ▶ **Embrace the social network of your facility:** Residents and staff become the network that manages your security system simply by going about their daily routine.
- ▶ **Yale Accentra™ Multi-Family Software:** This user-friendly and intuitive software is cloud-based to minimize investment costs and enables easy management of access rights from any Internet-enabled device.
- ▶ **Unlimited event audit trail:** Know who was where and when with an unlimited audit trail for reliable monitoring of access history.



**Ideal for:**

New construction or renovation projects of multi-family facilities with individual units and common areas

---

## Wireless

The nexTouch is a perfect small business solution that allows you to implement simple access control by wirelessly integrating your nexTouch into new or existing commercial automation systems.

- ▶ **Flexible technology solution:** Compatible with both ZigBee and Z-Wave technologies based on your system requirements thanks to modular radio design.
- ▶ **Easy to manage:** Credentials and access rights can be managed remotely and in real time, using any partner automation system.
- ▶ **Upgrade at your own pace:** Bring offline devices online with the simple installation of a plug and play network module, allowing your system to grow as your needs change.

**Ideal for:**

Small to medium-sized businesses with new or existing automation systems





# Features



*Touchscreen as shown when not activated*

Capacitive Touchscreen

Weather Resistant Seal



Lockout Mode



Low Battery Indication

9V Battery Power Backup

Optional Cylinder/Key Override

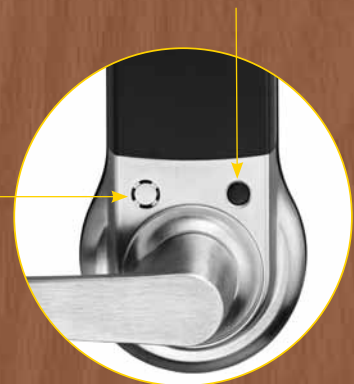
Privacy Button  
*DPS required*



Pushbutton keypad option available

*Touchscreen as shown when activated*

Voice-Guided Programming





## Features & Benefits

Feature	Benefit	Stand-alone	Data-on-Card	ZigBee/Z-Wave
ANSI/BHMA Grade 1 certified	Assurance that locks provide the strength and durability to withstand everyday use.	✓	✓	✓
Choice of capacitive touchscreen or tactile pushbutton keypad	Touchscreen responds to human touch, enabling convenient entrance or access to programming menu. Pushbutton keypad option also available for more tactile requirements, such as ADA compliance.	✓	✓	✓
Ergonomic, easy-to-use design	Slanted screen or keypad optimizes line of sight and is backlit for illuminated access in low light conditions.	✓	✓	✓
Keyless entry and management	Reduces complexity of key system management	✓	✓	✓
PIN code access	Installations are able to be programmed with up to 500 unique PIN codes and a master codes for access to programming.	✓		✓
Modular technology	Allows for upgrade to more advanced security technologies with Data-on-Card and ZigBee/Z-Wave capabilities as requirements change and grow.	✓	✓	✓
Works with cloud-based management software	Single system enables use from anywhere with Internet access from a range of devices, including your computer, smartphone or tablet.		✓	✓
Continuously updated audit trail	Lifetime audit trail stored within the software to know exactly who has accessed the lock when.		✓	✓
Solid metal escutcheon	All metal escutcheon provides quality and durability.	✓	✓	✓
Voice-guided programming in 3 languages	Voice-guided prompts make updates straightforward and effortless in English, Spanish or French.	✓	✓	✓
Three (3) volume modes	Playback can be set for normal, low or silent.	✓	✓	✓
Privacy feature with Door Position Switch	By holding the interior lock button down for 3 seconds, the exterior keypad is temporarily disabled ensuring complete privacy and no additional entry.	✓	✓	✓
Weather resistant gasket seal	Lock is operational even in outdoor settings, in temperatures ranging from -40°F to 140°F (-40°C to 60°C) at 95% relative humidity.	✓	✓	✓
Low battery indicator	Blinking designation signals internal 4 AA alkaline batteries are low.	✓	✓	✓
9V battery power backup feature	With the touch of a 9V battery to the designated area on the front of the lock, your nexTouch can be powered up for one-time entry after entering a correct PIN code.	✓	✓	✓
Optional passage mode	PIN codes can be used to enable passage mode, allowing for continuous entry for non-restricted traffic.	✓		
Hardwire power capable	Can be powered externally using remote 9VDC power supply and plug-in wall transformer.	✓	✓	✓
Keypad lockout feature	Deters tampering by disabling the keypad for a default of 180 seconds after five (5) successive failed attempts.	✓	✓	✓

**Data-on-Card technology module available only through Authorized Channel Partners. Please contact your ASSA ABLOY Door Security Solutions sales consultant for more information.**



## How To Order

From this outline select the elements for the Yale® nexTouch™ you require.

Quantity	Lever Design	Series	Function	Technology	Finish	Door Thickness	Cylinder	Latch	Strike
#	AU - Augusta MO - Monroe PB - Pacific Beach	NTB - nexTouch	610 - Key override, pushbutton keypad 620 - Key override, capacitive touchscreen 630 - No key override, pushbutton keypad 640 - No key override, capacitive touchscreen	NR - Keypad only, no radio HA2 - ZigBee wireless communication ZW2 - Z-Wave wireless communication	605 - Bright brass, clear coated 613E - Dark oxidized bronze - equivalent 626 - Satin chrome plated 676 - Flat black powder coat	1-3/4" 1-3/8"	1803-53L - 6-pin cylinder standard, see pages 11-12 for additional options <sup>1</sup>	694 latchbolt with 2-1/4" x 1-1/8" front, 2-3/4" backset and 1/2" bolt throw standard, see page 13 for additional options	497 ANSI strike standard, see page 13 for additional options

Data-on-Card version available only through Authorized Channel Partners. Contact your Door Security Solutions sales consultant for more information.

1. When ordering SFIC and LFIC cylinders, please use appropriate prefix before lever selection. See page 11 for more information.

## BUILD YOUR ORDER STRING

Quantity	Lever Design	Series	Function	Technology	Finish	Door Thickness	Cylinder	Latch	Strike
<i>Example:</i>	AU	NTB	610	NR	626	1-3/4"	1803-53L	694	497

## PACKING

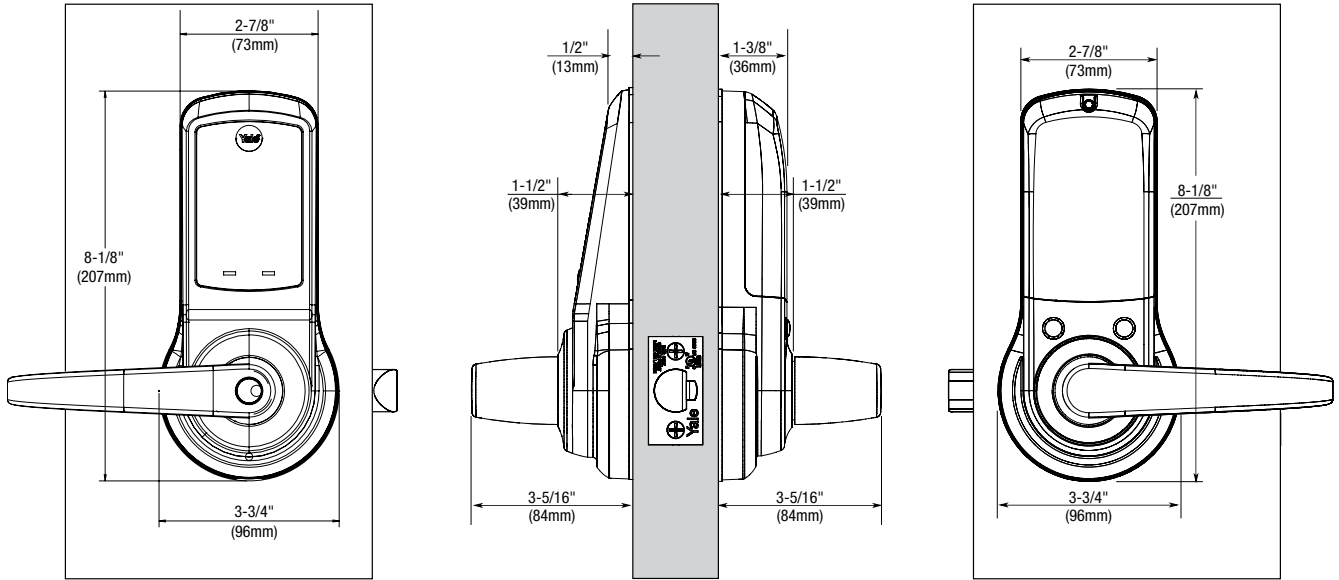
Each box has a paper door marker, combination wood and machine screws, Door Position Switch (DPS), 4 AA alkaline batteries, Allen wrench, lever removal tool and easy-to-follow installation and programming instructions. Cylinder functions supplied with two keys.





# Dimensions and Lever Designs

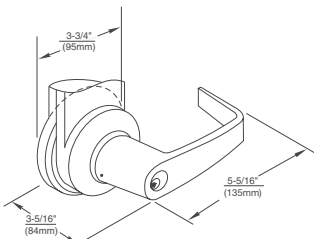
## DIMENSIONS



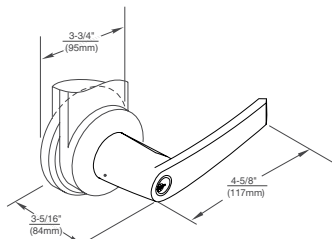
Dimensions given in inches (mm).

## LEVER DESIGNS

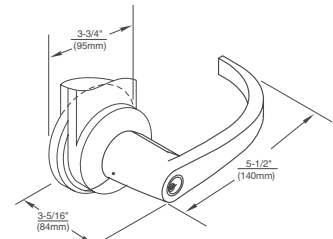
**AUGUSTA AU**  
Lever: Cast Zinc



**MONROE MO**  
Lever: Cast Zinc



**PACIFIC BEACH PB**  
Lever: Cast Zinc



All levers available with small and large format interchangeable core. See page 11 for details.



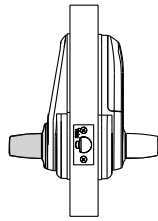
# Functions, Technology Options and Finishes

## FUNCTIONS

### NTB630 Pushbutton NTB640 Touchscreen

#### Without Cylinder Override

- For doors that do not require mechanical key override.
- Latchbolt retracted by lever outside with valid PIN code, or by operating lever inside.
- Inside lever always active.
- Deadlocking latchbolt.



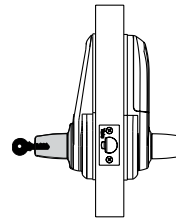
Outside

Inside

### NTB610 Pushbutton NTB620 Touchscreen

#### With Cylinder Override

- For doors that require mechanical key override.
- Latchbolt retracted by lever outside with valid PIN code; by use of mechanical key, or by operating lever inside.
- Inside lever always active.
- Deadlocking latchbolt.



Outside

Inside

Lever handles are Free Wheeling in locked position. Shaded area denotes Free Wheeling lever.

## TECHNOLOGY OPTIONS

NR	Keypad only, no radio
HA2	ZigBee wireless communication
ZW2	Z-Wave wireless communication

Data-on-Card Yale Accentra™ module available only through Authorized Channel Partners. Please contact your Door Security Solutions sales consultant for more information.



ZigBee Module



Z-Wave Module

## FINISHES

### ANSI/BHMA Code Finish Description

605  
Bright Brass, Clear Coated



613E  
Dark Oxidized Satin Bronze -  
equivalent



626  
Satin Chrome Plated



676  
Flat Black Powder Coat





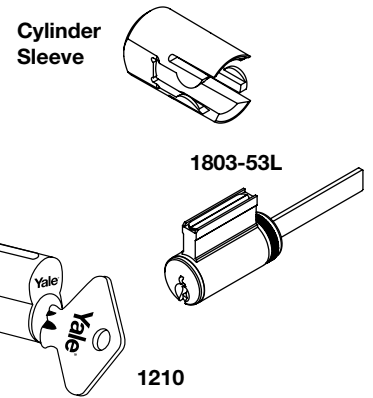
# Cylinders

## CYLINDER OPTIONS

The following selection guide indicates the correct cylinder for each locking segment.

Lockset Series nexTouch™	Types of Cylinder Mechanisms						
		Conventional		Protected Keyway		Security	
Cylinder Types	Fixed Core	6-pin	7-pin	6-pin	7-pin	6-pin	7-pin
Key-In-Lever	1803-53L	N/A	K403-53L	N/A	5803-53L	N/A	
	Interchangeable Core						
LFIC	1210	N/A	K800	N/A	5210	N/A	
SFIC	A600	A600	K600	K600	N/A	N/A	

Note: The 1803-53L Cylinder requires an adapter sleeve to fit in the nexTouch lockset. (P/N 14-YM00-9078-999)



Refer to Yale® KeyMark® and/or Cylinders and Keys Catalog sections for all details and how-to-order examples.

## OTHER MANUFACTURER KEYWAY CYLINDERS


Illustration	Description	Model Number	Number of Pins
	Best® Keyway Cylinder. Available keyed random, master keyed or uncombined. Specify keyway A, B, C, D, E, F, G, H, J, K, L or M.	A600	6 or 7
	Schlage® "C" Keyway. Available 0-bitted or keyed random.	2803-53L*	6
	Corbin Russwin "L4", Corbin "60", Russwin "D1", Sargent® "LA" or Schlage® "E" Keyway. Specify keyway. Available keyed random.	3803-53L*	6
	Arrow "AR" Keyway. Specify keyway. Available keyed random.	100CV1	6

\*The 2803-53L and 3803-53L cylinders require a cylinder sleeve (P/N 14-YM00-9078-999) to fit the nexTouch™ lockset.



# Cylinders

## LEVERS ACCEPTING SFIC AND OTHER MANUFACTURERS' LARGE FORMAT INTERCHANGEABLE CORES

	Description	Lever Prefix	Number of Pins
	SFIC (Accepts all Small Format Interchangeable Cores)	B (i.e. B-AU, B-MO, B-PB)	6 or 7
	Corbin Russwin (LFIC)	R (i.e. R-AU)	6
	Medeco®, ASSA® (LFIC)**	M (i.e. M-AU)**	6
	Sargent (LFIC)	SG (i.e. SG-AU, SG-PB)	6
	Schlage® (LFIC)	SI (i.e. SI-AU, SI-PB)	6

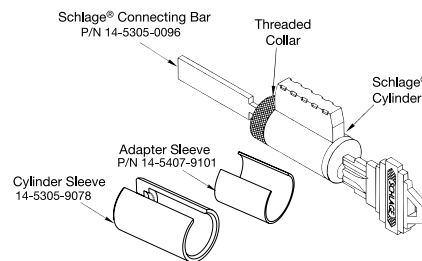
**\*\*Medeco®, ASSA® option available only with AU lever. (Note: For Medeco 32 series cores.)**  
**LFIC = Large Format Interchangeable Core**  
**SFIC = Small Format Interchangeable Core**

## 108 SCHLAGE® CYLINDER ADAPTER KIT

Kit used to modify Schlage® cylinder to fit nexTouch™.

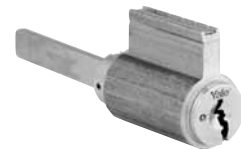
P/N 14-5407-9101-999 - 108S

Kit includes tailpiece and sleeve. To order the 108S adapter kit, use an "S" prefix (i.e., S-AU x NTB610).



## YALE® KEYMARK®

For those applications requiring protected key control, Yale® KeyMark® cylinders guard against unauthorized key duplication. The Yale KeyMark Security Leg® keyway feature increases resistance against picking and impressioning and can easily retrofit into existing systems. For further details and availability, refer to the separate Yale KeyMark catalog.

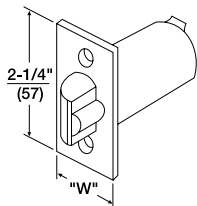




# Latchbolts and Strikes

## DEADLOCKING LATCHBOLTS

**Model No. 694** supplied standard with all nexTouch™ locksets. Model No. 694 latchbolt has a 2-1/4" x 1-1/8" front with a 2-3/4" backset and a 1/2" bolt throw. Optional latchbolts to special order.

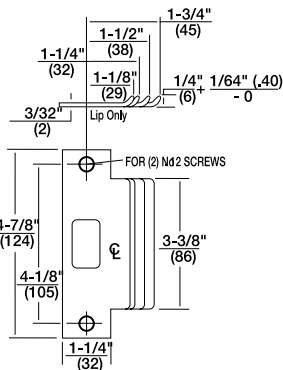


Model No.	Front	Backset	"W" Front Width	Throw	Latch Diameter
694 (standard)	Beveled	2-3/4" (70mm)	1-1/8" (29mm)	1/2" (13mm)	1" (25mm)
F694	Flat	2-3/4" (70mm)	1-1/8" (29mm)	1/2" (13mm)	1" (25mm)
480B	Beveled	2-3/4" (70mm)	1-1/8" (29mm)	3/4" (19mm)	1" (25mm)
F480B	Flat	2-3/4" (70mm)	1-1/8" (29mm)	3/4" (19mm)	1" (25mm)
380N*	Flat	2-3/8" (60mm)	1" (25mm)	1/2" (13mm)	3/4" (19mm)

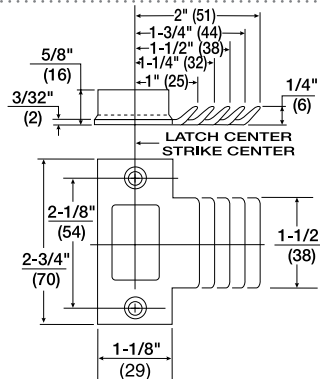
**When ordering latchbolts separately, specify Model No. x Finish (e.g., 694 x 626).**  
**\*Using 380N latch results in Grade 2 ANSI/BHMA performance of the lock.**

## STRIKES

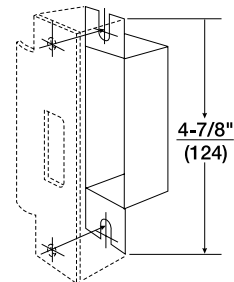
Yale® nexTouch™ locksets are available with a variety of strike options. All strikes are located on the same vertical and horizontal center lines as the latchbolt. Some strikes are available in a variety of lip lengths to accommodate varying thickness of doors and frames. To determine the proper length of the lip, measure from the center line of the strike to the edge of the jamb and add 1/4" (6mm). All strikes are reversible.



**Model No. 497 ANSI Strike (Standard)**  
 For door and frames with ANSI/BHMA A156.115 preparations. 1-1/4" supplied standard. 1-1/8", 1-1/2", and 1-3/4" lip lengths available by special order.



**Model No. 371 T-Strike (Optional)**  
 1-1/4" curved lip supplied standard. 1", 1-1/2", 1-3/4", and 2" curved lip lengths available by special order. Wrought strike box supplied.



**Model No. 202 Strike Box for ANSI Strike (Optional)**  
 Specify 497 x 202

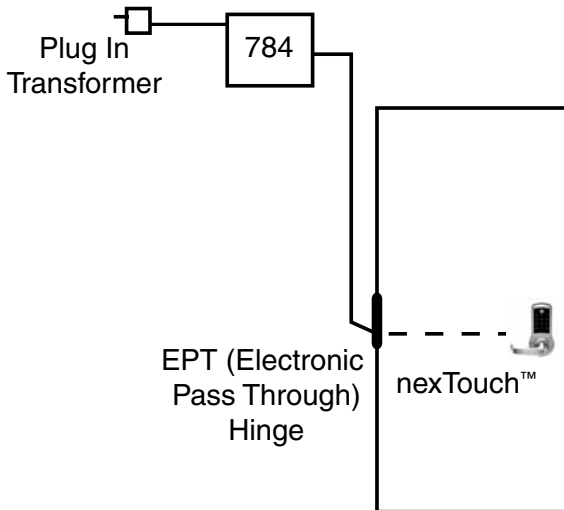




## Options and Accessories

Model/Part Number	Description
784	Optional remote 9VDC power supply with plug-in wall transformer (used for hardwiring up to two nexTouch locks).
WH-28	Remote unlock and power wire harness (used for hardwiring).
00-0000-3425	Replacement plug-in wall transformer with 12' cable assembly for 784 power supply.
00-0000-3426	Gel cell battery - optional for use with 784 power supply.
14-4761-0106	1-3/8" thin door kit. Includes inside and outside escutcheon spacers as well as a 2-3/8" latchbolt.

### HARDWIRE OPTION DIAGRAM



Hardwiring Made Easy®



ElectroLynx®

As part of our promise to provide innovative, fast and effective, and higher security solutions to our customers, Yale offers ElectroLynx, a universal quick-connect system that simplifies the electrification of the door opening. ElectroLynx® is a registered trademark of ASSA ABLOY, Inc.



## Technical Specifications and Listings

---

### ADA

The nexTouch Series lever design meets accessibility guidelines of the Americans with Disabilities Act and the requirements of the Uniform Federal Accessibility Standards and ICC/ANSI A117.1 Accessible and Usable Buildings and Facilities, all requiring ease of accessibility.

---

### ANSI/BHMA

Certified ANSI/BHMA A156.2, Series 4000 Grade 1.



---

### BACKSET

2-3/4" (70mm) standard backset, 2-3/8" backset optional.

---

### DOOR PREPARATIONS

nexTouch™ uses a cylindrical lock with lever door preparation with the addition of one 3/4" hole. This product conforms to modified ANSI/BHMA Specifications A156.115 and A156.115-W. Respectively, these specifications involve hardware preparations for steel doors/frames and hardware preparations for wood doors with wood or steel frames.

---

### DOOR THICKNESS

Standard door thickness is 1-3/4" (44mm). For use on 1-3/8" thick doors, a special thin door kit must be used. To order 1-3/8" thin door kit, specify part number 14-4761-0106. This kit includes inside and outside escutcheon spacers as well as a 2-3/8" latchbolt.

*Note: Using a 2-3/8" latchbolt results in Grade 2 performance of the lock.*

---

### FIRE LISTINGS

Functions are UL/cJUL Fire Listed for use on fire doors having a rating up to and including 3 hours.

*Note: Any retrofit or other field modification to a fire rated opening can potentially impact the fire rating of the opening, and Yale Locks & Hardware makes no representations or warranties concerning what such impact may be in any specific situation. When retrofitting any portion of an existing fire rated opening, or specifying and installing a new fire-rated opening, please consult with a code specialist or local code official (Authority Having Jurisdiction) to ensure compliance with all applicable codes and ratings.*

---

### FREE WHEELING LEVER TRIM

The nexTouch features Yale's Free Wheeling lever mechanism. When the outside lever is locked, it will rotate freely up and down while remaining securely locked.

---

### HANDING

Locksets are non-handed.

---

### LATCHBOLT

1/2" (13mm) throw deadlocking latchbolt supplied standard. See page 13 for latchbolts.

---

### POWER SOURCE

Powered by 4 AA alkaline batteries with optional hardwire input for 9VDC external power.

---

### STRIKES

ANSI strike 4-7/8" x 1-1/4" x 1-1/4" (124mm x 32mm x 32mm) lip to center supplied standard. See page 13 for optional strikes.


---

### WARRANTY

nexTouch has a three year limited warranty.

---

### WINDSTORM

Certified (refer to local codes).  Hurricane

---

## Contact Us

The world's favorite lock



### **U.S.A.**

#### **Yale Locks & Hardware**

Address: 225 Episcopal Road  
Berlin, CT 06037-4004  
Tel: 1-800-438-1951  
Fax: 1-800-338-0965  
yalelocks.com

### **Canada:**

#### **ASSA ABLOY Door Security Solutions Canada**

Address: 160 Four Valley Drive  
Vaughan, Ontario L4K 4T9  
Tel: 1-800-461-3007  
Fax: 1-800-461-8989  
assaabloy.ca

### **International:**

#### **ASSA ABLOY Americas International**

Tel: 1-905-821-7775  
Fax: 1-905-821-1429  
assaabloyai.com

Yale Locks & Hardware is a division of Yale Security Inc., an ASSA ABLOY Group company.

Yale® are registered trademarks of Yale Security Inc., an ASSA ABLOY Group company. nexTouch™ is a trademark of Yale Security Inc., an ASSA ABLOY Group company. KeyMark® and Security Leg® are registered trademarks of Medeco Security Locks, Inc., an ASSA ABLOY Group company. Other products' brand names may be trademarks or registered trademarks of their respective owners and are mentioned for reference purposes only. These materials are protected under U.S. copyright laws. All contents current at time of publication. Yale Security Inc. reserves the right to change availability of any item in this catalog, its design, construction, and/or its materials. Copyright © 2016 Yale Security Inc., an ASSA ABLOY Group company. All rights reserved. Reproduction in whole or in part without the express written permission of Yale Security Inc., an ASSA ABLOY Group company is prohibited.

**YALE**, with its unique global reach and range of products, is the world's favorite lock.

**ASSA ABLOY** is the global leader in door opening solutions, dedicated to satisfying end-user needs for security, safety and convenience.

42915-10/16N