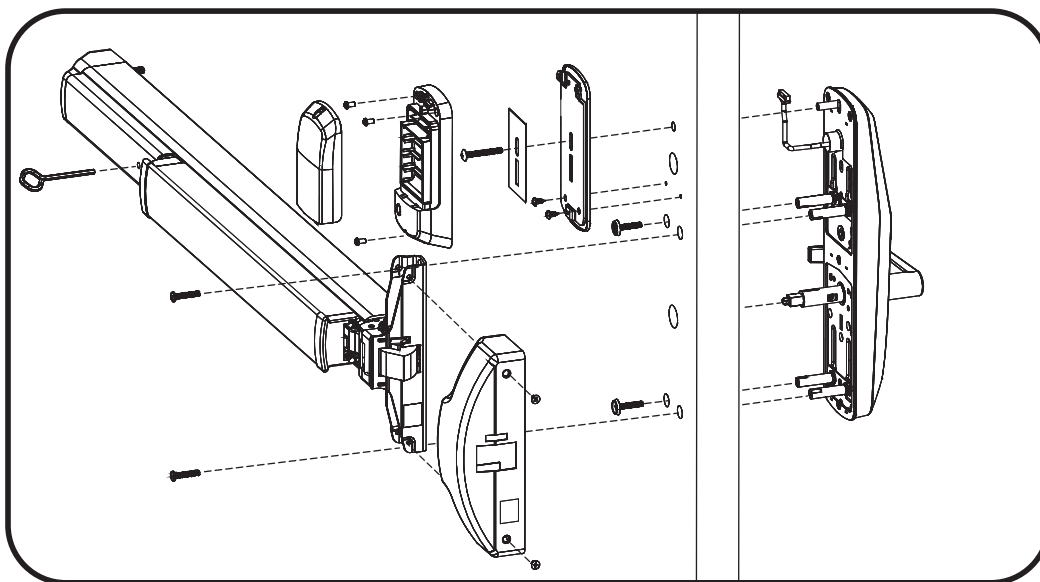
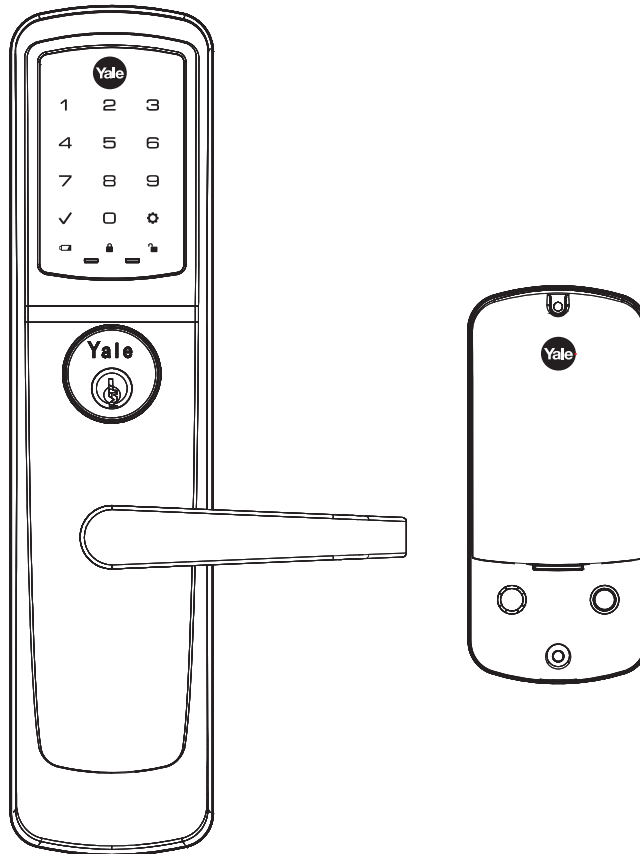




nexTouch[®]
Touchscreen and Push Button Exit Device Trim
Installation and Programming Instructions



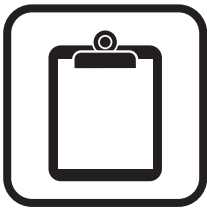
**TRADEMARK
HARDWARE**
WORLD OF QUALITY HARDWARE
WWW.TMHARDWARE.COM



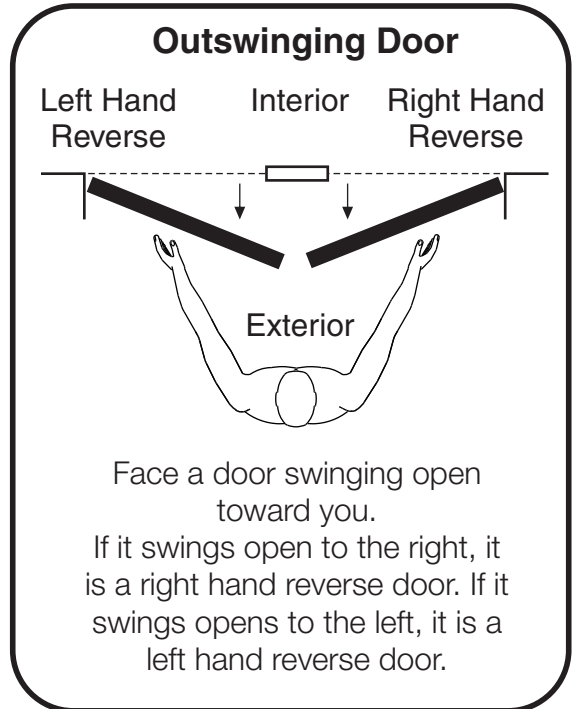
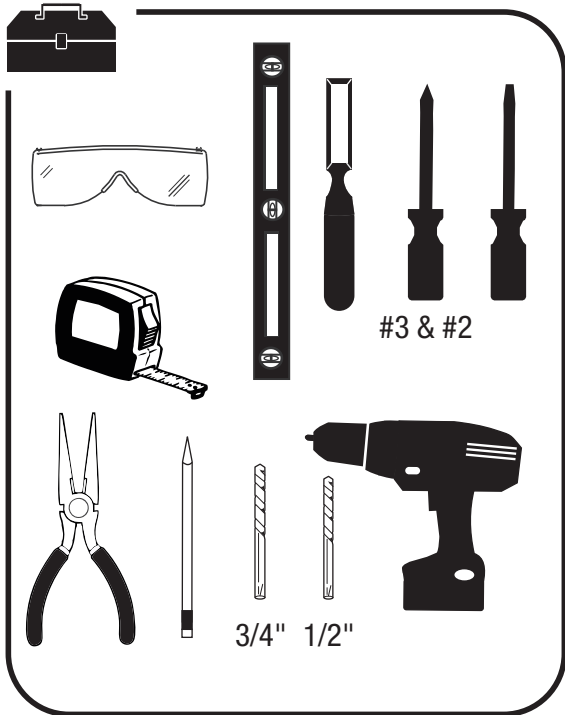
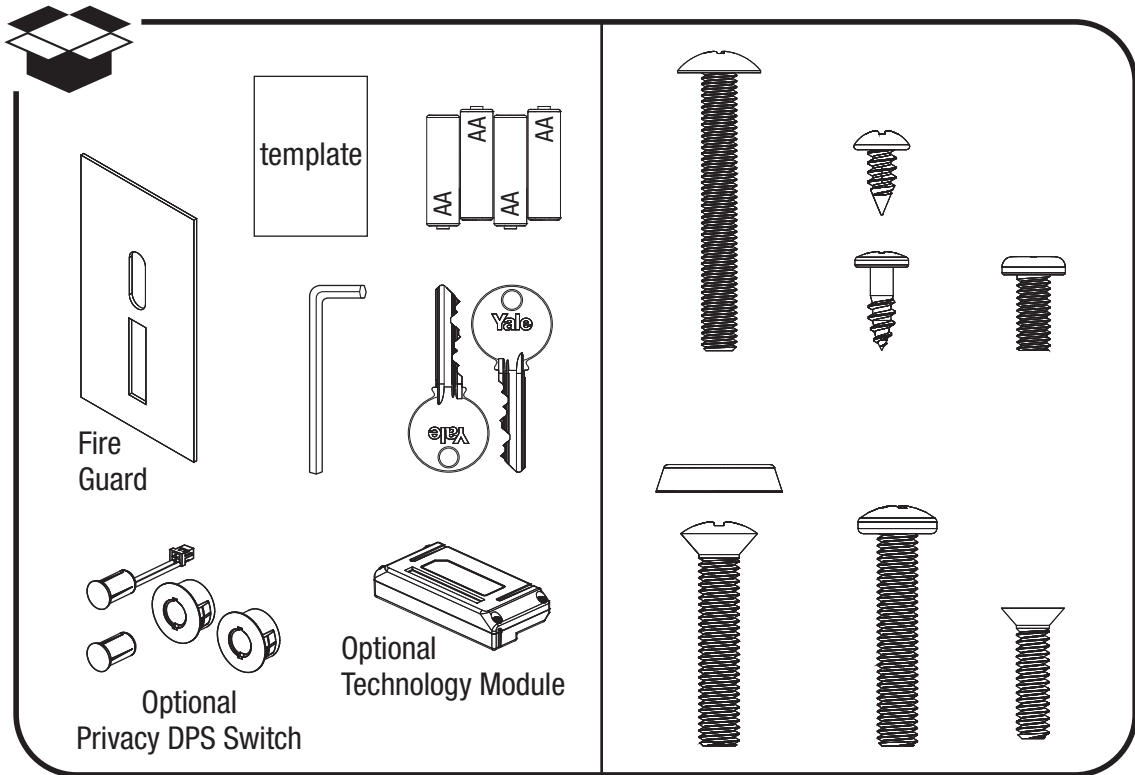
WARNING

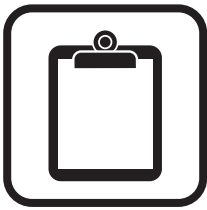
This product can expose you to lead which is known to the state of California to cause cancer and birth defects or other reproductive harm. For more information go to www.P65warnings.ca.gov.

Retrofitting or modifying this product may impact fire rating, safety features and warranty.
Consult with code specifications to ensure compliance with all codes and ratings.



Before You Begin

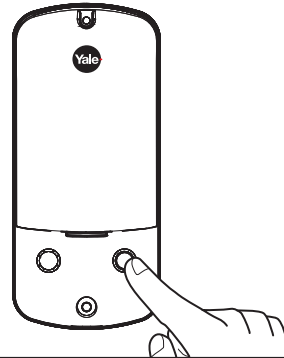
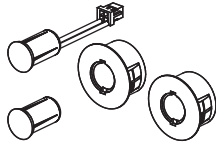




Door Position Switch Option

Privacy DPS Switch

With Door Position Switch installed and door closed, all keypad functions can be disabled by Privacy Button.



1 Prepare Door

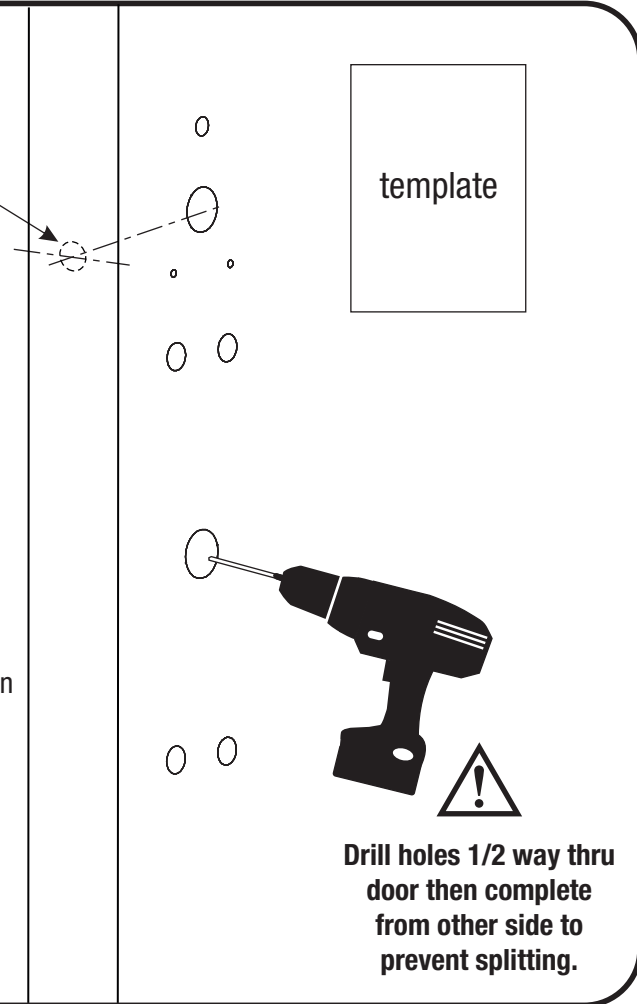
DPS Option for Privacy Function

Wood Door:
3/8" Dia. Thru to Hole in Door Face

***Metal Door:**
3/4" Dia. Thru to Hole in Door Face



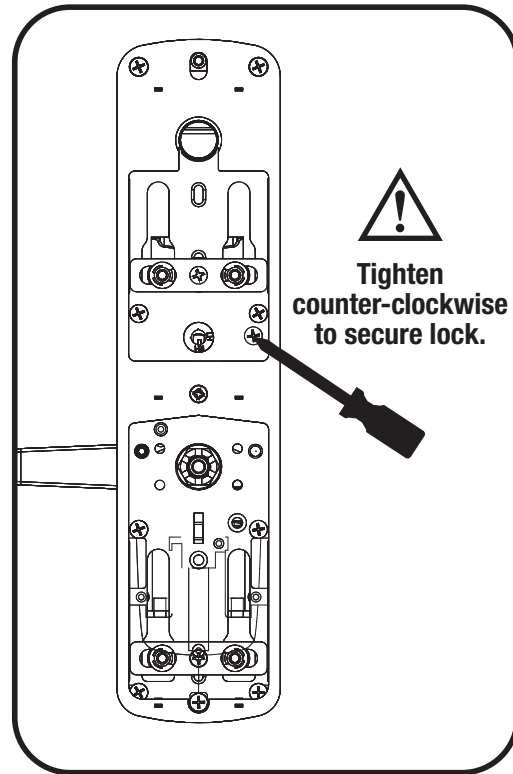
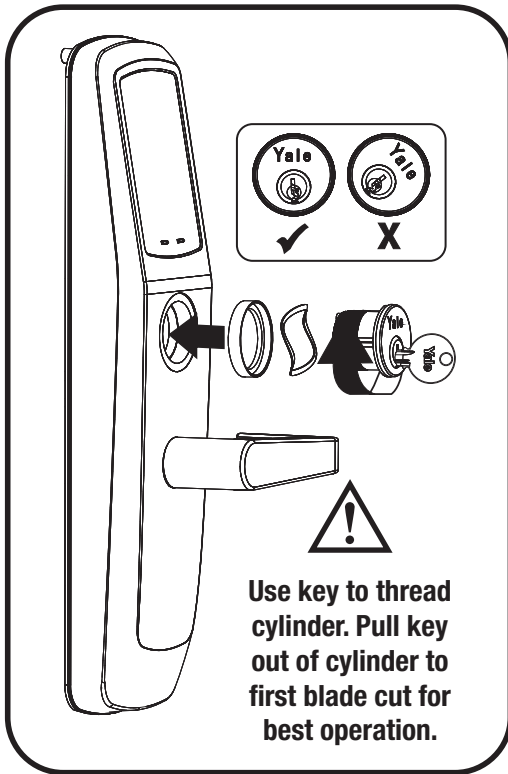
***Metal Door Installations**
Supplied plastic collar **MUST** be installed for DPS to function properly.



Drill holes 1/2 way thru door then complete from other side to prevent splitting.

2

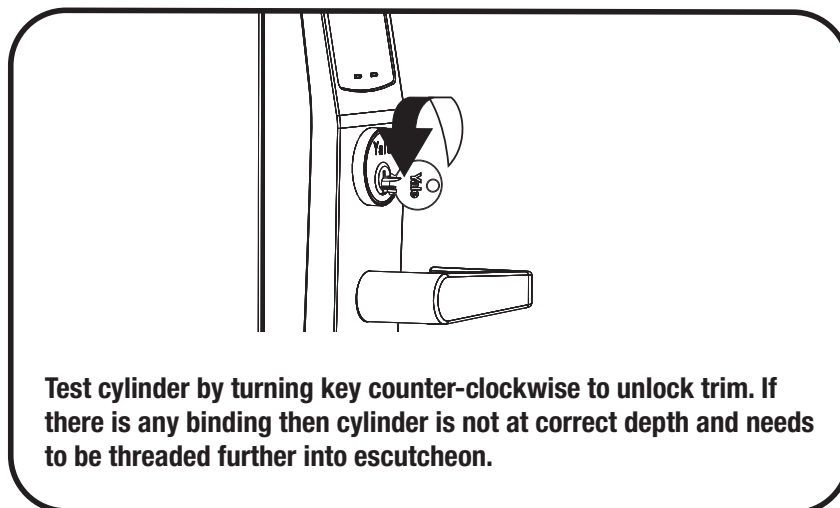
Install Cylinder



i If using cylinder other than 1-1/8", a new collar must be used that is sized appropriately for cylinder length.

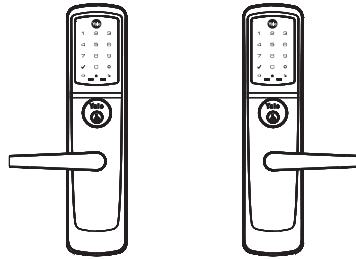


Test Cylinder

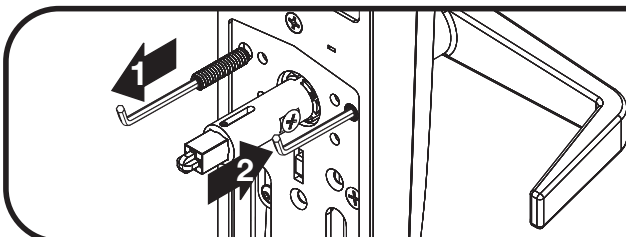
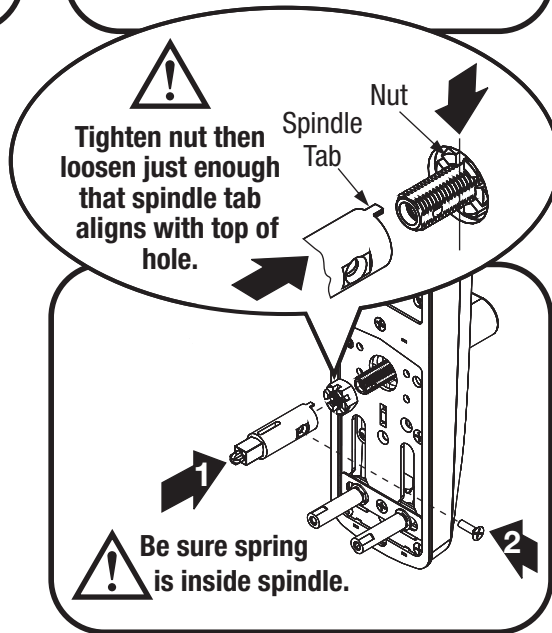
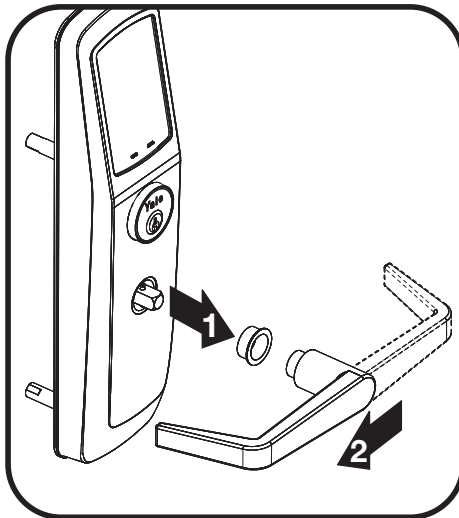
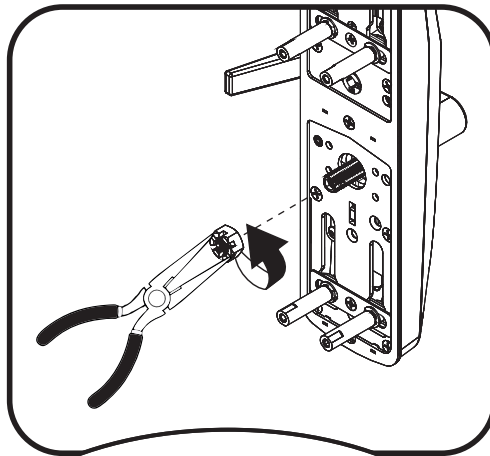
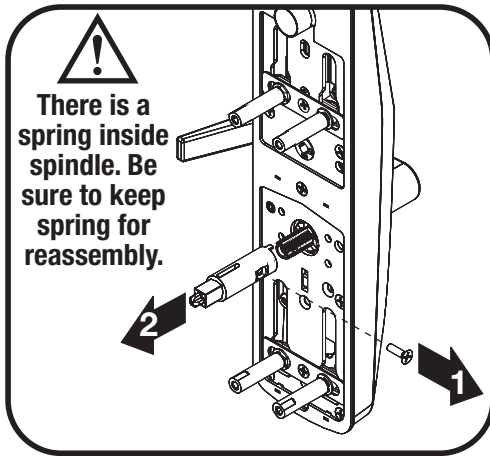


3

Change Hand of Trim (if necessary)



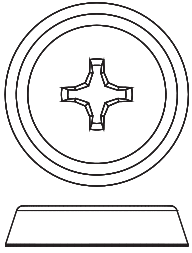
Left Hand Reverse Right Hand Reverse



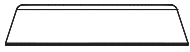
i Set screw should be located on same side as lever arm.

4

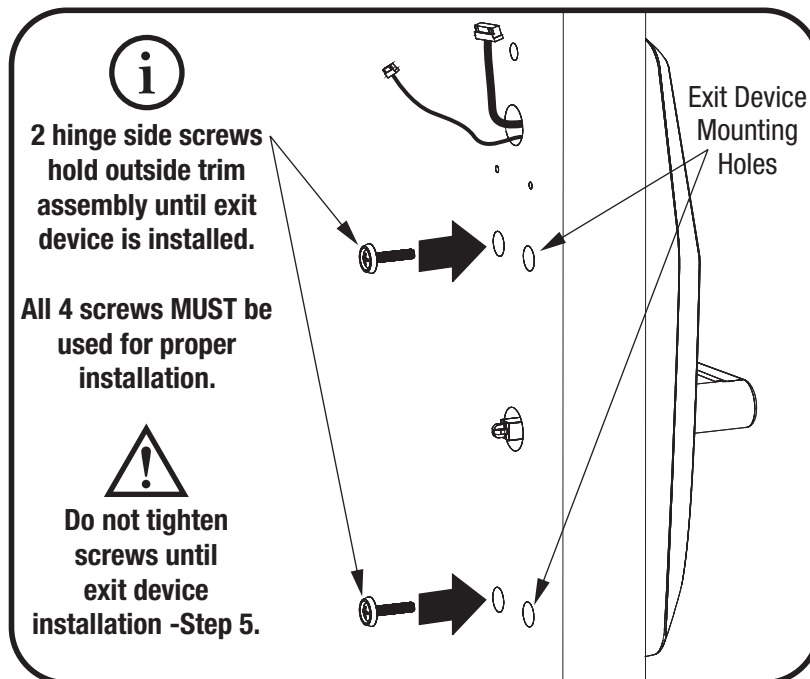
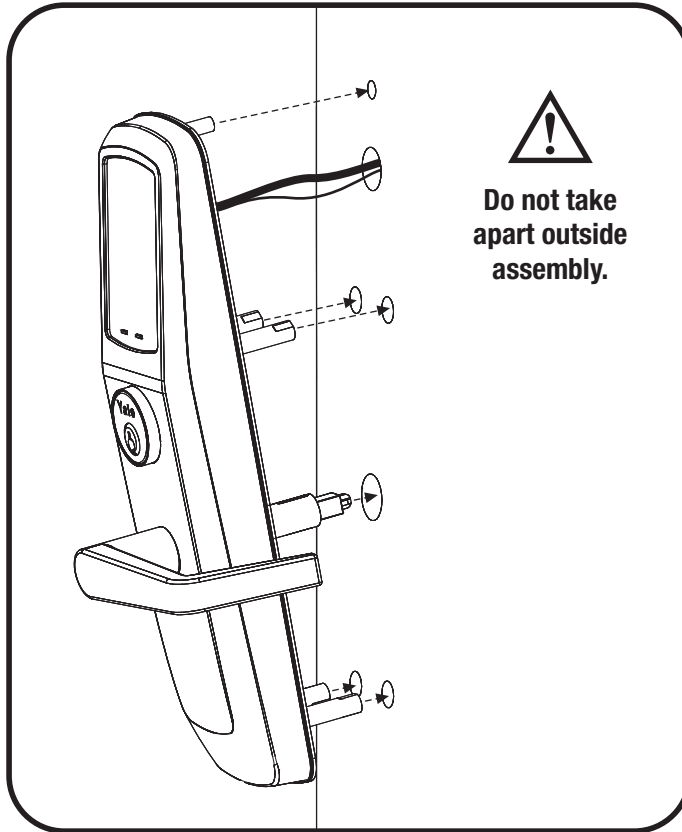
Install Outside Trim Assembly



#10-32 x 1" OHPMS



x2



5

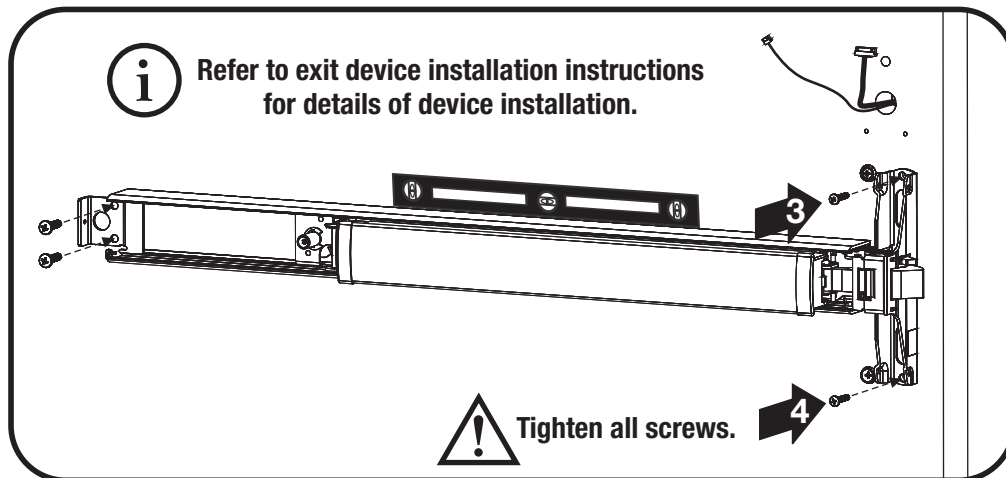
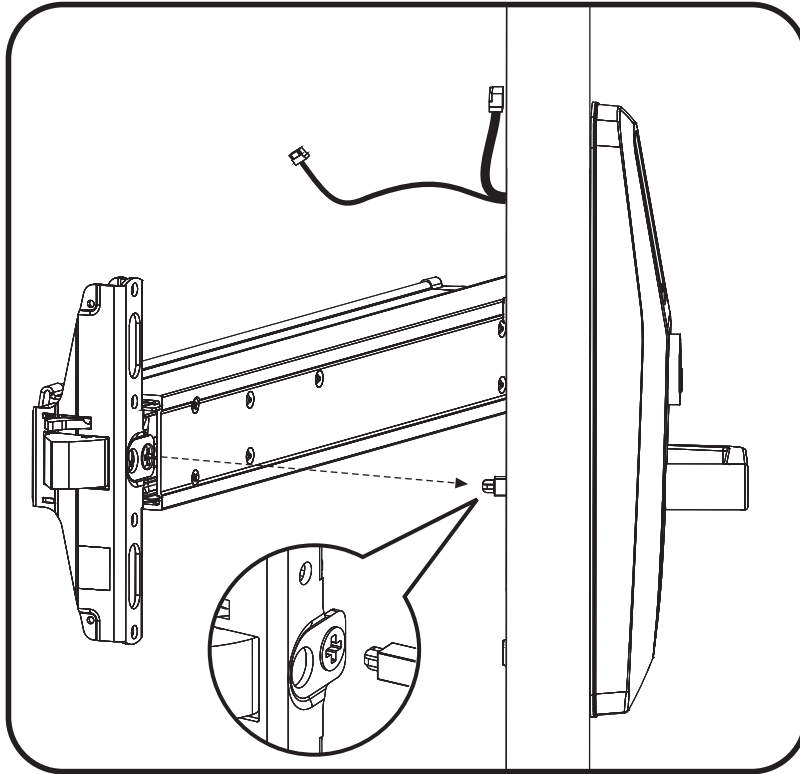
Install Exit Device



#10-32 x 1" PHMS



x2



Test Mechanical Lock Function by Key, Lever and Touchpad

6

Install Strike and Optional DPS



#10-24 PFHMS



x3

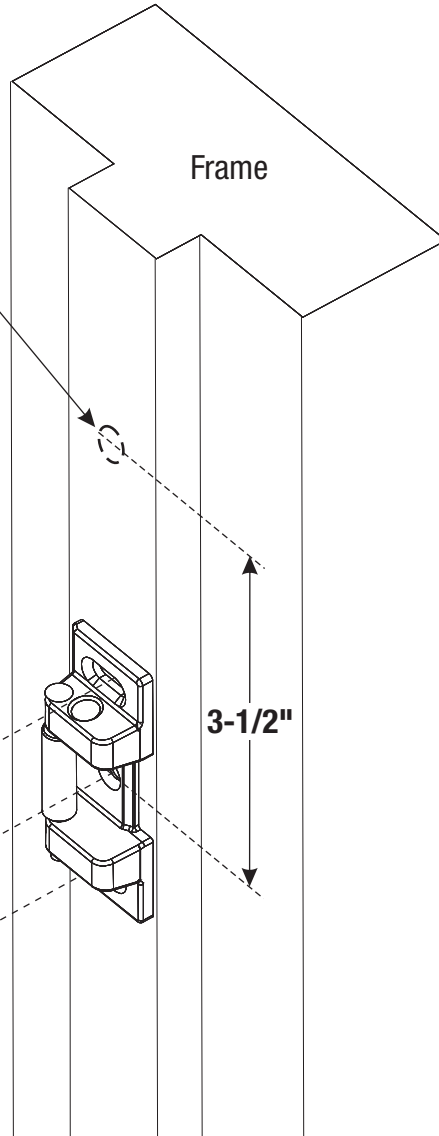
DPS Option for Privacy Function

*Metal Frame:
3/4" Dia. x 1"

See Instructions with DPS Kit



* Supplied plastic collar **MUST**
be installed for DPS to function
properly.



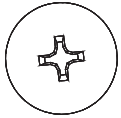
Strike must be centered with exit device bolt. For proper engagement, door should remain latched and not rattle when pushed, pulled or shaken in/out.



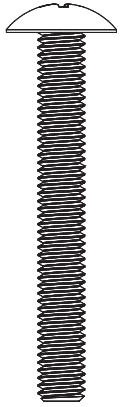
Refer to exit device installation instructions for details of strike installation.

7

Install Inside Escutcheon Plate



#10-32 x 1-1/2" THPMS



x1



#8 x 3/8" PRH Sheet Metal



x2

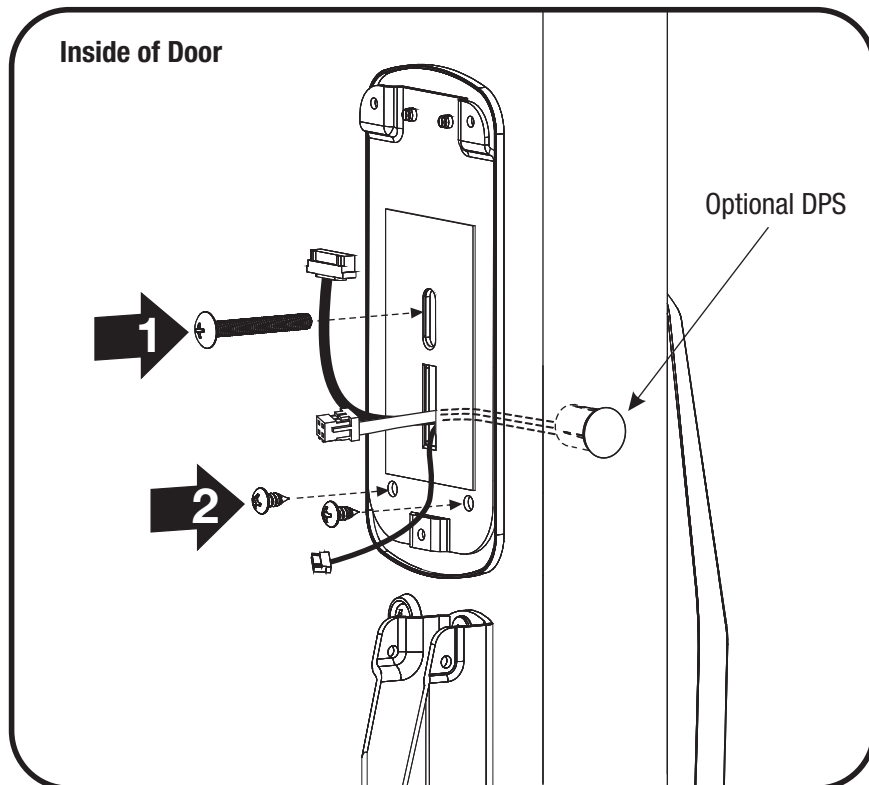
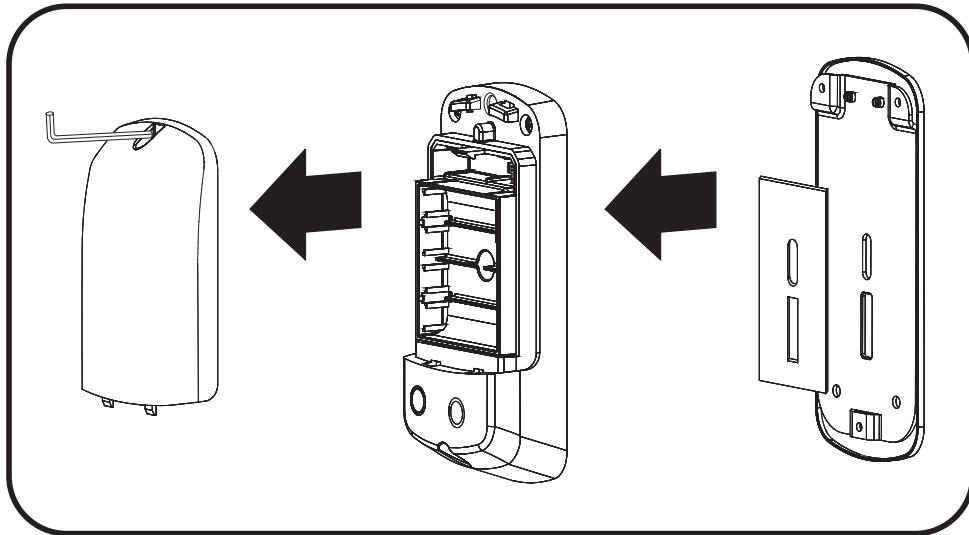
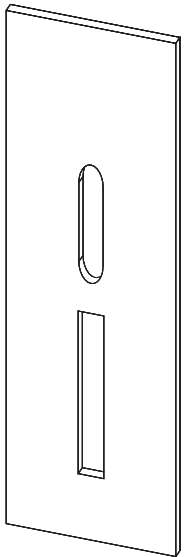
OR

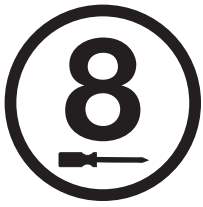


#8 x 1/2" PHWS Wood

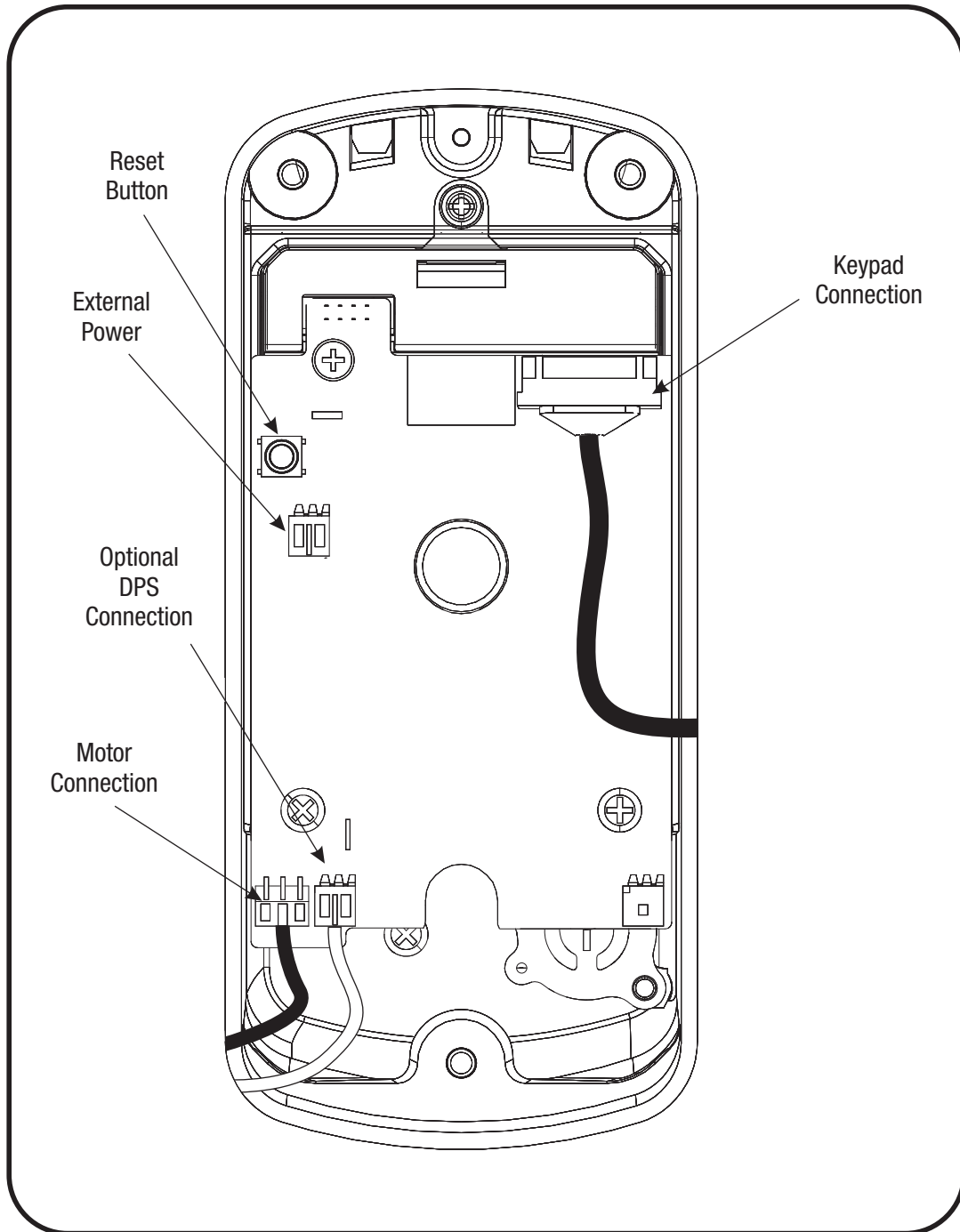


x2





Attach Cables to Inside Escutcheon

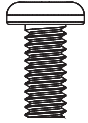


9

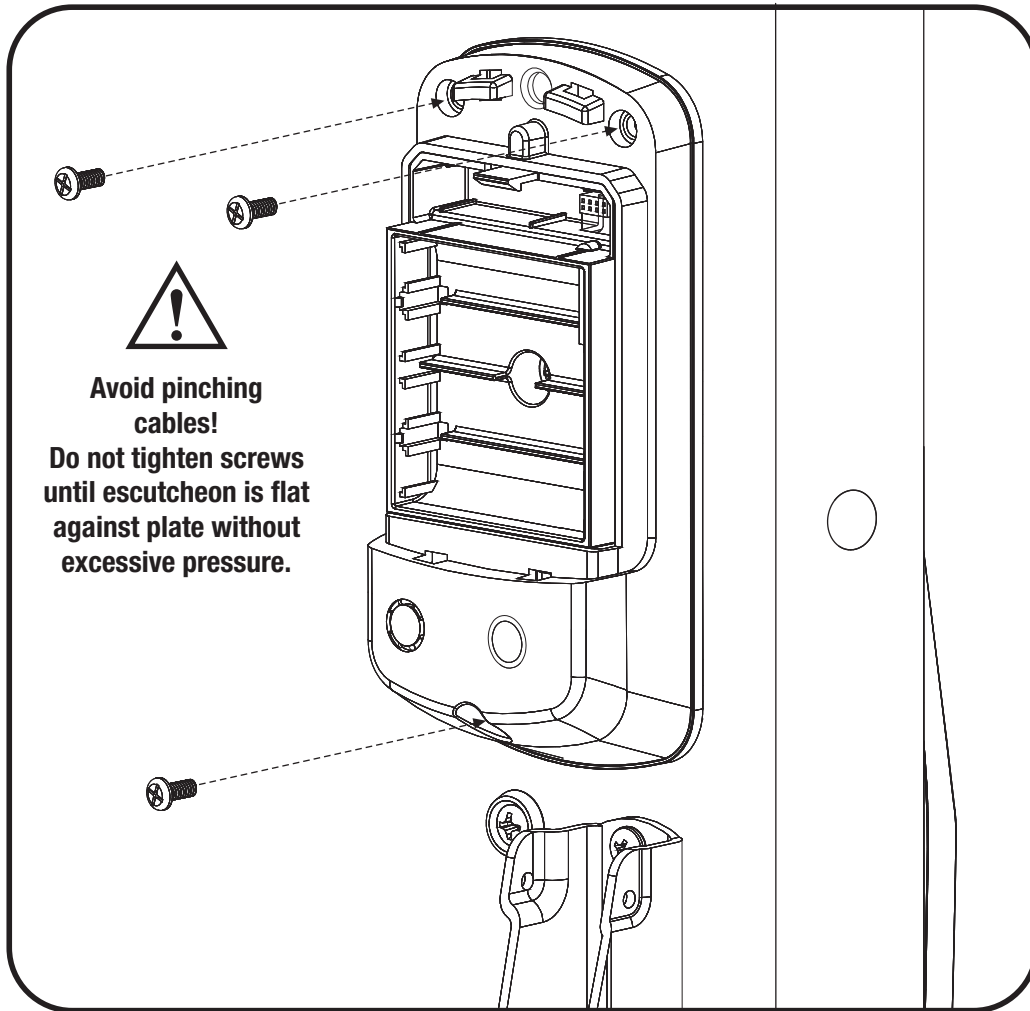
Install Inside Escutcheon



#8-32 x 5/16" PHMS



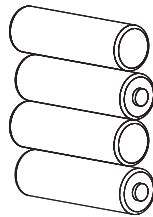
x3



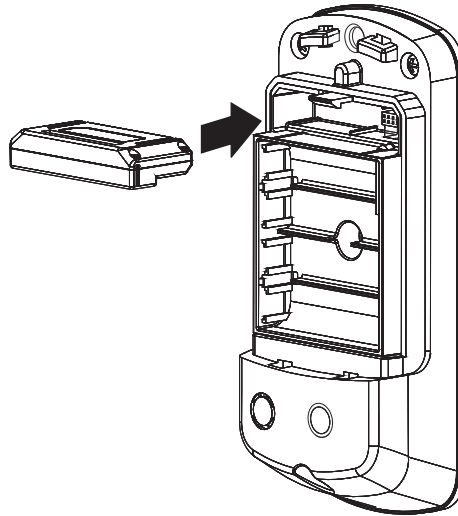
10

Install Module (optional)

Network or Yale Accentra Key Module

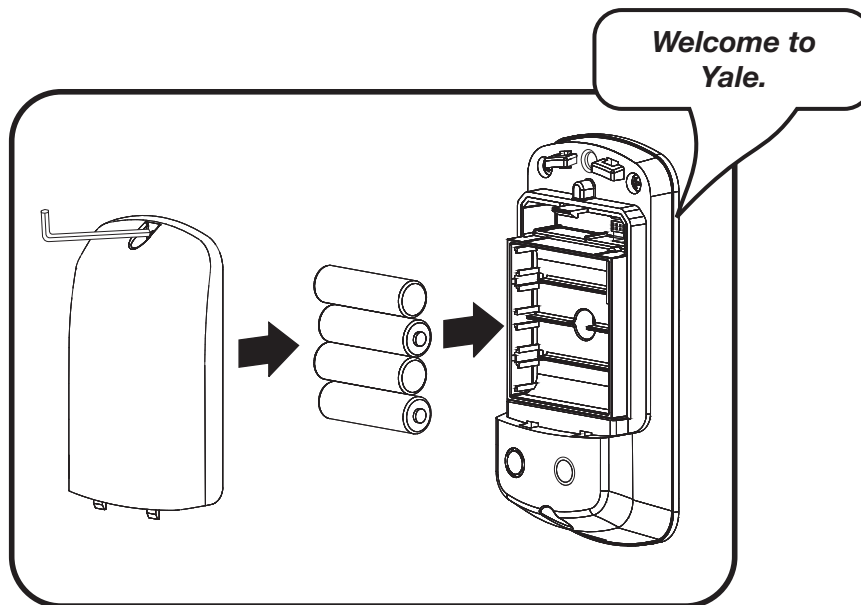


Optional Network or Yale
Accentra Key module must be
installed with batteries
REMOVED.



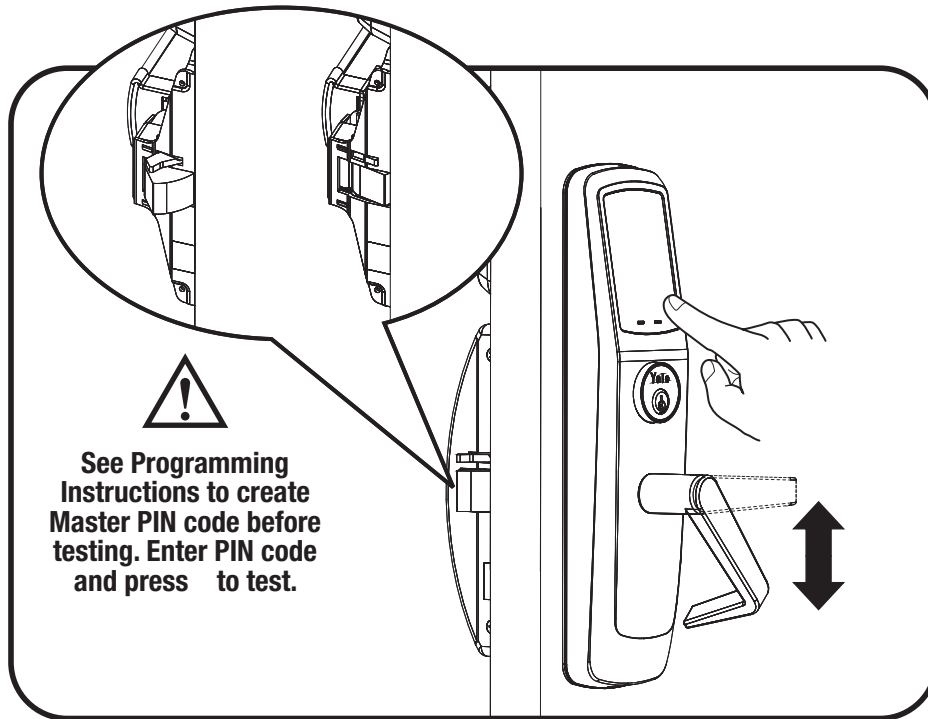
11

Install Batteries & Cover

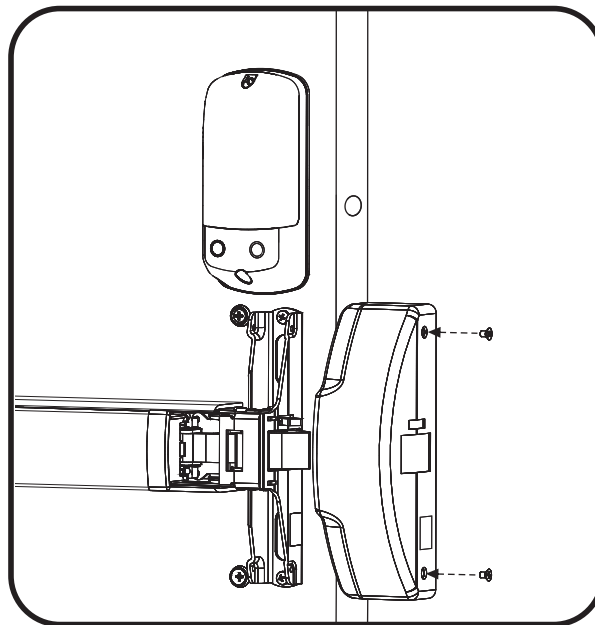




Test Electronic Lock Function by Keypad

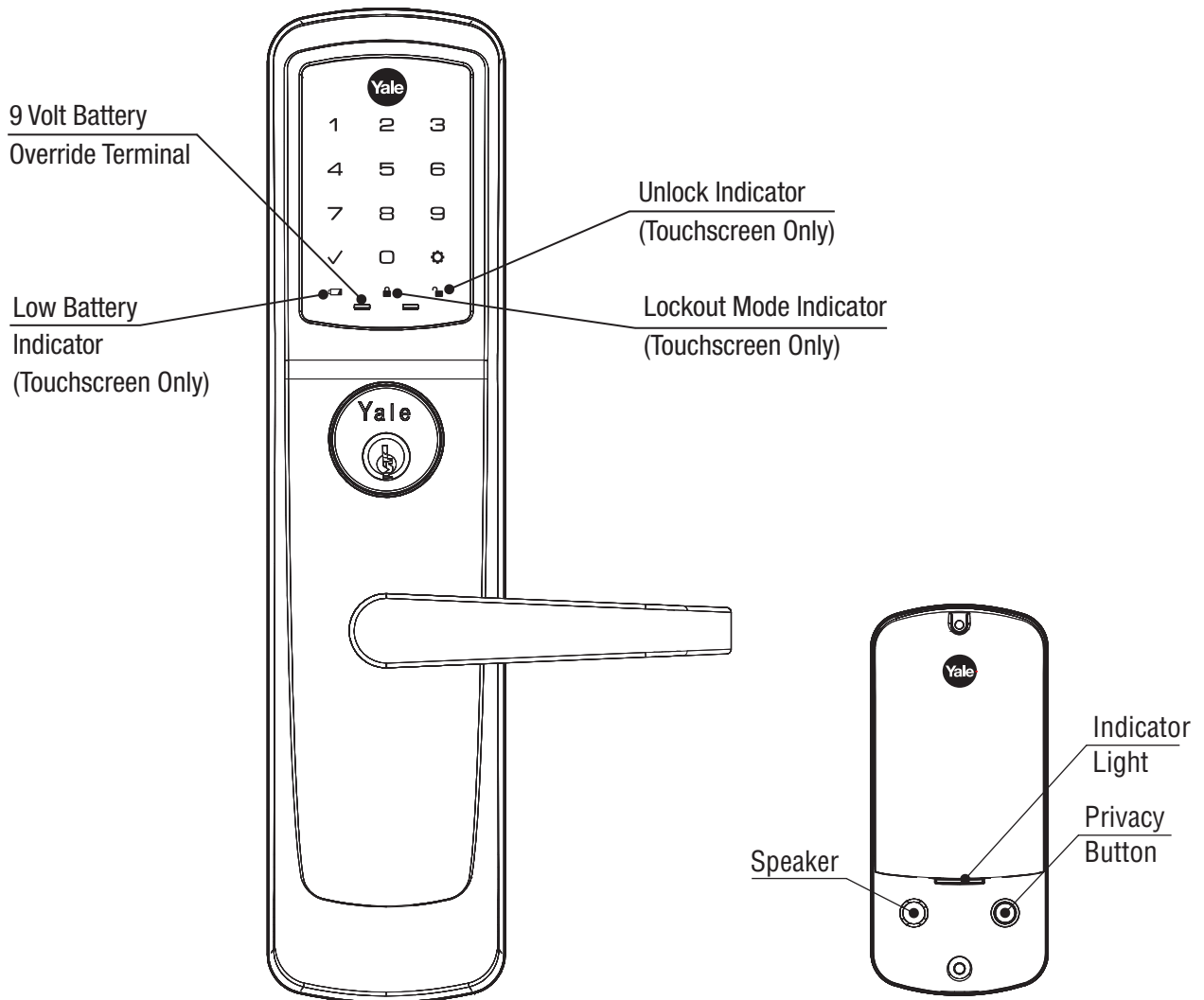


12 Install Exit Device Cover



Congratulations, you've installed the Yale nexTouch® Lock!
Continue to customize your product.

Programming Instructions



Exterior Touchscreen Escutcheon

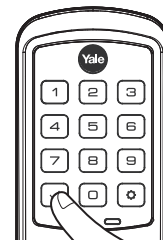
Interior Escutcheon (Push Button and Touchscreen)

Lock Activation



Touchscreen

OR



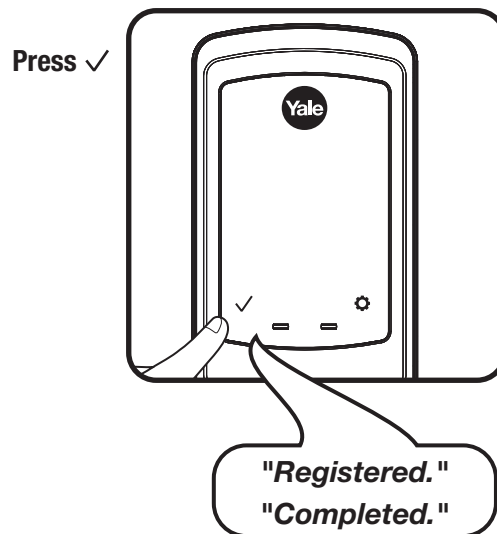
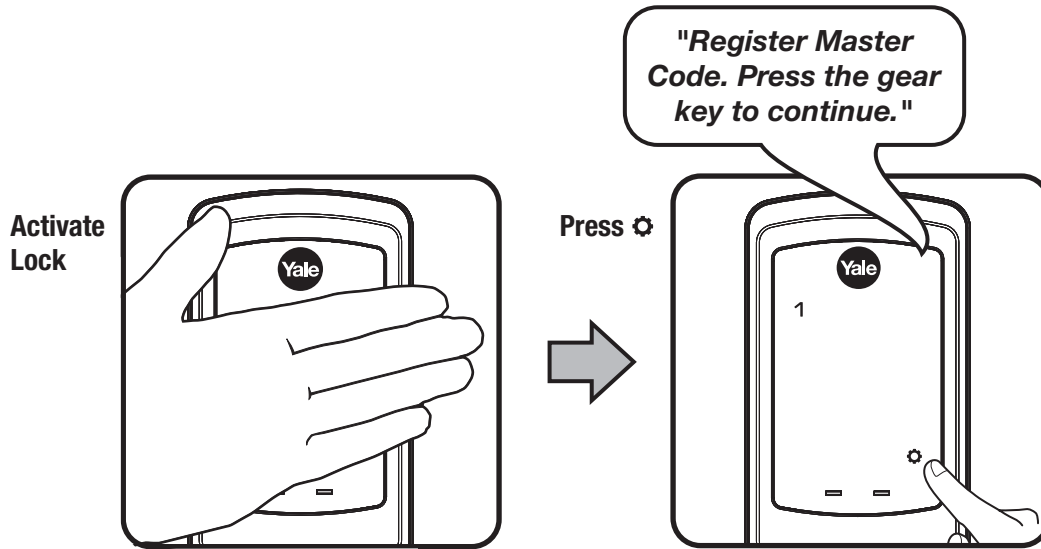
Push Button

Master PIN Code must be created before any further programming.
Max User Codes = 500

1

Creating Master PIN Code

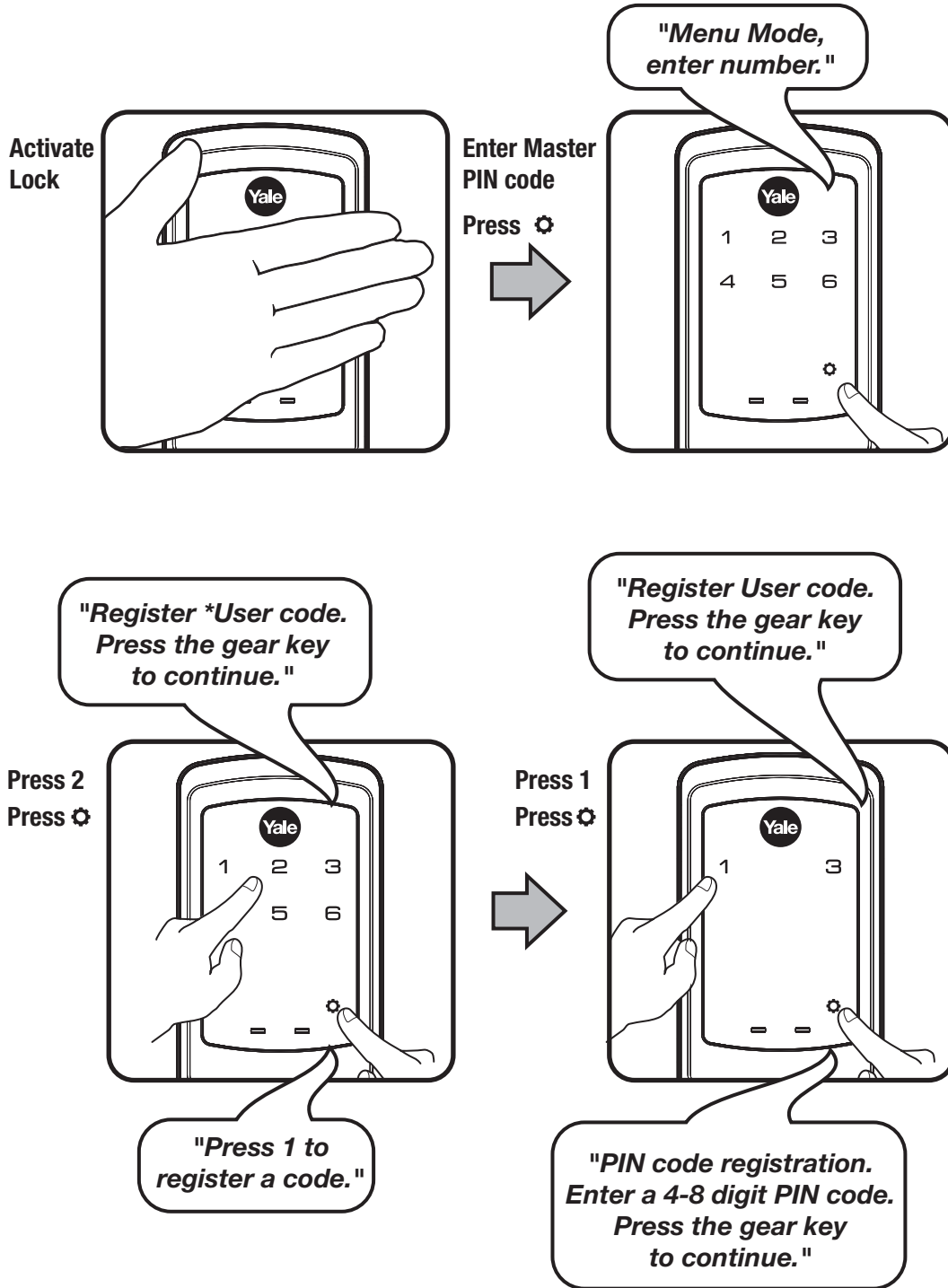
Creating a Master PIN Code must be performed upon installation or after resetting the lock to factory default. Programming and use of lock is not possible until this step has been successfully completed.



2_a

Creating User PIN Codes

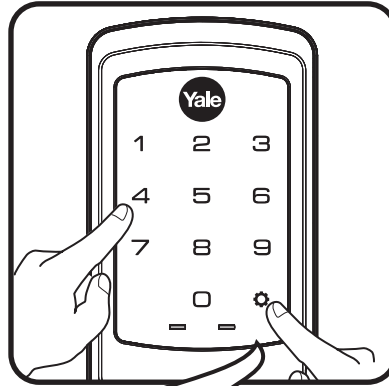
Master PIN code must be created first.
*Max User Codes = 500



2_b

Creating User PIN Codes can't

Enter 4-8 digit PIN code
followed by ⚙

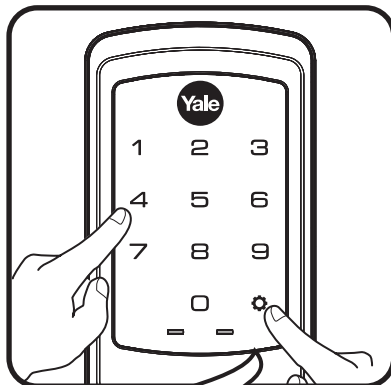


*"Registered.
Press the check key to
complete. Press the gear
key to continue."*



Adding more User Codes:

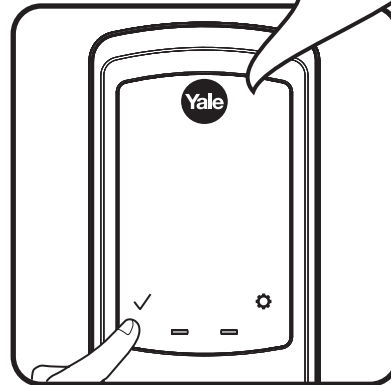
Press ⚙
Enter 4-8 digit PIN code
Press ⚙



*"Registered.
Press the check key to
complete. Press the gear
key to continue."*

To end programming:

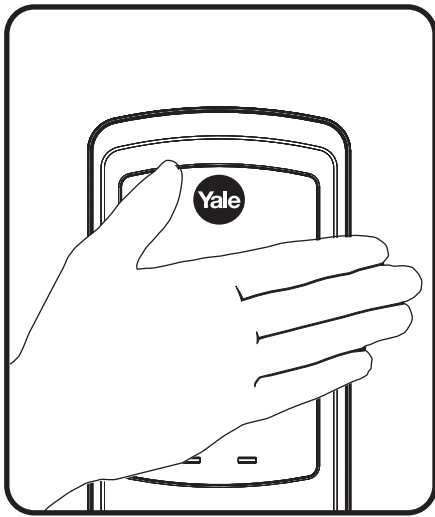
Press ✓



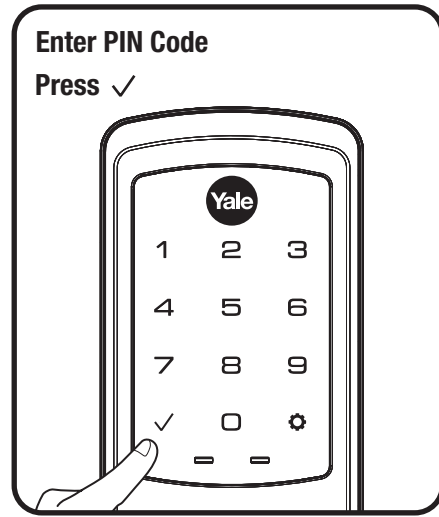
"Completed."

3

Locking & Unlocking Door with Registered Master or User PIN Code

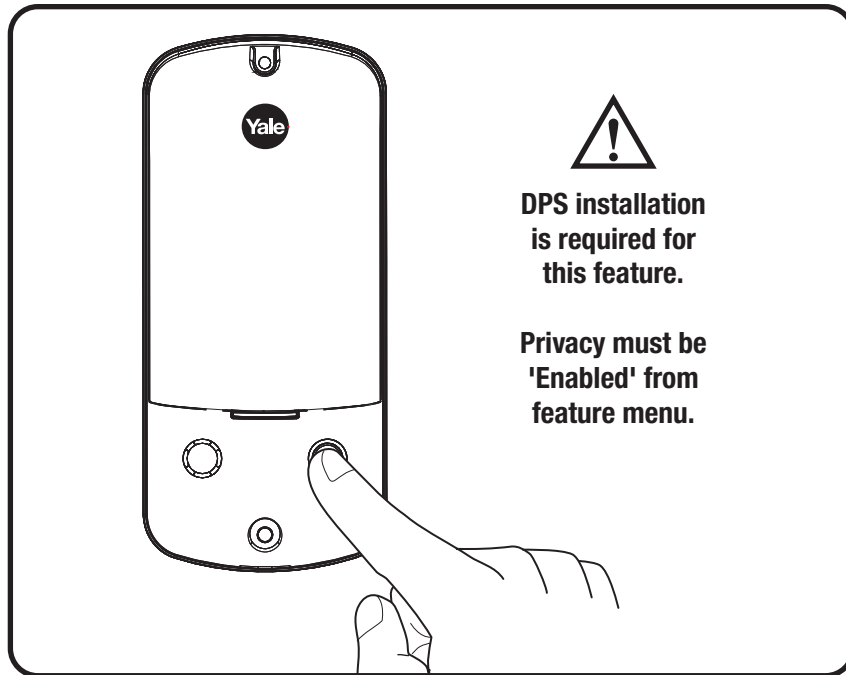


OR

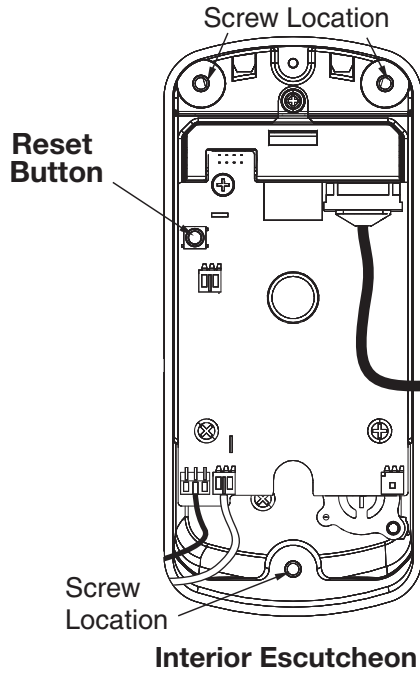


4

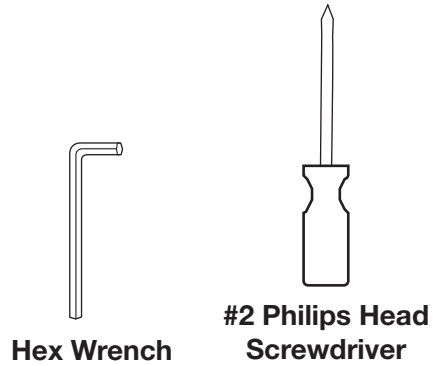
Locking Door with Privacy Button



Resetting Lock to Factory Default



When lock is reset to factory defaults all user codes (including the Master PIN code*) are deleted and all programming features are reset to original default settings (see Factory Settings). Master PIN Code creation is the only option available and must be performed prior to any other programming of the lock.



IMPORTANT: The outside assembly remains assembled.

1. Remove battery cover with supplied hex wrench.
2. Remove three (3) screws from escutcheon to release escutcheon from bracket plate.
3. Reset button is on back of escutcheon. Cables may stay connected. (See illustration for location of reset button.)
4. Press reset button for 3 seconds.
5. While continuing to press reset button, temporarily remove one (1) AA battery.
6. Reinstall battery.
7. Release reset button and wait approximately 15 seconds. Speaker will announce "Welcome to Yale."
8. Reinstall escutcheon.

Factory Settings

| Settings | Factory Setting |
|------------------------|----------------------------|
| Master PIN Code | Creation <i>required</i> * |
| All Code Lockout Mode | Disabled |
| Automatic Relock | 3 Seconds |
| Eco Mode | Disabled |
| Inside Indicator Light | Enabled |
| Language | English |
| One Touch Locking | Enabled |
| Privacy | Disabled |
| Shutdown Time | 60 Seconds |
| Volume Setting | High |
| Wrong Code Entry Limit | 5 Times |

*The Master PIN code must be created prior to any other programming of the lock.

Definitions

All Code Lockout Mode: This feature is enabled by the Master code. When enabled, it restricts all user (except Master) PIN code access. When attempting to enter a code while unit is in Lockout, the RED locked padlock will appear on the screen. (Main Menu selection #6.)

Automatic Re-lock Time: After a successful unlock, unit will re-lock automatically after 3 seconds or for a duration selected in **Advanced Lock Settings** (Main Menu selection #3 then #1).

Eco Mode: When enabled, Eco Mode puts unit in low power mode extending life of battery.

Inside Indicator Light: This light will blink red when the trim is locked.

Language Setting Mode: Choose English (1), Spanish (2) or French (3) for the lock's voice prompts. (Main Menu selection #5.)

Low Battery: When battery power is low, the Low Battery Warning indicator flashes RED. If battery power is completely lost, use the 9Volt battery override. To use the 9V battery override apply 9V battery, in either direction, to terminals on the touchscreen for backup power option. Activate the touchscreen and enter your pin code to unlock the door.

Master PIN Code: The Master PIN code is used for programming and for feature settings. **It must be created prior to programming lock.** The Master code will also operate (unlock/lock) lock.

Network Module Setting: With the optional Network Module installed, this setting becomes available (Main Menu selection #7) and allows the lock to connect with a network controller.

One Touch Locking: When unit is unlocked, activating the touchscreen will lock unit (during Automatic Re-lock duration or when Automatic Re-lock is disabled). When One-Touch Re-lock is **not** in use (**disabled**), any valid PIN code will re-lock the lock. (Main Menu selection #3 then #3.)

Privacy Button to Lock Door: A short 1 second press of this button will lock the door.

Privacy Mode: With optional Door Position Switch installed, Privacy Mode enabled thru Menu Mode and door closed, all keypad functions can be disabled with a 3 second press of the Privacy Button. Privacy Mode is disabled by default. Enable Privacy Mode thru Main Menu selection #3 then #4. With door closed, press and hold the privacy button until voice prompt indicates Privacy Mode is enabled. Privacy Mode duration ends when door is opened and voice prompt indicates Privacy Mode is disabled.

Shut Down Time: Unit will shut down for sixty (60) seconds and not allow operation after wrong code entry limit (5 attempts) has been met. When unit is in Shut down, keypad will be flashing.

Tamper Alert: Audible alarm sounds if attempting to forcibly remove outside lock from door.

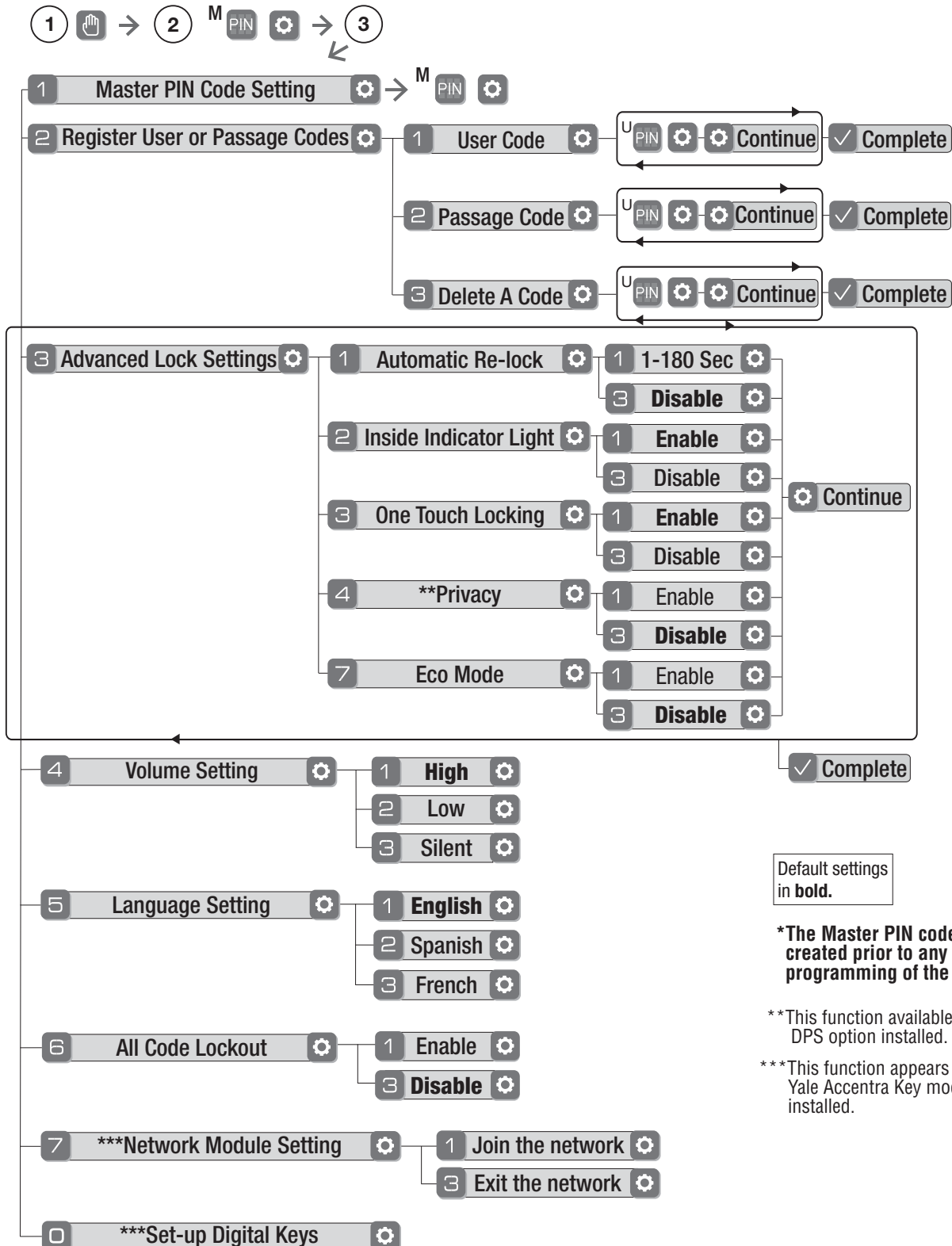
User PIN Code: The User code operates the lock. Maximum number of user codes is 500.

Volume Setting Mode: The volume setting for PIN code verification is set to **HIGH (1)** by default; otherwise it can be set to **Low (2)** or **Silent (3)** for quiet areas. (Main Menu selection #4.)

Wrong Code Entry Limit: After five (5) unsuccessful attempts at entering a valid PIN code, the unit will shut down and not allow operation for sixty (60) seconds. When the unit is in Shut Down, the keypad will be flashing.

Feature Programming Through Menu Mode Using Master PIN code*

1. Touch screen with back of hand or palm to activate.
2. Enter 4-8 digit master PIN code* followed by key.
Lock Response: "Menu mode, enter number (Enter digit corresponding to the function to be performed), press the key to continue."
3. Follow the voice commands.
4. Press key to complete the process and conclude the programming session.



Default settings
in **bold**.

*The Master PIN code must be created prior to any other programming of the lock.

**This function available only with DPS option installed.

***This function appears only with Yale Accentra Key module installed.

Programming Troubleshooting

| Symptom | Suggested Action |
|---|--|
| Lock does not respond – door is open and accessible. | <ul style="list-style-type: none"> • Touchscreen becomes active when pressed w/whole hand. Use a larger area of the hand or fingers and verify contact with at least 3 areas. • If touchscreen numbers are visible, check to see if they respond when pressed. • Check batteries are installed and oriented correctly (polarity) in the battery case. • Check batteries are in good condition; replace batteries if discharged. • Check to see if touchscreen cable is fully connected and not pinched. |
| Lock does not respond – door is locked and inaccessible. | <ul style="list-style-type: none"> • Batteries may be completely discharged. • Apply 9V battery to terminals on the touchscreen for emergency power jump option. |
| Unit is on for a while then shows no reaction. Lights dim. | <ul style="list-style-type: none"> • Batteries do not have enough power. Replace batteries. |
| Unit chimes to indicate code acceptance, but the door will not open. | <ul style="list-style-type: none"> • Check for another locking device on the door (i.e. deadbolt). • Check the door gaps for any foreign objects between door and frame. • Check that the motor cable is firmly connected into the PC board marked "MOTOR". |
| Unit operates to allow access, but will not automatically re-lock. | <ul style="list-style-type: none"> • Check to see if Auto Re-lock Mode is enabled. • If low battery indicator is lit (see below), change batteries. |
| PIN codes will not register. | <ul style="list-style-type: none"> • PIN codes must consist of 4 to 8 digits to register. • The same PIN code cannot be used for multiple users. • Creation/management of PIN codes is set by the authority of the Master Code, which is set first. • Contact the Master user. • User codes must be entered within 20 seconds (while touchscreen is active) or process will have to be restarted. • Check ✓ or gear ⚙ cannot be used as part of the PIN code. |
| Upon entering a PIN code and pressing ✓ key, the unit displays "invalid code" error or lock times out without responding. | <ul style="list-style-type: none"> • Check to see if All Code Lockout Mode is enabled. • Only the Master can enable/disable Lockout Mode. Contact the Master user. |
| Upon entering a PIN code and pressing the ✓ key, the red padlock icon appears and there are different tones. | <ul style="list-style-type: none"> • Check to see if All Code Lockout Mode is enabled. • Only the Master can enable/disable Lockout Mode. Contact the Master user. |
| The unit operates, but it makes no sound. | <ul style="list-style-type: none"> • Check to see if Volume is set to Silent. |
| The unit responds "Low Battery" | <ul style="list-style-type: none"> • This is the alert to replace the batteries. Replace all four (4) batteries with new AA Alkaline batteries. |
| Upon entering a PIN code and pressing the ✓ key, the unit responds "Wrong number of digits". | <ul style="list-style-type: none"> • The digits entered were incorrect or incomplete. Re-enter 4-8 digits followed by the check ✓ key. |
| Lock will not enter privacy mode. | <ul style="list-style-type: none"> • Check to see if enabled. • Make sure door gap is correct. • Hold the privacy button longer. |

NOTE: When batteries are replaced, Network Module locks have a real time clock that will be set through the User Interface (UI); it is recommended to verify correct date and time particularly those locks operating under Daylight Saving Time (DST).

Hardware Troubleshooting

Door is binding.

- a. Check that door and frame are properly aligned and door is free swinging.
- b. Hinges should not be loose or have excessive wear.

For additional hardware troubleshooting, please refer to exit device installation instructions.

FCC:

NOTE: This equipment has been tested and found to comply with the limits for a Class B digital device, pursuant to part 15 of the FCC Rules. These limits are designed to provide reasonable protection against harmful interference in a residential installation. This equipment generates, uses and can radiate radio frequency energy and, if not installed and used in accordance with the instructions, may cause harmful interference to radio communications. However, there is no guarantee that interference will not occur in a particular installation. If this equipment does cause harmful interference to radio or television reception, which can be determined by turning the equipment off and on, the user is encouraged to try to correct the interference by one or more of the following measures:

- Reorient or relocate the receiving antenna.
- Increase the separation between the equipment and receiver.
- Connect the equipment into an outlet on a circuit different from that to which the receiver is connected.
- Consult the dealer or an experienced radio/ TV technician for help.

Warning: Changes or modifications to this device, not expressly approved by **ASSA ABLOY Access and Egress Hardware Group, Inc.** could void the user's authority to operate the equipment.

Industry Canada:

This device complies with Industry Canada licence-exempt RSS standard(s). Operation is subject to the following two conditions: (1) this device may not cause interference, and (2) this device must accept any interference, including interference that may cause undesired operation of the device.

Le présent appareil est conforme aux CNR d'Industrie Canada applicables aux appareils radio exempts de licence. L'exploitation est autorisée aux deux conditions suivantes: (1) l'appareil ne doit pas produire de brouillage, et (2) l'utilisateur de l'appareil doit accepter tout brouillage radioélectrique subi, même si le brouillage est susceptible d'en compromettre le fonctionnement.

IMPORTANT! Tous les changements ou modifications pas expressément approuvés par la partie responsable de la conformité ont pu vider l'autorité de l'utilisateur pour actionner cet équipement.

Yale Locks & Hardware

Product Support Tel 800.438.1951 • www.yalelocks.com

Yale Commercial is a business associated with ASSA ABLOY Access and Egress Hardware Group, Inc., an ASSA ABLOY Group company. Copyright © 2019, ASSA ABLOY Access and Egress Hardware Group, Inc. All rights reserved. Reproduction in whole or in part without the express written permission of ASSA ABLOY Access and Egress Hardware Group, Inc. is prohibited.