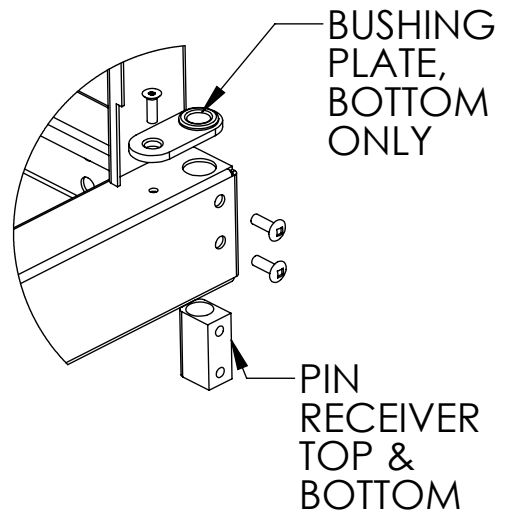
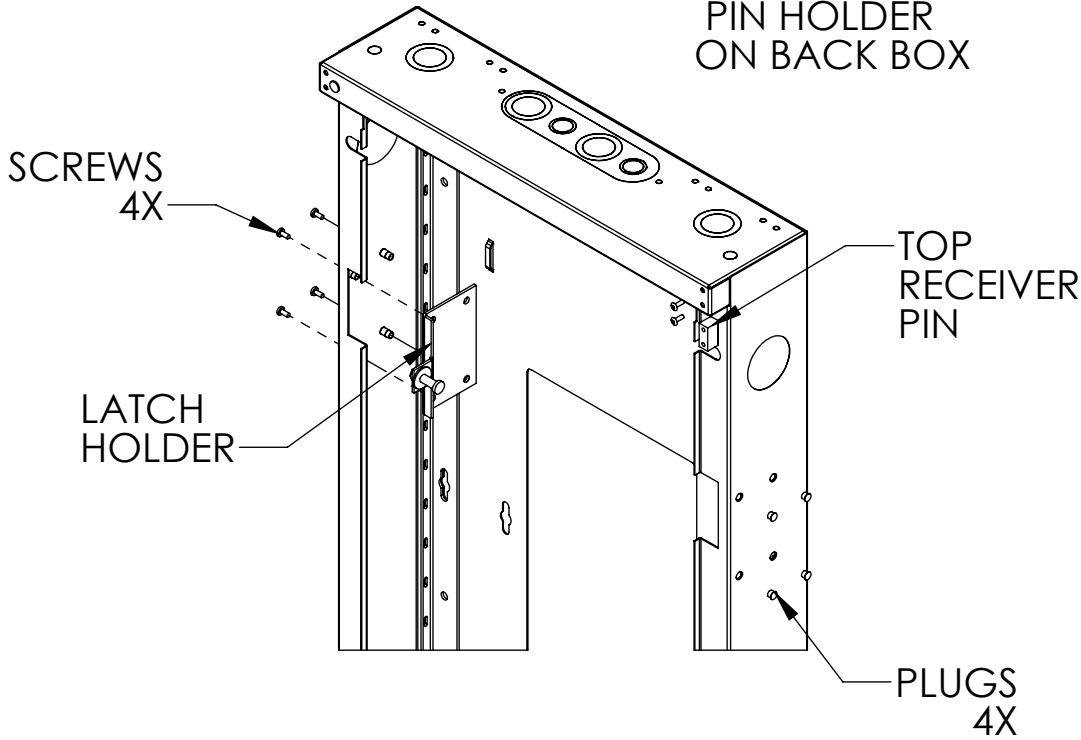
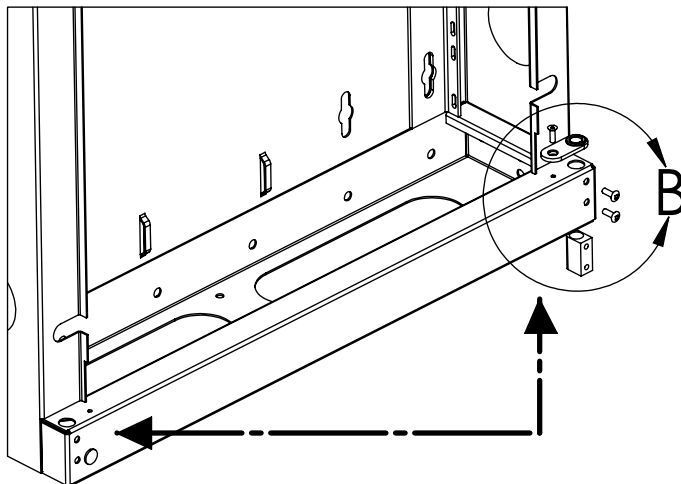


PN: 18474 rev E
Sheet 1 of 3

CHANGE OVER
OF SLAM LATCH
PIN HOLDER
ON BACK BOX



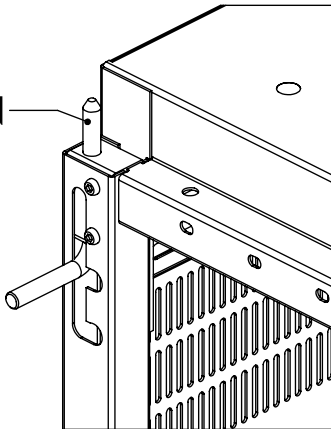
DETAIL B
SCALE 1 : 3



MOVE 2 PIN RECEIVERS, TOP & BOTTOM TO OPPOSITE HOLES

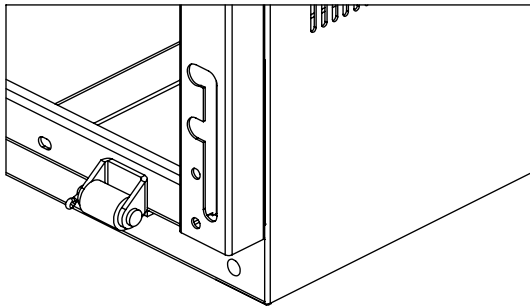
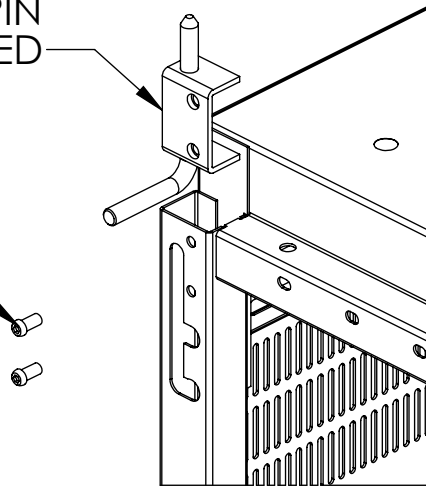
MOVE BUSHING PLATE TO HOLE

INSTALLED
HINGE PIN

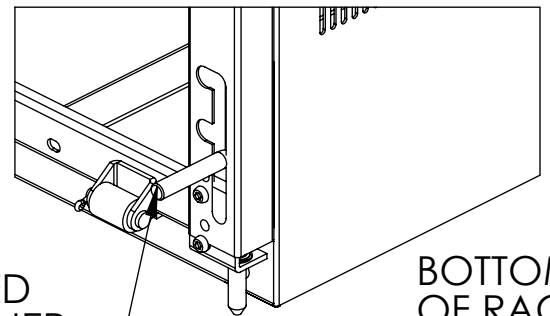


REMOVE
SCREWS
HEX
NEEDED
2X

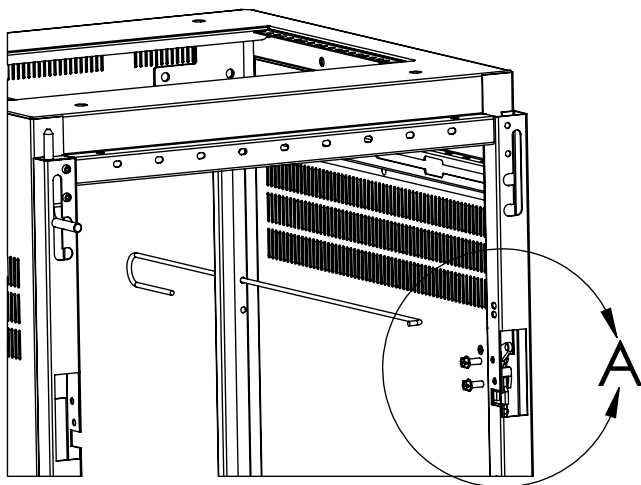
HINGE PIN
REMOVED



HINGE INSTALLED
OPPOSITE CORNER
OF RACK, BOTTOM



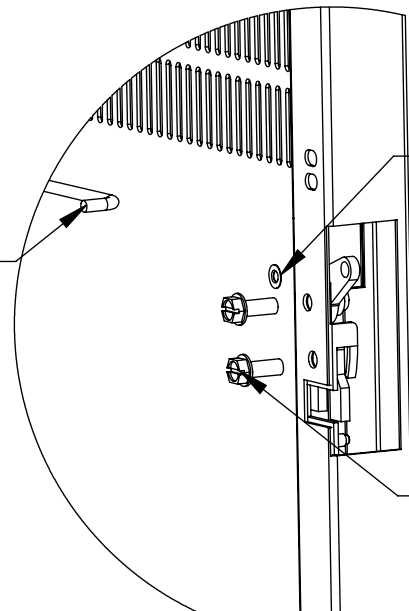
BOTTOM
OF RACK
OPPOSITE
CORNER



ROD

RETAINING
CLIP

2X
10-32
SCREWS



DETAIL A
SCALE 1 : 3

PN: 18474 rev E
Sheet 3 of 3