

## SPIP200M IP Audio Encoder



### Specification

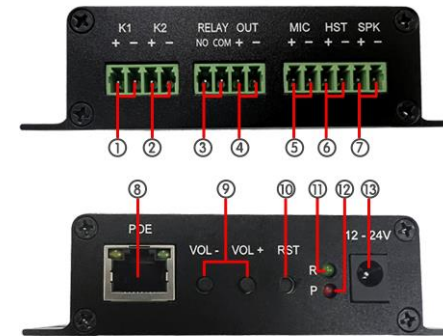
<b>Protocol</b>	SIP, ONVIF, HTTP, IPv4, DHCP, RTSP, RTP, RTCP, TCP, UDP, ARP, FTP, TFTP, NFS, NTP
<b>Codec</b>	OPUS 48 kHz, MP3 44.1 kHz, G.722 ADPCM 16 kHz, G.711 PCMU 8 kHz, G.711 PCMA 8 kHz
<b>Network Interface</b>	RJ45, 10BASE-T/100BASE-TX
<b>Power</b>	PoE or DC 12V/24V
<b>Rated Power</b>	15W
<b>Interface</b>	6 Pin Audio Interface: 1* MIC input, 1* Headset output, 1* Speaker output 4 Pin IO Interface: 2* IO Alarm input 4 Pin Alarm Out Interface: 1* Relay output, 1* IO output
<b>Function</b>	Compatible with VoIP devices and ONVIF VMS, supports two-way communication, pre-recorded messages, schedule play, GPIO in, HTTP control
<b>Material</b>	Metal
<b>Color</b>	Black
<b>Weight</b>	250g

Refer to the product page for the User Manual and full product details at [specotech.com](http://specotech.com)

### Features

- Two-way audio communication.
- SIP & ONVIF protocol compatibility.
- PoE eliminates the need for local power supply.
- 48K OPUS Audio Codec enables excellent sound quality.
- Support pre-recorded messages, schedule, HTTP, alarm in/out.

### Interface



Label	Description	Label	Description
①	IO Input Interface	②	IO Input Interface
③	Relay NO COM Interface	④	IO Output Interface
⑤	Microphone Interface	⑥	Headset Interface
⑦	Speaker Interface	⑧	PoE Interface
⑨	Volume Control Key	⑩	Reset Interface
⑪	Audio LED	⑫	Power LED
⑬	Power Input Interface		