

# OCTAGON ARM REVERSE/LED EDGE INSTALLATION

DoorKing Part Number  
**1601-235**  
Octagon Arm Hardware Kit

This kit is designed for a 1601 barrier gate operator **OR** 1603 auto-spikes barrier operator. It **CANNOT** be used with a 1602 operator. The kit provides a reversing edge with OR /without Red/Green LEDs for a **octagon** arm. When the arm is raised, LEDs turn **GREEN**, and turns **RED** when lowered and remains **RED** in the down position. Arm will reverse if lowering and a obstruction is encountered.

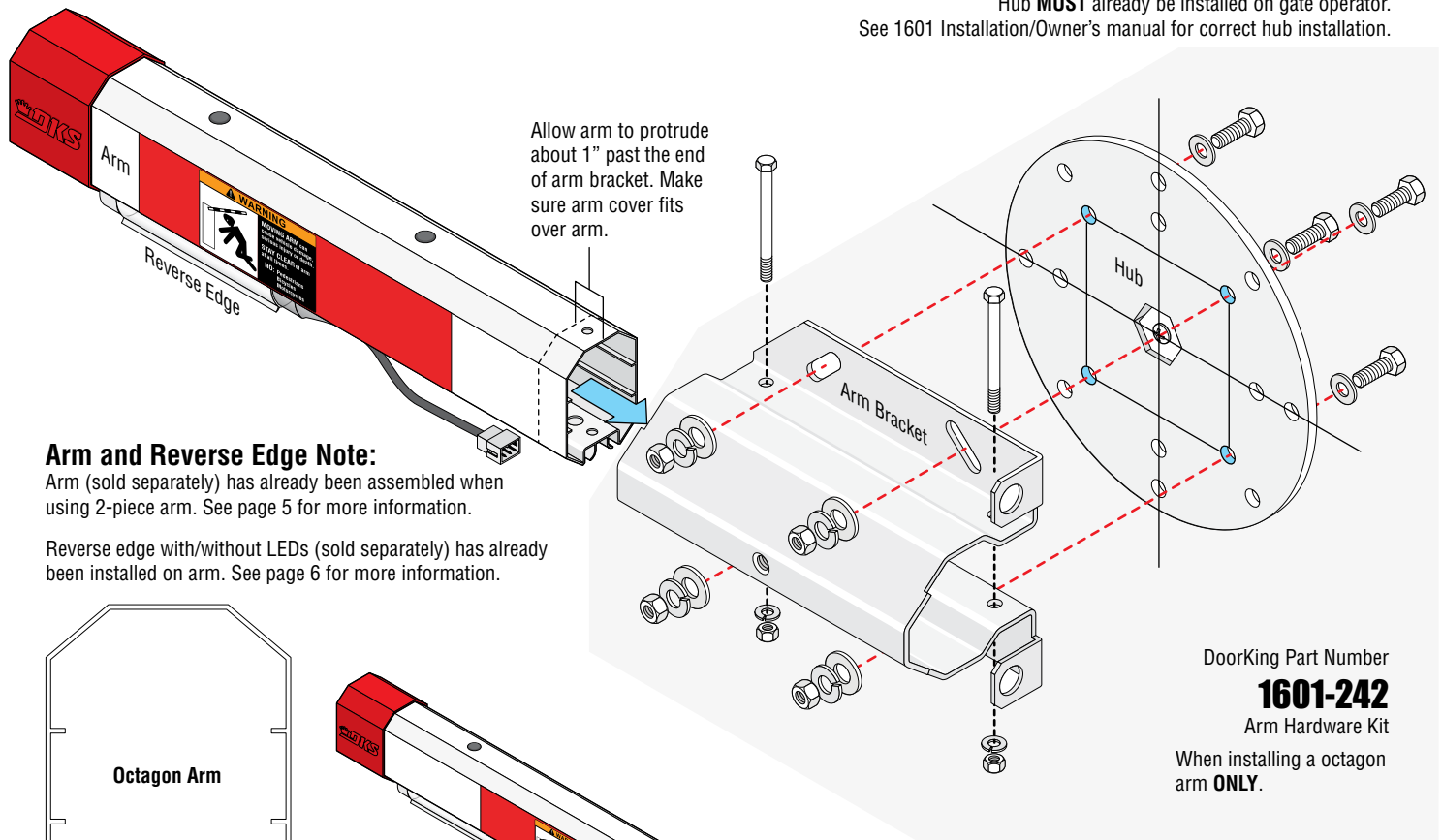
**Note: DO NOT** operate arm with a malfunctioning reverse edge.

## Installation

Drawings NOT to scale

### Install Bracket

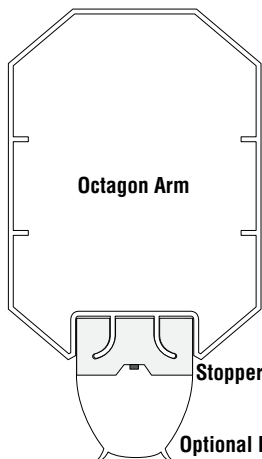
Test hub **UP** and **DOWN** position before installing bracket.



### Arm and Reverse Edge Note:

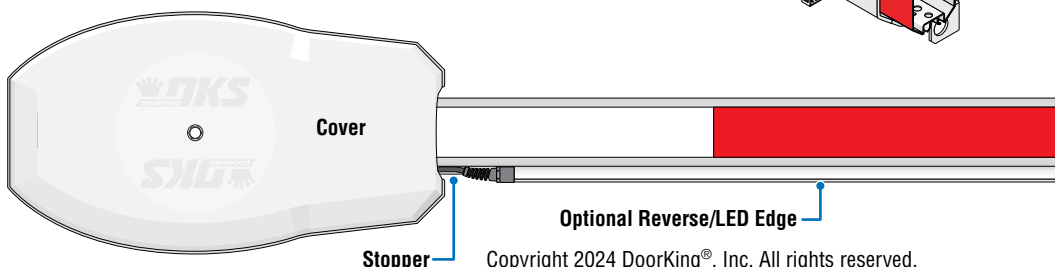
Arm (sold separately) has already been assembled when using 2-piece arm. See page 5 for more information.

Reverse edge with/without LEDs (sold separately) has already been installed on arm. See page 6 for more information.



Stopper **MUST** be used or edge will slide in slot.

Optional Reverse/LED Edge



Stopper

Optional Reverse/LED Edge

Copyright 2024 DoorKing®, Inc. All rights reserved.

DoorKing Part Number  
**1601-242**  
Arm Hardware Kit  
When installing a octagon arm **ONLY**.

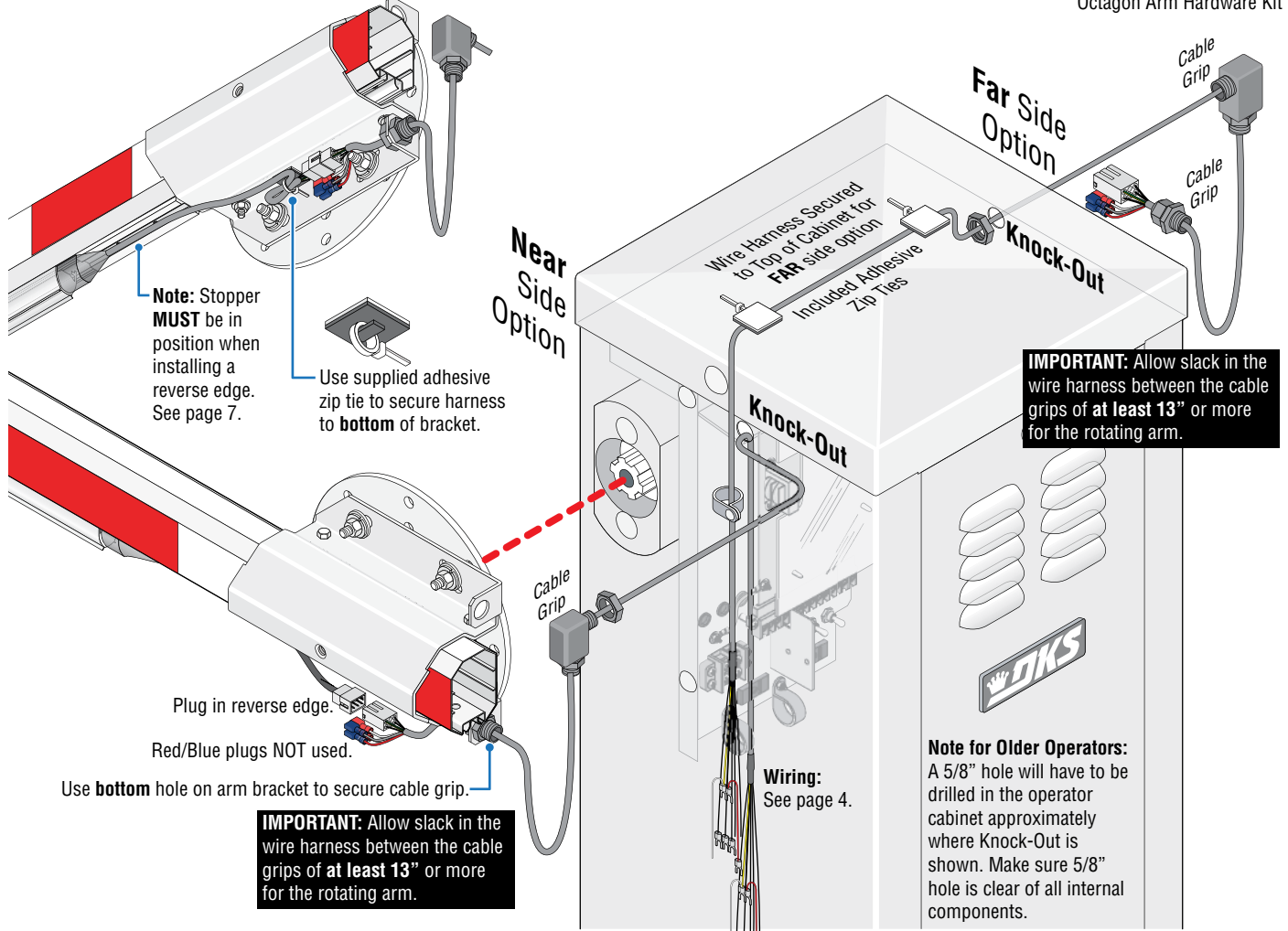
# Run Wire Harness (1601-356)

Choose which side of the operator the arm is mounted on, remove knock-out and run wire harness accordingly as shown.

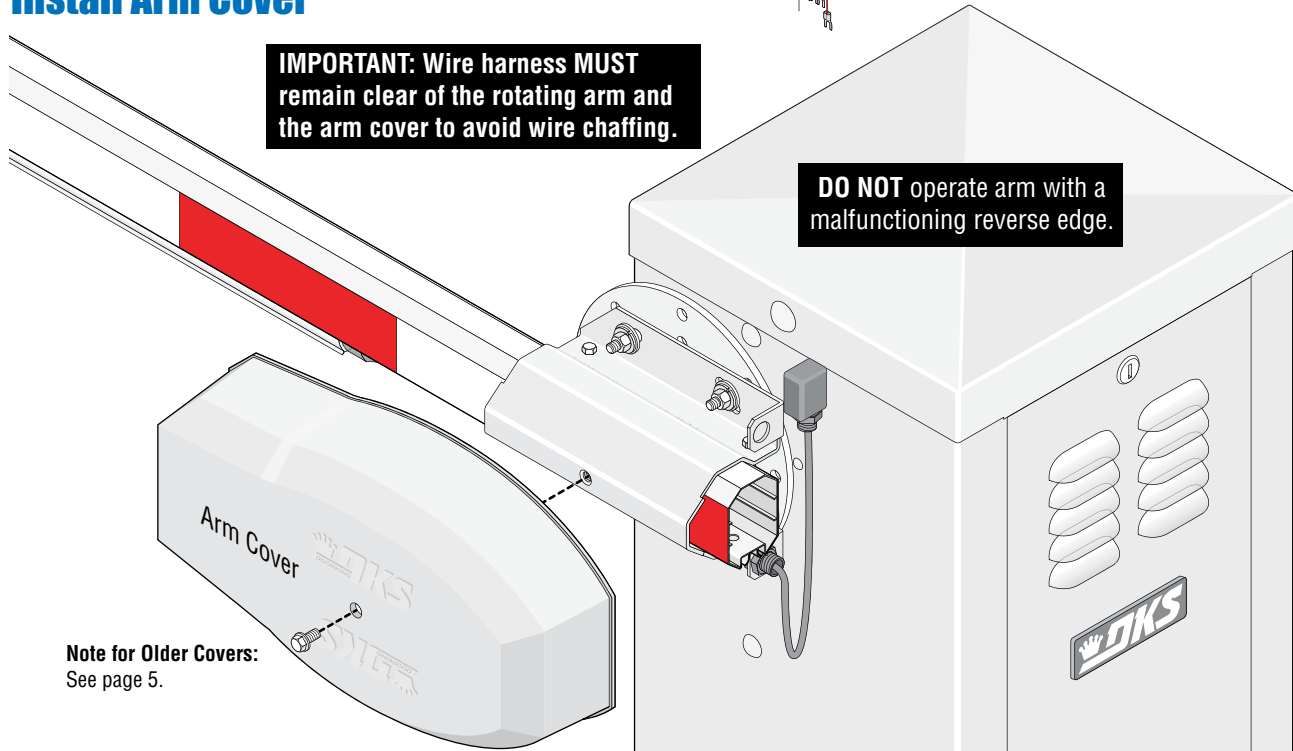
DoorKing Part Number

**1601-235**

Octagon Arm Hardware Kit

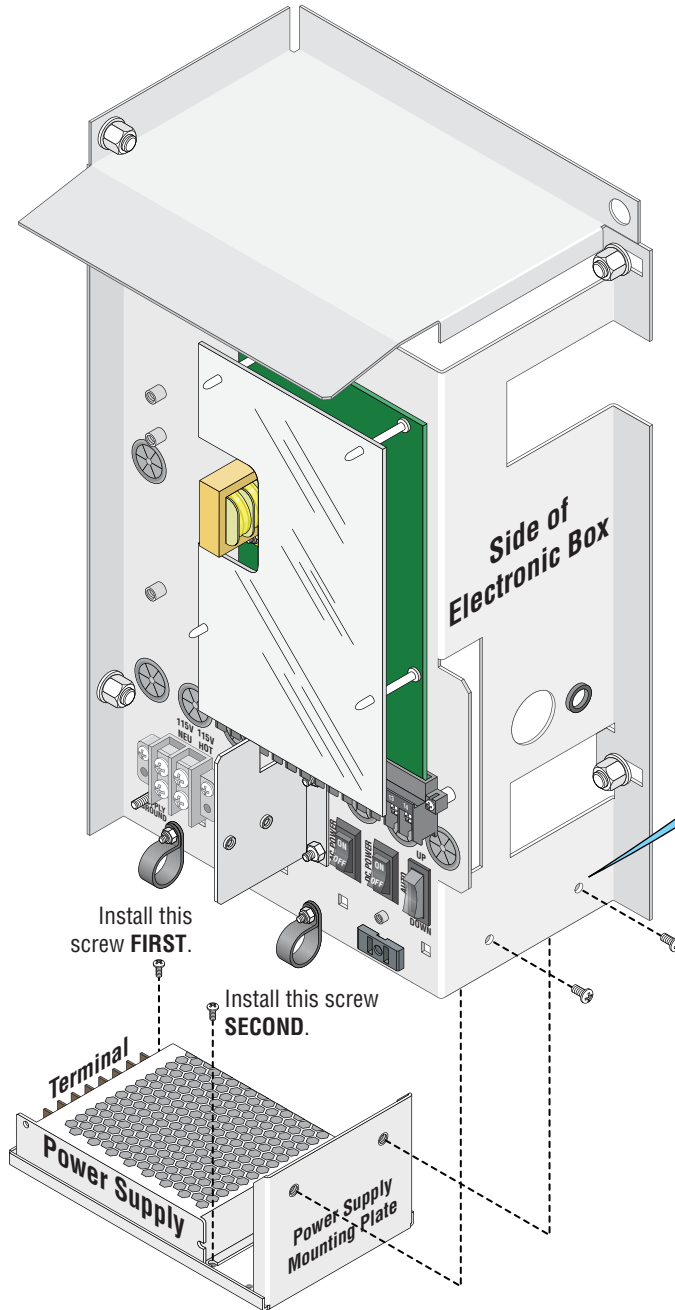


# Install Arm Cover

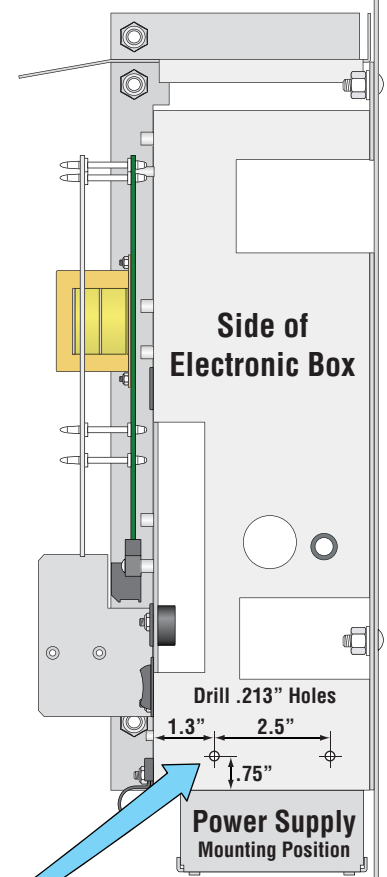


# Mount Power Supply

**IMPORTANT:** Power supply **MUST** be wired **BEFORE** mounting it as shown. See next page.

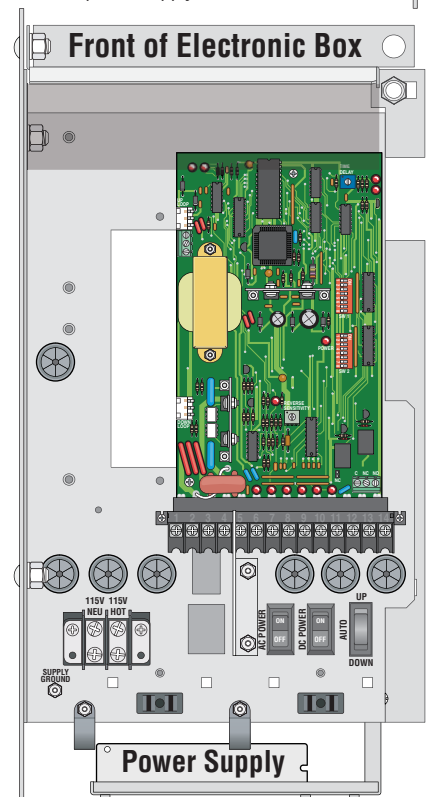


## Mount Power Supply



## Drill Hole Positions

Drill holes in positions shown to mount power supply to side of electronic box.



# Wiring

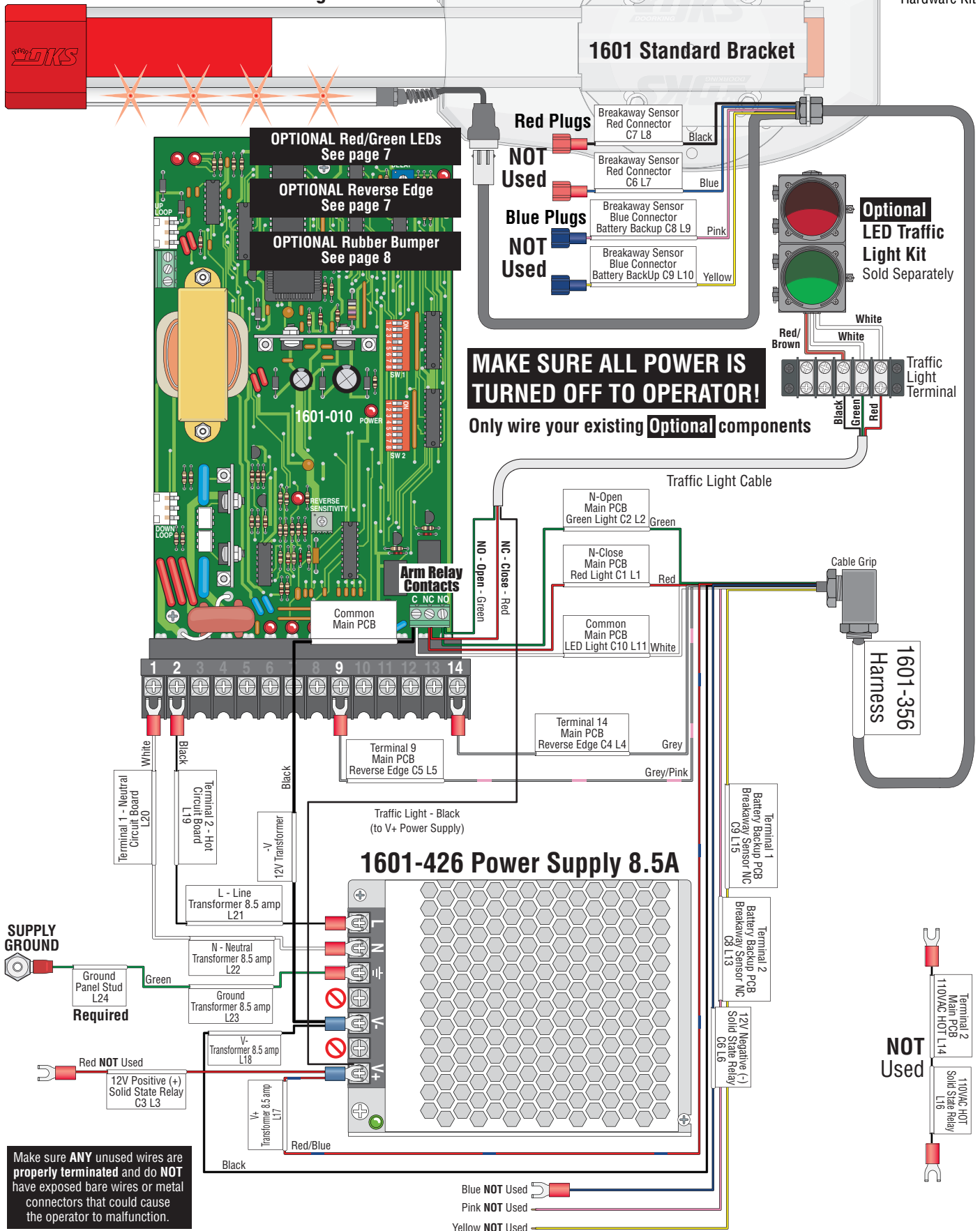
DoorKing Part Number

**1601-235**

Octagon Arm  
Hardware Kit

## 1601 Octagon Arm

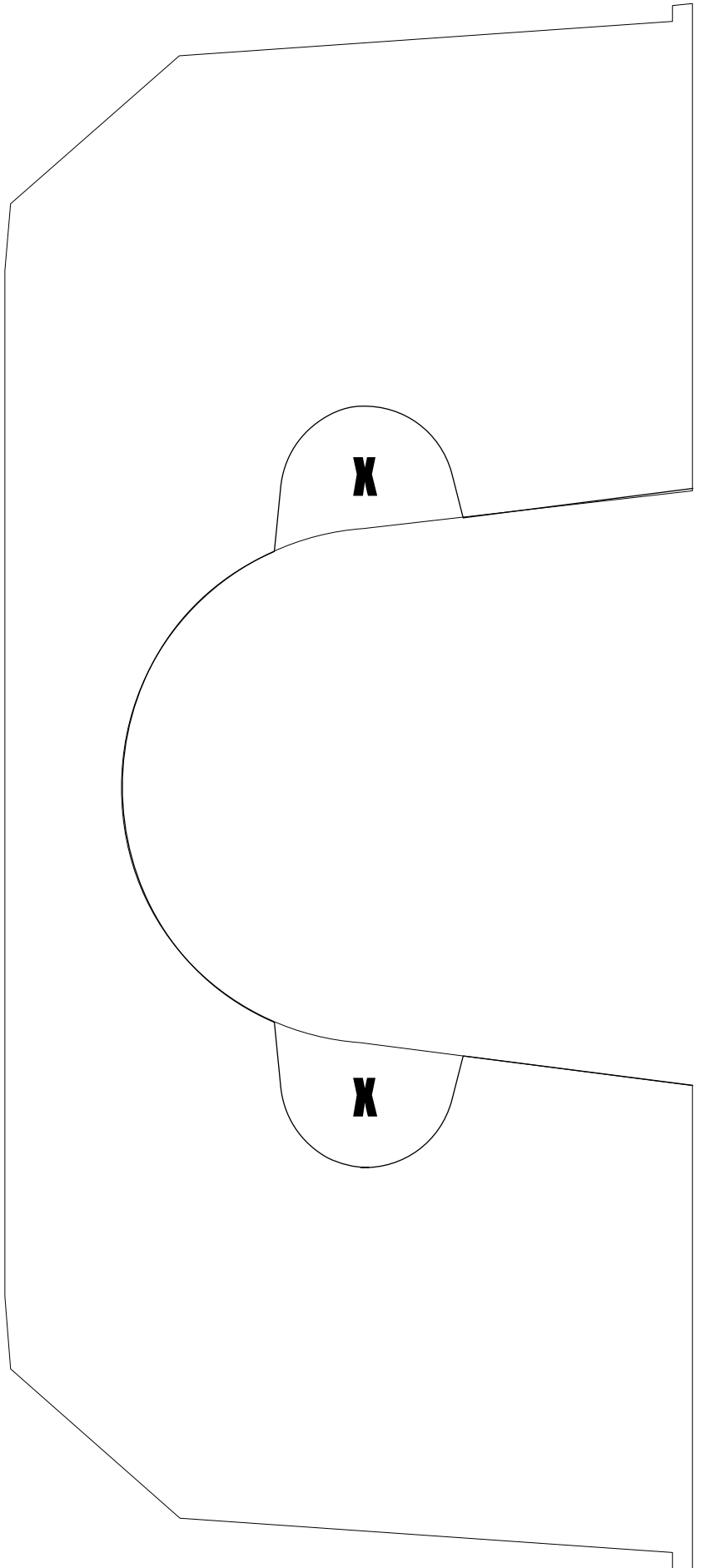
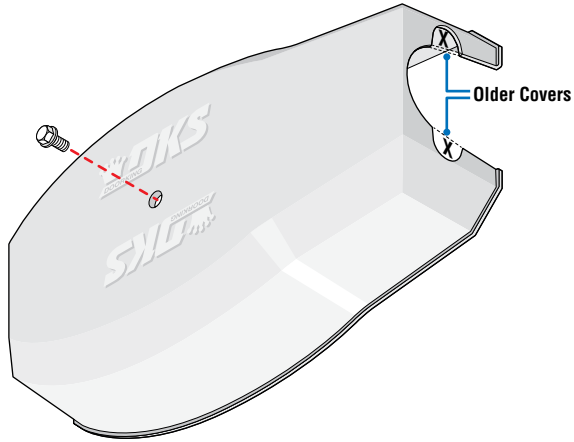
## 1601 Standard Bracket



Make sure ANY unused wires are properly terminated and do NOT have exposed bare wires or metal connectors that could cause the operator to malfunction.

# Older Arm Cover

Older arm cover will need to have the reverse edge cut out of the existing cover. Only one side of the cover will need to be cut out depending on which side of the operator the arm is mounted on. Use this template as a guide to remove material from the cover.



# 14 FT 2-PIECE OCTAGON ARM ASSEMBLY

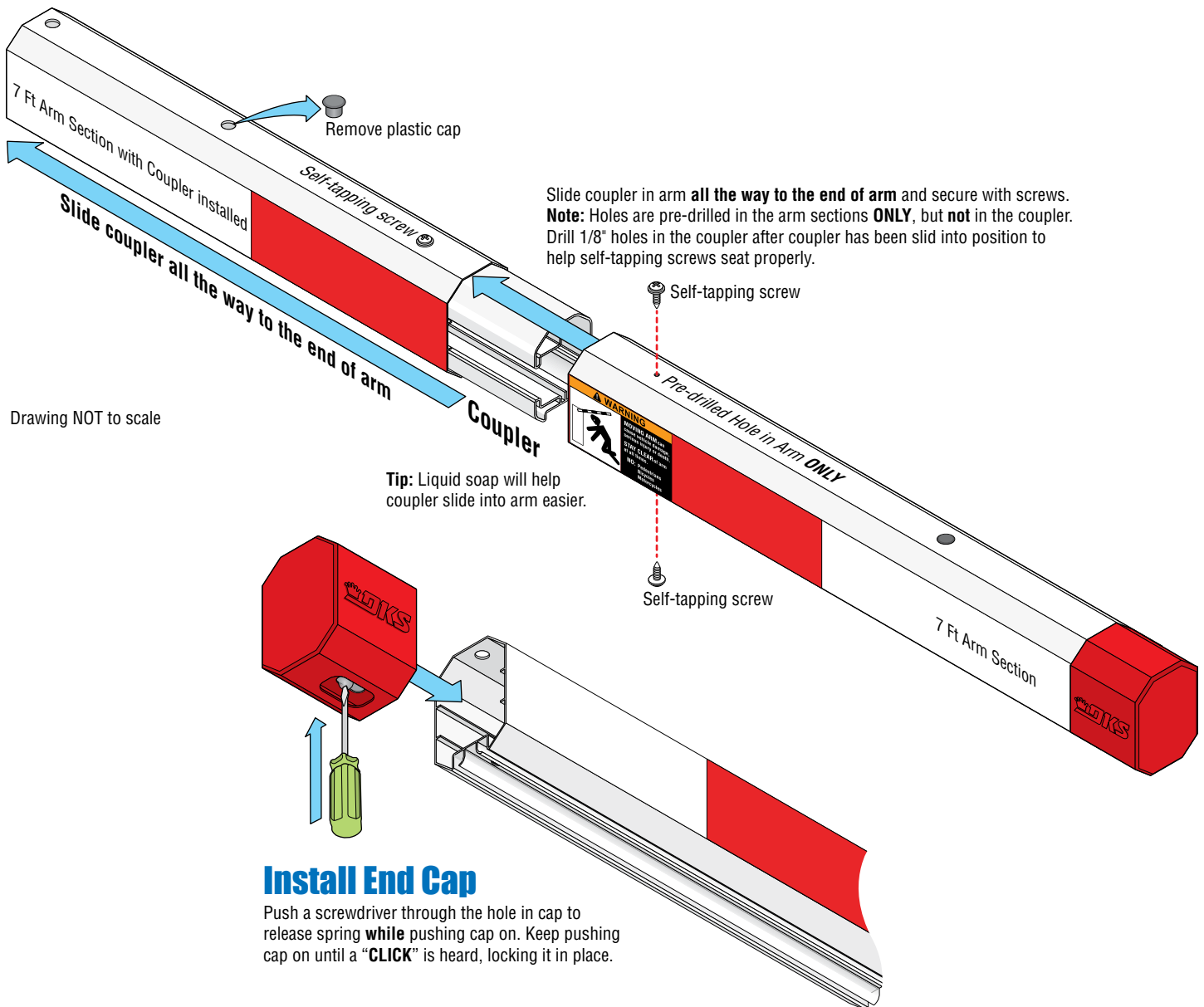
DoorKing Part Number

**1601-567**

14 Ft 2-Piece Octagon Arm Kit

This kit is designed for use on a 1601 or 1603 barrier gate operators **ONLY**. It has 2-7 ft arm sections that assemble into a 14 ft arm.

## Assemble 2-Piece Arm



Drawing NOT to scale

# REVERSE EDGE / RED GREEN LED INSTALLATION

DoorKing Part Numbers

**8080-080**

Reverse Edge

**8080-096**

Reverse Edge + Red/Green LED

This kit is designed to install on a 14 ft aluminum **octagon arm** for a 1601 barrier gate operator or a 1603 auto spikes operator. It **CANNOT** be used with a 1602 operator.

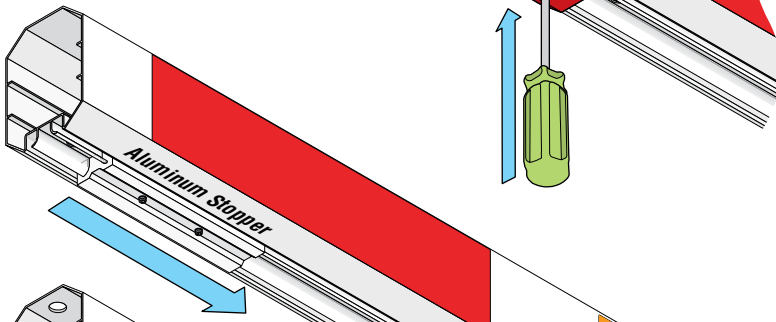
**Note:** DO NOT operate arm with a malfunctioning reverse edge.

## Installation

### 1 Remove End Cap

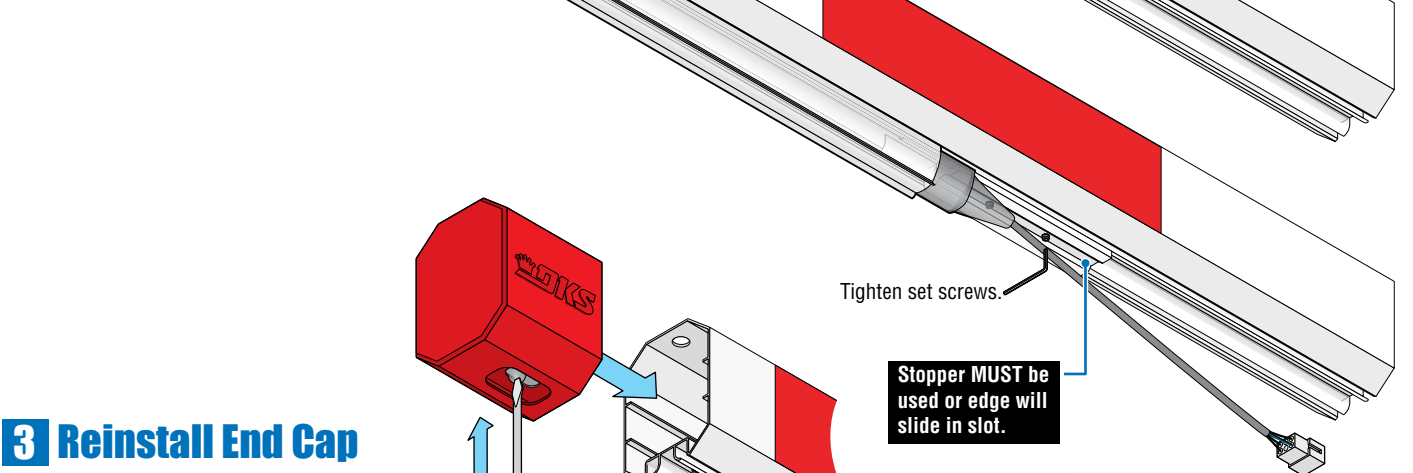
Push a screwdriver through hole in bottom of end cap to release spring **while** pulling cap off.

### 2 Slide on Stopper



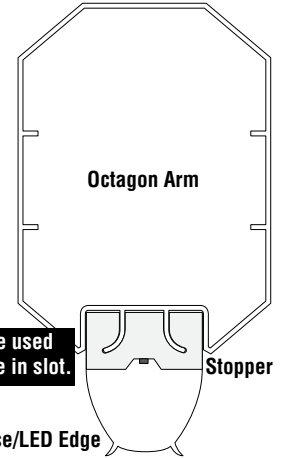
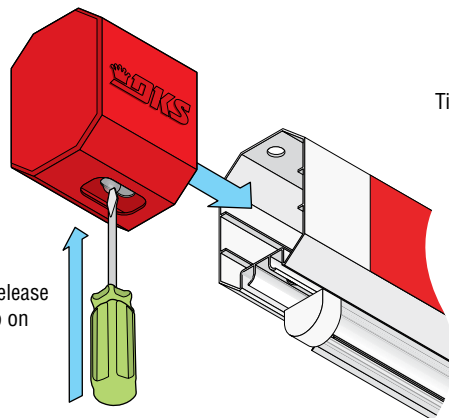
### 3 Slide on Edge

Tip: Liquid soap will help reverse edge slide on easier.



### 3 Reinstall End Cap

Push a screwdriver through the hole in cap to release spring **while** pushing cap on. Keep pushing cap on until a "**CLICK**" is heard which locks it in place.



Stopper **MUST** be used or edge will slide in slot.

Reverse/LED Edge

Cover

Stopper

Reverse/LED Edge

Tighten set screws.

Stopper **MUST** be used or edge will slide in slot.

**DKS**  
DOOR KING

120 S. Glasgow Avenue  
Inglewood, California 90301 U.S.A.

# RUBBER BUMPER INSTALLATION

DoorKing Part Number

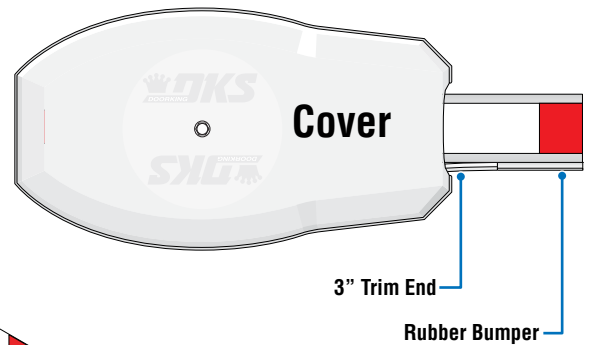
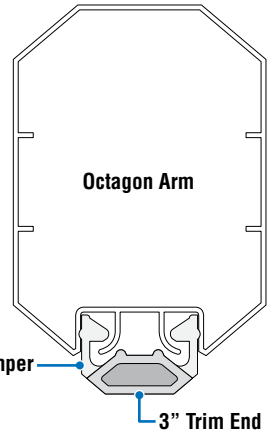
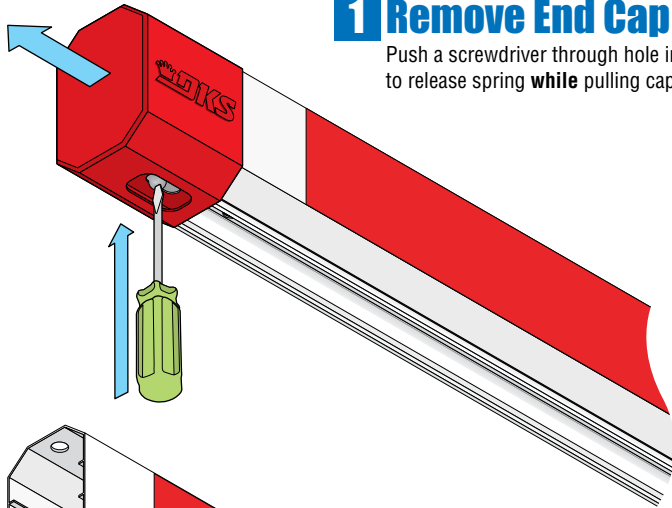
**8080-089**

This rubber bumper is designed to install on a 14 ft aluminum **octagon arm** (not included) for a 1601 barrier gate operator or a 1603 auto spikes operator. It **CANNOT** be used with a 1602 operator.

## Installation

### 1 Remove End Cap

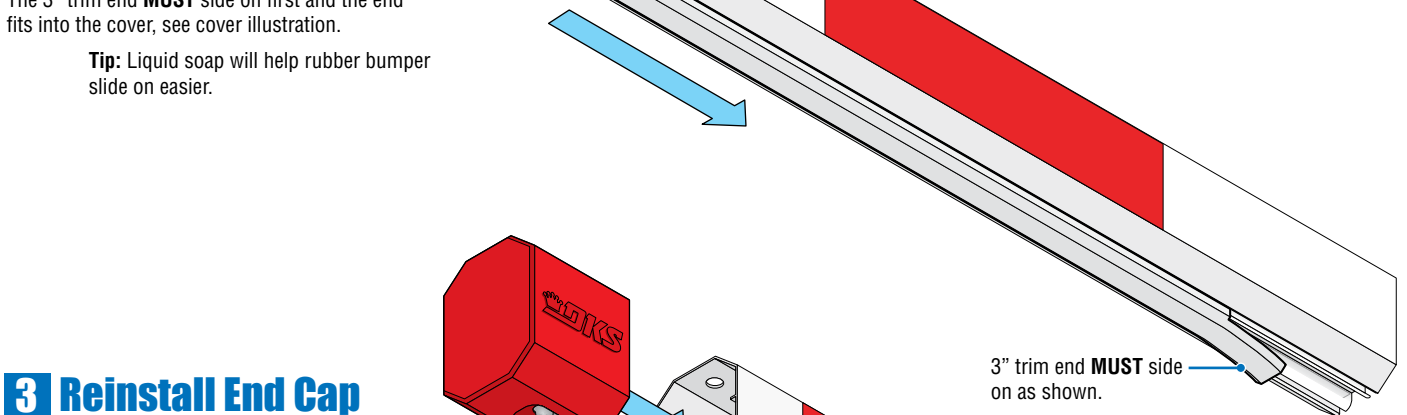
Push a screwdriver through hole in bottom of end cap to release spring **while** pulling cap off.



### 2 Slide on Rubber Bumper

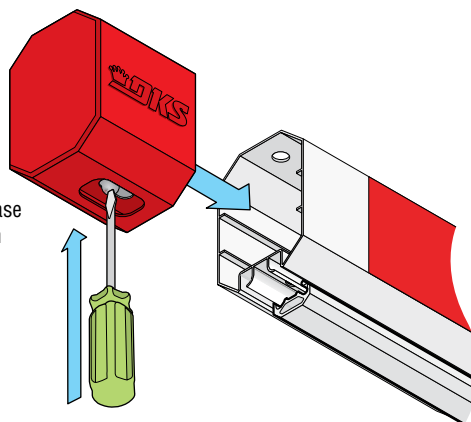
The 3" trim end **MUST** side on first and the end fits into the cover, see cover illustration.

**Tip:** Liquid soap will help rubber bumper slide on easier.



### 3 Reinstall End Cap

Push a screwdriver through the hole in cap to release spring **while** pushing cap on. Keep pushing cap on until a "CLICK" is heard which locks it in place.



3" trim end **MUST** side on as shown.