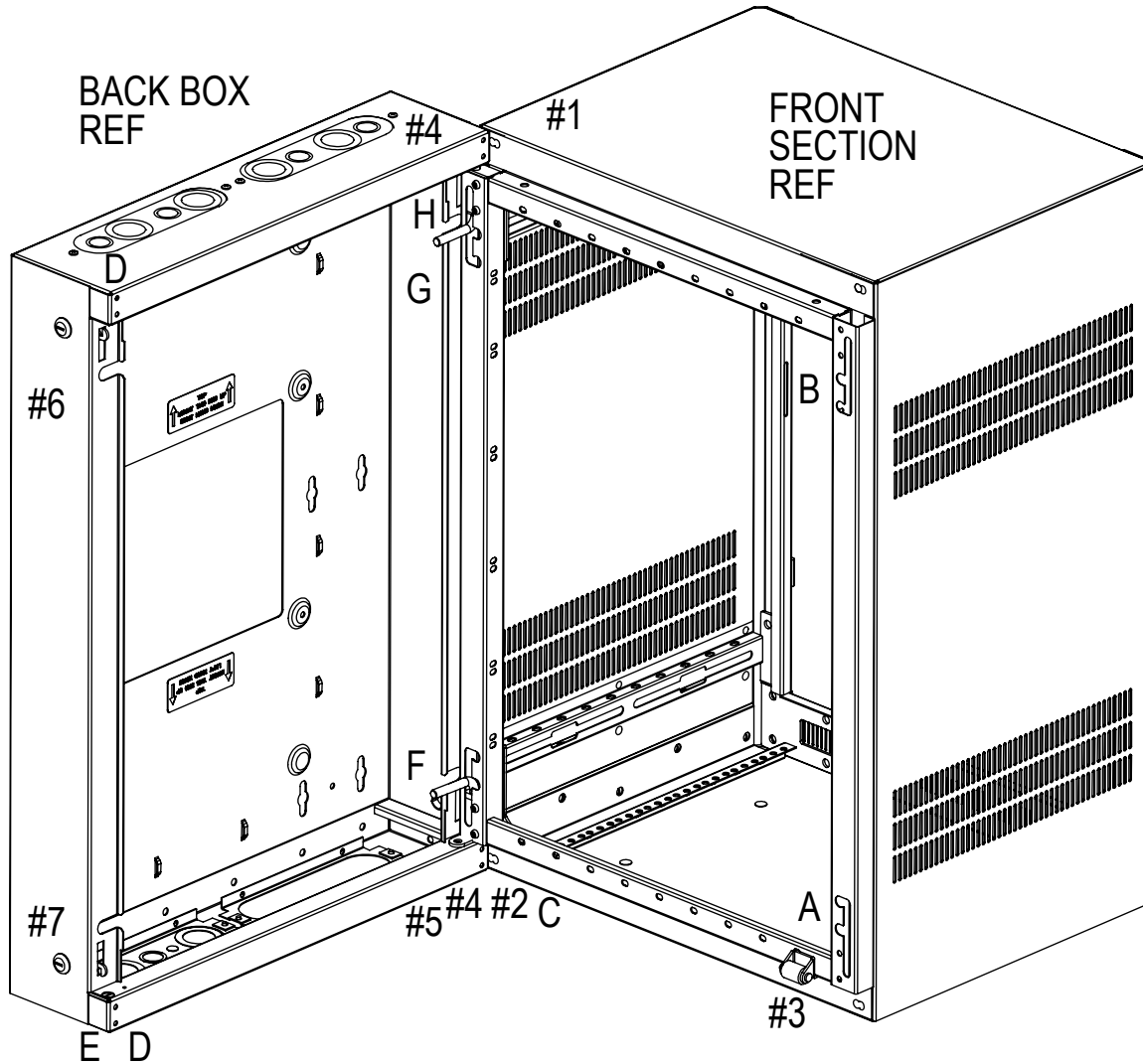


WALL RACKS LWR SERIES
INSTALL / CHANGE OVER SHEET



CHANGEOVER INSTRUCTIONS
FROM R/H TO L/H SWING WHEN
BACKBOX IS MOUNTED ON THE WALL

FRONT SECTION CHANGES:
MOVE HINGE ASSY #1 TO "F" CUT A
MOVE HINGE ASSY #2 TO "F" CUT B
MOVE ROLLER ASSY #3 TO HOLE C

BACK BOX CHANGES:
MOVE 2 PIN RECEIVERS #4 TO HOLES D
MOVE BUSHING PLATE #5 TO HOLE E
MOVE LOCK #6 TO HOLE F
MOVE LOCK #7 TO HOLE G

CHANGEOVER INSTRUCTIONS
FROM R/H TO L/H SWING WHEN
BACKBOX IS NOT ON THE WALL

FRONT SECTION CHANGES:
MOVE HINGE ASSY #1 TO "F" CUT A
MOVE HINGE ASSY #2 TO "F" CUT B
MOVE ROLLER ASSY #3 TO HOLE C

BACK BOX CHANGES:
INVERT BACKBOX
MOVE BUSHING PLATE #5 TO HOLE H

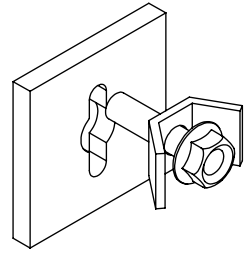
WALL RACK LWR SERIES INSTALL / CHANGE OVER SHEET

LWR SERIES

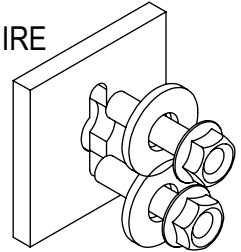
MOUNTING SLOTS PER MODEL LOAD PER MODEL

UNIT	# OF SLOTS	LOAD PER MODEL
7	4	125
10	4	150
12	4	150
16	6	200
21	6	250
24	6	300
35	8	300

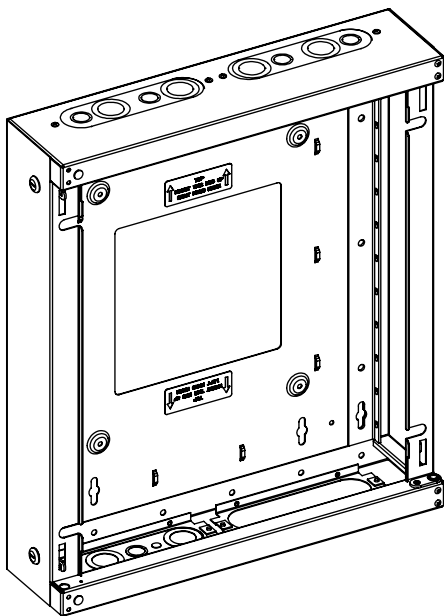
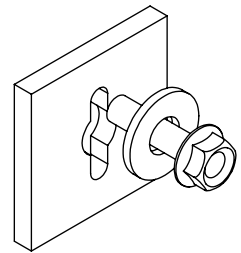
CONCRETE BLOCK INSTALLATION
USE 3/8 TOGGLE BOLT WITH WASHER
IN TOP PART OF EACH KEYHOLE
SLOT IN REAR OF UNIT



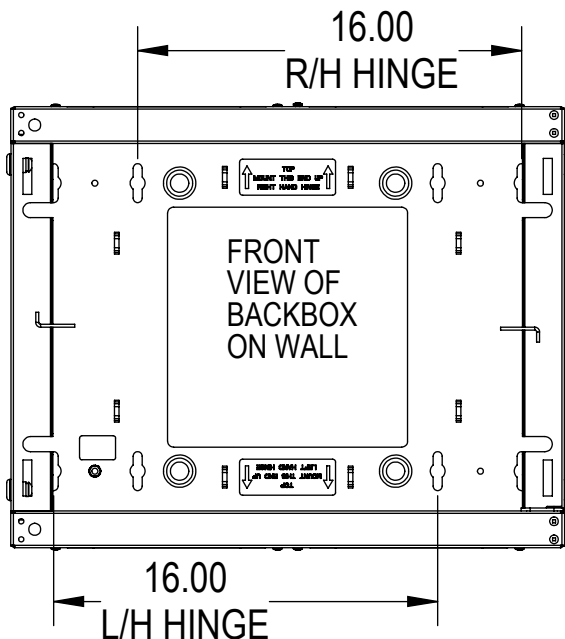
STEEL STUD INSTALLATION
USE #10 SHEET METAL SCREWS AND WASHERS
IN TOP PART OF EACH KEYHOLE SLOT IN
UNIT. HINGE SIDE KEYHOLE SLOTS REQUIRE
2 FASTENERS EACH.



WOOD STUD INSTALLATION
USE 5/16 X 2" LAG BLOT WITH WASHER
IN EACH KEYHOLE SLOT IN REAR
OF UNIT



R/H SWING REF
HINGE SIDE
MUST BE ANCHORED
THROUGH REINFORCED
AREA AS SHOWN.



1. "The equipment shall be installed or serviced by trained service personnel in accordance with the applicable requirements of the National Electrical Code, ANSI/NFPA 70 or Canadian Electrical Code and the applicable sections of ANSI C2, the National Electrical Safety Code. The instruction shall not result in the risk of fire, electric shock, or injury to person".

2. "Ambient Temperature- LOWELL racks maximum specified operating ambient of 50 °C so that the installer is able to determine acceptability of use of Accessories and components in the operating state".

ALL FASTENING AND ANCHORING METHODS TO BE SPECIFIED BY SITE ENGINEERS / INSPECTOR AS REQUIRED