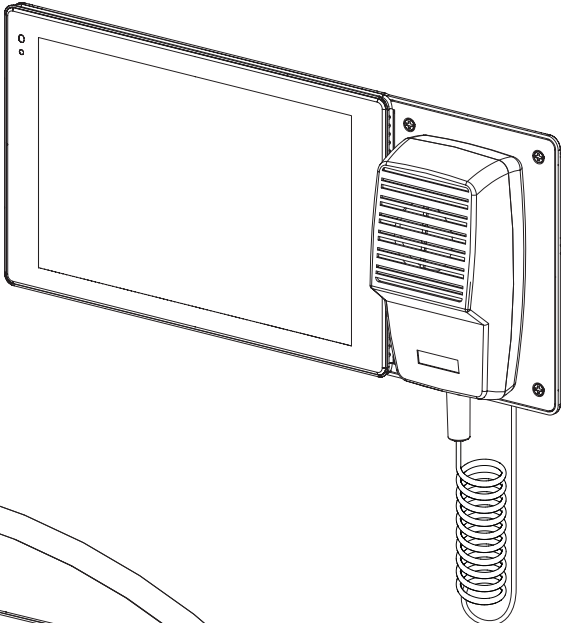
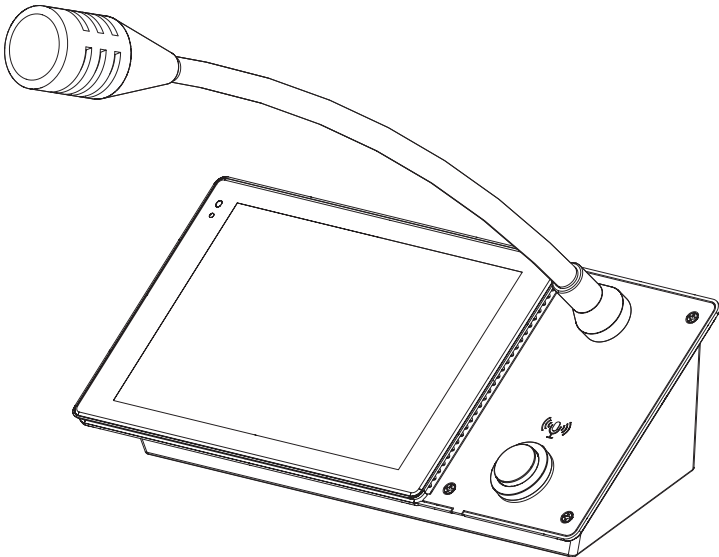


## PS-TSCG3 Series Networked Page Stations

### PS-TSCG3-H (Handheld)



### PS-TSCG3-G (Gooseneck)



## EXPLANATION OF TERMS AND SYMBOLS

The term "**WARNING!**" indicates instructions regarding personal safety. If the instructions are not followed the result may be bodily injury or death.

The term "**CAUTION!**" indicates instructions regarding possible damage to physical equipment. If these instructions are not followed, it may result in damage to the equipment that may not be covered under the warranty.

The term "**IMPORTANT!**" indicates instructions or information that are vital to the successful completion of the procedure.

The term "**NOTE**" is used to indicate additional useful information.



The lightning flash with arrowhead symbol in a triangle alerts the user to the presence of uninsulated dangerous voltage within the product's enclosure that may constitute a risk of electric shock to humans.



The exclamation point within a triangle alerts the user to important safety, operating, and maintenance instructions in this manual.



### IMPORTANT SAFETY INSTRUCTIONS



TO PREVENT FIRE OR ELECTRIC SHOCK, DO NOT EXPOSE THIS EQUIPMENT TO RAIN OR MOISTURE.

1. Read, follow, and keep these instructions.
2. Heed all warnings.
3. Do not use this apparatus near water.
4. Clean only with a dry cloth.
5. Do not block any ventilation opening. Install in accordance with the manufacturer's instructions.
6. Do not install near any heat sources such as radiators, heat registers, stoves, or other apparatus (including amplifiers) that produce heat.
7. Only use attachments/accessories specified by the manufacturer.
8. Refer all servicing to qualified service personnel.
9. Adhere to all applicable, local codes.
10. Consult a licensed, professional engineer when any doubt or questions arise regarding a physical equipment installation.

## Maintenance and Repair



**WARNING!:** Advanced technology, e.g., the use of modern materials and powerful electronics, requires specially adapted maintenance and repair methods. To avoid a danger of subsequent damage to the apparatus, injuries to persons and/or the creation of additional safety hazards, all maintenance or repair work on the apparatus should be performed only by a QSC authorized service station or an authorized QSC International Distributor. QSC is not responsible for any injury, harm or related damages arising from any failure of the customer, owner or user of the apparatus to facilitate those repairs.



**WARNING!:** PS-TSCG3 Series products are designed for indoor installation only.

## Environmental

- **Expected Product Life Cycle:** 10 years
- **Storage Temperature Range:** -20°C to +70°C (-4°F to 158°F)
- **Storage Humidity Range:** 5% to 85% RH non-condensing
- **Operating Temperature Range:** 0°C to 50°C (32°F to 122°F)
- **Operating Humidity Range:** 5% to 85% RH non-condensing

# Environmental Compliance

Q-SYS complies with all applicable environmental regulations. This includes (but is not limited to) global environmental laws, such as EU WEEE Directive (2012/19/EU), China RoHS, Korean RoHS, U.S. Federal and State Environmental Laws and various resource recycling promotion laws around the world. For more information, visit:

<https://www.qsys.com/about-us/green-statement/>

## FCC Statement

Q-SYS PS-TSCG3 Series products have been tested and found to comply with the limits for a Class A digital device, pursuant to part 15 of the FCC Rules.

These limits are designed to provide reasonable protection against harmful interference when the equipment is operated in a commercial environment. This equipment generates, uses, and can radiate radio frequency energy. If not installed and used in accordance with the instruction manual, it may cause harmful interference to radio communications. Operation of this equipment in a residential area is likely to cause harmful interference in which case the user will be required to correct the interference at his own expense.

## RoHS Statements

The QSC Q-SYS PS-TSCG3 Series products are in compliance with European RoHS Directive.

The QSC Q-SYS PS-TSCG3 Series products are in compliance with "China RoHS" directives. The following table is provided for product use in China and its territories.



EFUP assessment is 10 years. This period is based on the shortest component or subassembly EFUP declaration used in the PS-TSCG3 Series product designs.

QSC Q-SYS PS-TSCG3 Series						
部件名称 (Part Name)	有害物质 (Hazardous Substances)					
	铅 (Pb)	汞 (Hg)	镉 (Cd)	六价铬 (Cr(vi))	多溴联苯 (PBB)	多溴二苯醚 (PBDE)
电路板组件 (PCB Assemblies)	X	○	○	○	○	○
机壳装配件 (Chassis Assemblies)	X	○	○	○	○	○

本表格依据 SJ/T 11364 的规定编制。

O: 表示该有害物质在该部件所有均质材料中的含量均在 GB/T 26572 规定的限量要求以下。

X: 表示该有害物质至少在该部件的某一均质材料中的含量超出 GB/T 26572 规定的限量要求。

(目前由于技术或经济的原因暂时无法实现替代或减量化。)

This table is prepared following the requirement of SJ/T 11364.

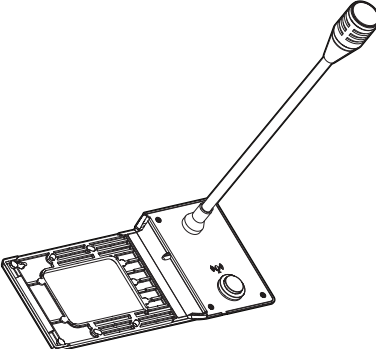
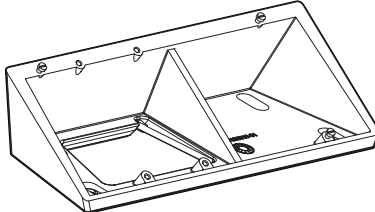
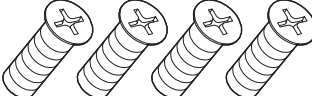




O: Indicates that the concentration of the substance in all homogeneous materials of the part is below the relevant threshold specified in GB/T 26572.

X: Indicates that the concentration of the substance in at least one of all homogeneous materials of the part is above the relevant threshold specified in GB/T 26572.

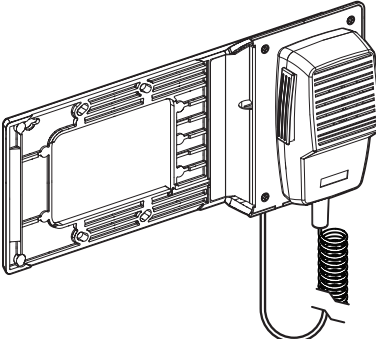




(Replacement and reduction of content cannot be achieved currently because of the technical or economic reason.)

# What's in the Box

## PS-TSCG3-G (Gooseneck)

	<p>(1x) PS-TSCG3-G Paging Station Kit</p>		<p>(1x) PS-DB Desktop Base</p>
	<p>(4x) 6-32 Screws</p>		<p>(1x) Screwdriver</p>
	<p>(1x) Warranty TD-000453</p>		<p>(1x) Safety Information TD-001707</p>
			<p>(1x) Quick Start Guide TD-001708</p>

## PS-TSCG3-H (Handheld)

	<p>(1x) PS-TSCG3-H Paging Station Kit</p>		<p>(1x) Screwdriver</p>
	<p>(1x) Warranty TD-000453</p>		<p>(1x) Safety Information TD-001707</p>
			<p>(1x) Quick Start Guide TD-001708</p>

## Introduction

The PS-TSCG3 paging stations offer an easy and convenient way to integrate the Q-SYS TSC-70-G3 7-inch touchscreen into paging applications. Please note that the TSC-70-G3 touchscreen is required, but is sold separately. The PS-TSCG3 paging station is only compatible with the TSC-70-G3 touchscreen, and cannot be used with other touchscreen sizes in the TSC product line.

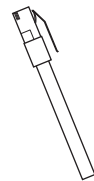
Each PS-TSCG3 paging station kit includes a sidecar bracket with integrated paging microphone and USB-C cable. The PS-TSCG3-H comes with a handheld push-to-talk microphone connected via a helix cable, whereas the PS-TSCG3-G comes with a gooseneck microphone, a push-to-talk button, and a desktop base.

**TIP:** The Desktop Base (PS-DB) can be purchased separately for use with the PS-TSCG3-H. It is also possible to replace the Handheld Microphone with replacement part number PS-HH.

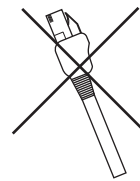
The TSC-70-G3 touchscreen installs easily into both variants of the paging station kit, connecting to the microphone and push-to-talk button via the included USB-C connection. A network connection to the Q-SYS network allows the touchscreen to transmit the paging audio to the core for further processing, and powers the entire solution using Power over Ethernet (PoE). The TSC-70-G3 touchscreen serves as the primary user interface for the paging system, allowing for the creation of a fully customized user control interface (UCI) to operate and manage the paging system, as well as to optionally control other non-paging elements of the system simultaneously, if needed.

## Specifications

- Dimensioned drawings and product specifications available online at [www.qsys.com](http://www.qsys.com).
- QSC recommends using a LAN cable without a moulded strain relief boot. Refer to the Hardware User Manual for other cable requirements.



Yes



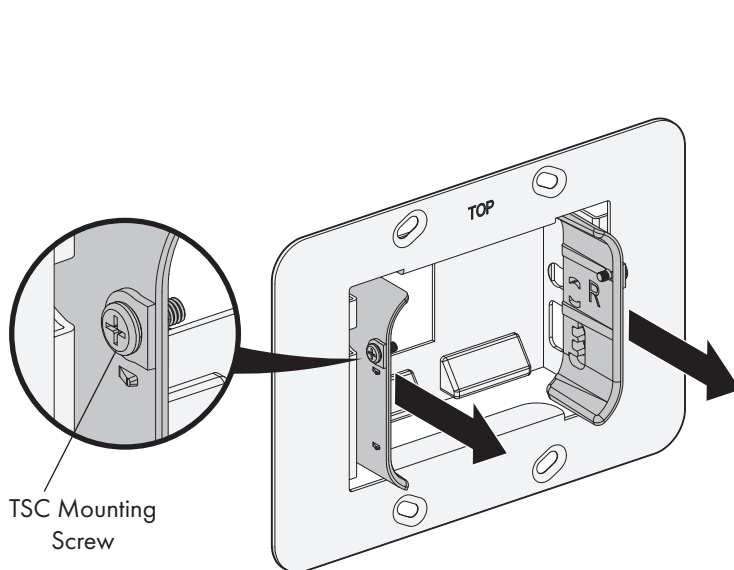
No



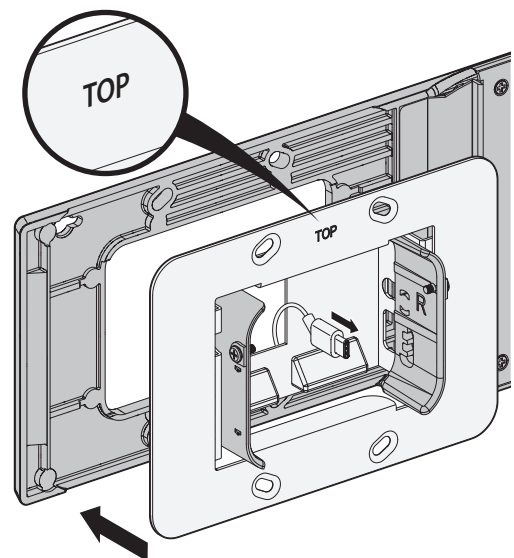
**CAUTION!:** Do not attempt to assemble or disassemble the page station while the touch screen controller is attached.

## Pre-Installation (PS-TSCG3-H and PS-TSCG3-G)

1. Pull out plastic mounting wedges on TSC Wall Mount Bracket. (See Figure 1)
2. Press TSC Wall Mount Bracket into Page Station Bracket. (See Figure 2)



— Figure 1 —



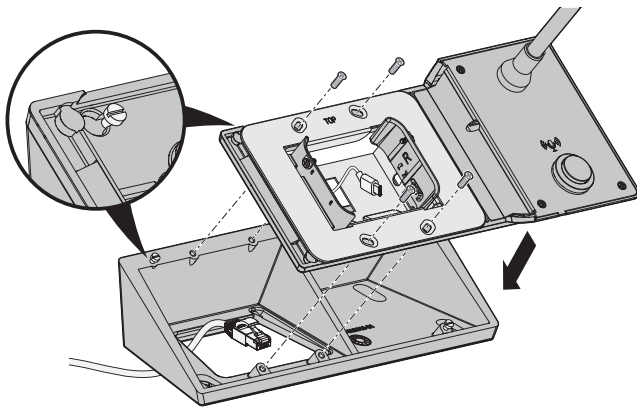
— Figure 2 —

# Installation

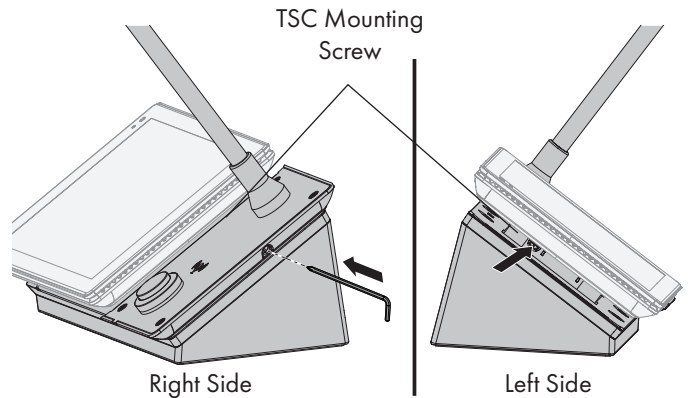
## PS-TSCG3-G (Gooseneck)

1. Mount the Page Station Bracket to the Desktop Base. (See Figure 3)
2. Make proper connections. Route ethernet cable through mouse hole in the back of the Page Station Bracket. Ensure the flag on the USB-C cable is oriented as shown. (See Figure 4)
3. Press the TSC into the wedges of the Wall Mount Bracket. (See Figure 5)
4. Secure the TSC to the Wall Mount Bracket. (See Figure 6)
5. Fully press the TSC into the Page Station Bracket. (See Figure 7)

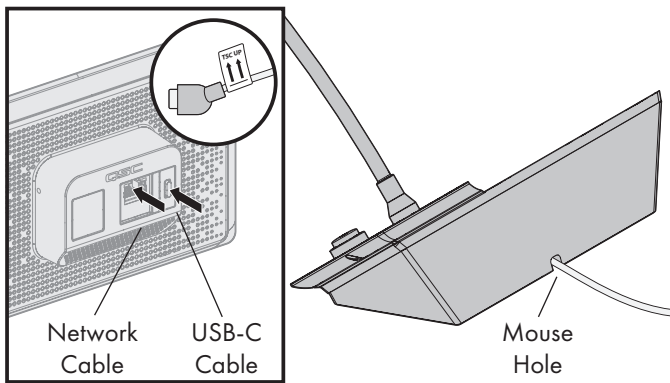
**IMPORTANT!** Avoid pinching cables when pressing TSC into the Page Station Bracket



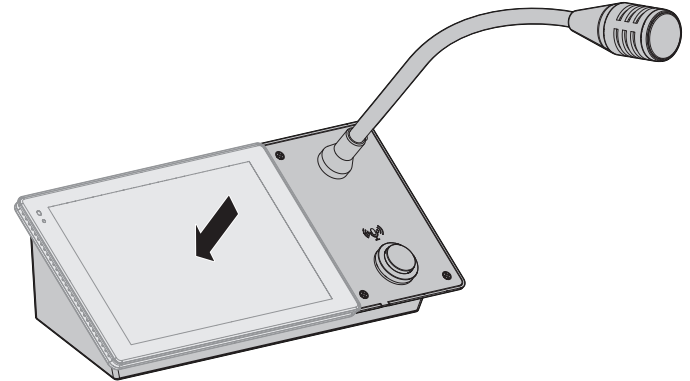
— Figure 3 —



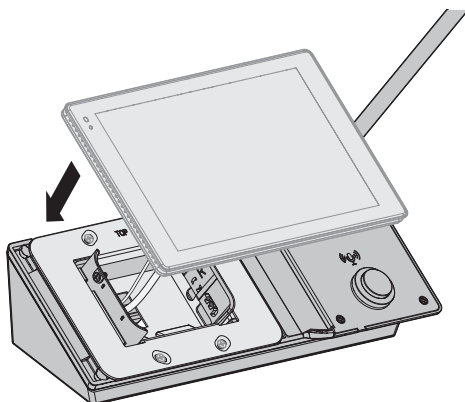
— Figure 6 —



— Figure 4 —



— Figure 7 —



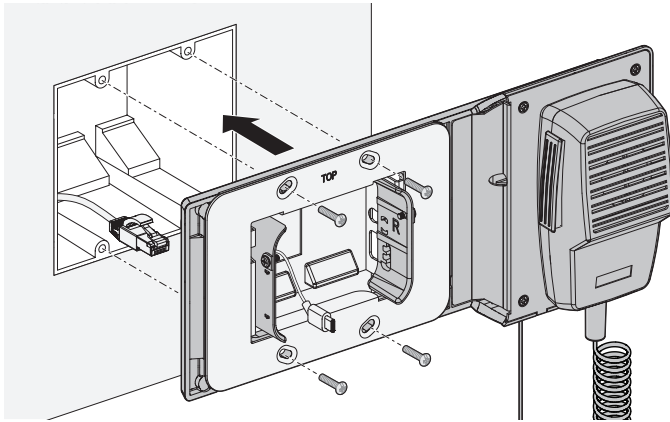
— Figure 5 —

## PS-TSCG3-H (Handheld)

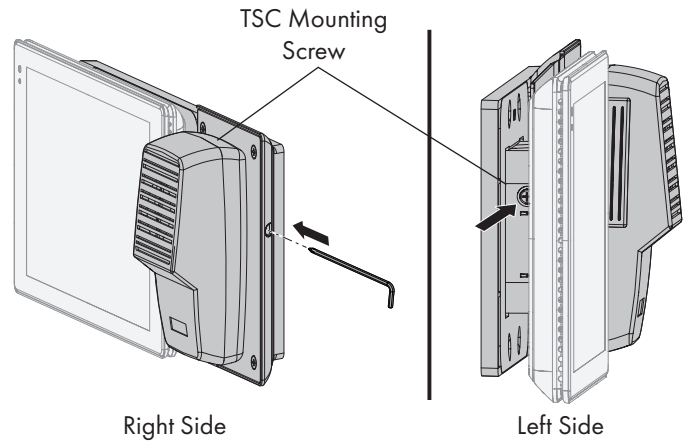
1. Mount the Page Station Bracket to the Electrical Box. (See Figure 8)
2. Make proper connections. Ensure the flag on the USB-C cable is oriented as shown. Press the TSC into the wedges of the Wall Mount Bracket. (See Figure 9)
3. Secure the TSC to the Wall Mount Bracket. (See Figure 10)
4. Fully press the TSC into the Page Station Bracket. (See Figure 11)

**IMPORTANT!** Avoid pinching cables when pressing TSC into the Page Station Bracket

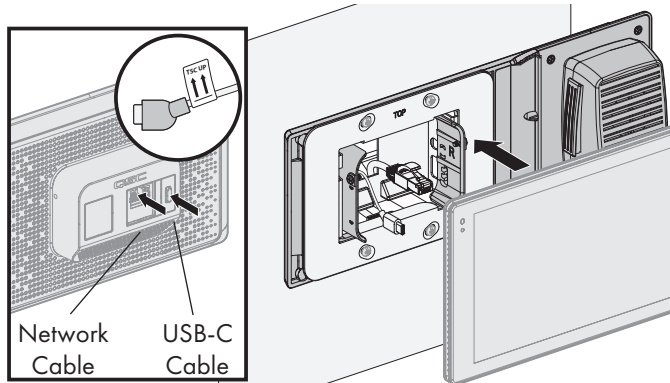
5. Remove protective plastic film from the Q-SYS logo on the Page Station Bracket. (See Figure 11)



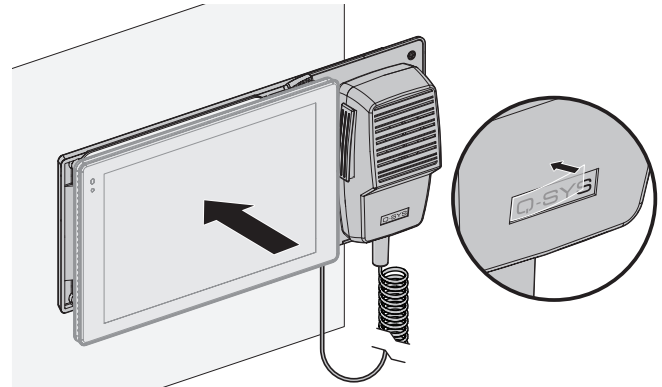
— Figure 8 —



— Figure 10 —



— Figure 9 —

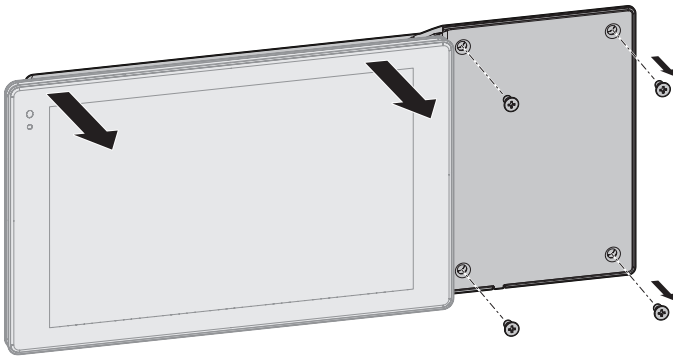


— Figure 11 —

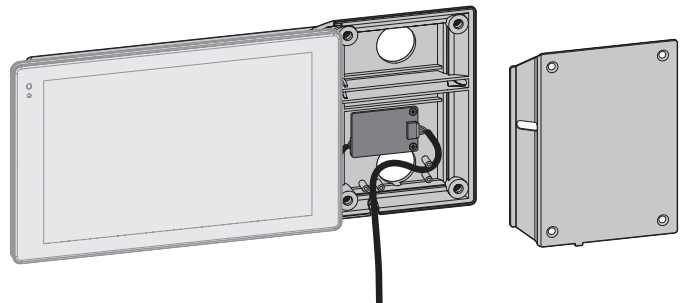
## Replacing the PS-HH Handheld Microphone

**NOTE:** You do not have to remove the Page Station from the wall in order to replace the Handheld Microphone.

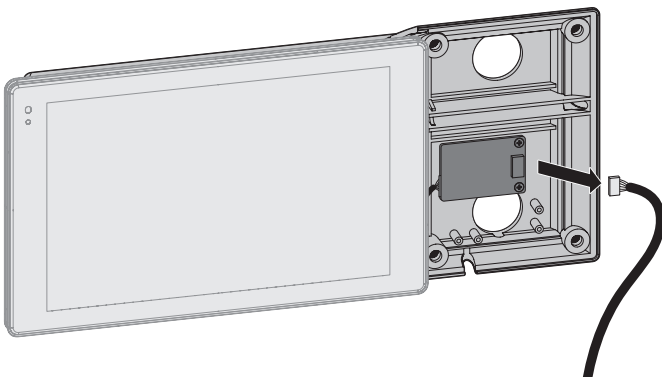
1. Carefully pull the TSC out so that the inner bracket locks into its outward position and unscrew the four (4) screws that hold the faceplate onto the Page Station Bracket. (See Figure 12)
2. Remove faceplate from the Page Station Bracket. (See Figure 13)
3. Carefully detach end of microphone cable from the PCB connector and remove cable. (See Figure 14)
4. Route the cable of new microphone as shown. Reconnect to PCB, ensuring there is no strain on the wires coming out of the connector. Be sure to fully seat the connector into the PCB header. (See Figure 15)
5. Make sure the cable lays flat inside the housing and exits through the bottom notch below the top edge of the housing.
6. Reinstall the faceplate using the four (4) screws previously removed in Step 1.
7. Fully press the TSC into the Page Station Bracket.



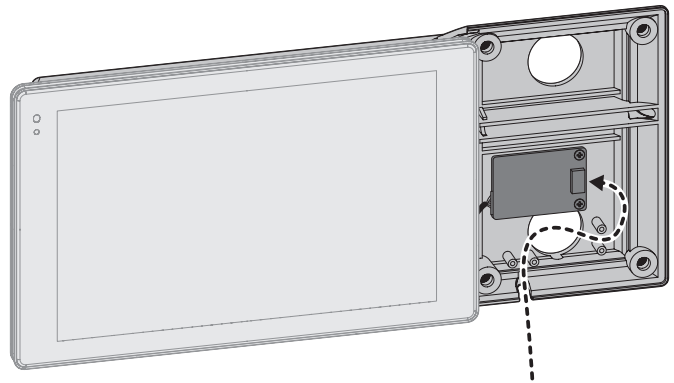
— Figure 12 —



— Figure 13 —



— Figure 14 —



— Figure 15 —





## Knowledge Base

Find answers to common questions, troubleshooting information, tips, and application notes. Link to support policies and resources, including Q-SYS Help, software and firmware, product documents, and training videos. Create support cases.  
[support.qsys.com](https://support.qsys.com)

## Customer Support

Refer to the Contact Us page on the Q-SYS website for Technical Support and Customer Care, including their phone numbers and hours of operation. [qsys.com/contact-us/](https://qsys.com/contact-us/)

## Warranty

For a copy of the QSC Limited Warranty, go to:  
[qsys.com/support/warranty-statement/](https://qsys.com/support/warranty-statement/)