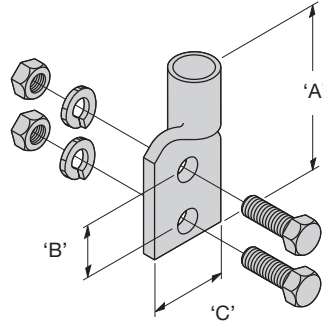


Grounding Accessories

Compression Connector Lug

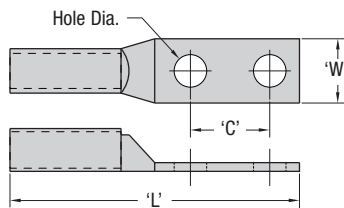
- Use for connection of ground wire to grounding bus.
- Includes: silicon bronze hardware.
- See SBTMGB20 or SBTGB for bus bar.
- Additional sizes available.
- Material: Copper alloy



Part Number	Wire Size	'A'		'B'		'C'		Bolt Size	Weight	
		in.	(mm)	in.	(mm)	in.	(mm)		Lbs.	(kg)
SB47901	#8	1 ¹¹ / ₁₆ "	(43)	5/8"	(16)	1 ³ / ₃₂ "	(10)	#10-24	0.03	(0.01)
SB47902	#6	1 ¹³ / ₁₆ "	(46)	5/8"	(16)	7/16"	(11)	1/4"-20	0.05	(0.02)
SB47903	#4	1 ²⁹ / ₃₂ "	(48)	5/8"	(16)	9/16"	(14)	1/4"-20	0.06	(0.03)
SB47904	#2	2"	(51)	5/8"	(16)	1 ⁹ / ₃₂ "	(15)	1/4"-20	0.08	(0.03)
SB47905	#1	2 ¹ / ₁₆ "	(52)	5/8"	(16)	4 ⁵ / ₆₄ "	(18)	1/4"-20	0.10	(0.04)
SB47906	1/0	2 ³ / ₄ "	(70)	1"	(25)	3/4"	(19)	3/8"-16	0.20	(0.09)
SB47907	2/0	3 ¹³ / ₁₆ "	(97)	1 ³ / ₄ "	(44)	1 ³ / ₁₆ "	(20)	1/2"-13	0.23	(0.10)

Compression Lugs (Long Barrel)

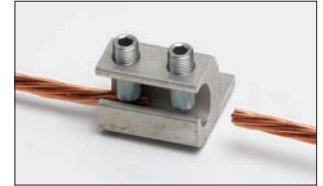
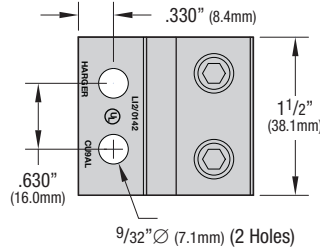
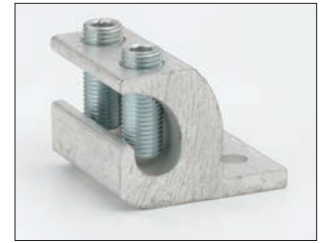
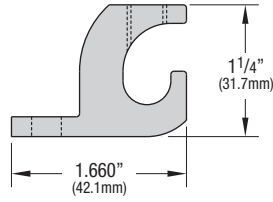
- Use for connection of electric grounding wire to grounding bus
- Sold in package of 10 pcs.
- Material: Tinned Copper



Part Number	Lug Size & # of Holes	Hole Dia.		'W'		'L'		'C'		Wt./Pkg.	
		in.	(mm)	in.	(mm)	in.	(mm)	in.	(mm)	lbs.	(kg)
SBCL 1	2/0 - 2 Hole	1 ³ / ₃₂ "	(10.3)	1 ³ / ₁₆ "	(20.6)	3 ²¹ / ₃₂ "	(92.8)	1"	(25.4)	6.0	(2.72)
SBCL 2	2/0 - 2 Hole	1 ⁷ / ₃₂ "	(13.5)	1 ³ / ₁₆ "	(20.6)	4 ⁷ / ₈ "	(123.8)	1 ³ / ₄ "	(44.4)	14.0	(6.35)
SBCL 3	3/0 - 2 Hole	9/16"	(14.3)	1 ⁵ / ₁₆ "	(23.8)	3 ³ / ₄ "	(95.2)	1"	(25.4)	20.0	(9.07)
SBCL 4	4/0 - 2 Hole	9/16"	(14.3)	1"	(25.4)	3 ²⁹ / ₃₂ "	(99.2)	1"	(25.4)	20.0	(9.07)

Lay-In Lug

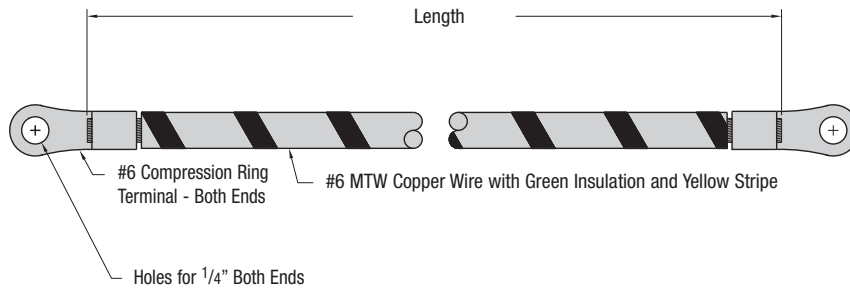
- Used to attach ground wires to racks or cabinets
- Sold in package of 10 pcs.
- Setscrews (2): 3/8"-24 Hex Head Oval Point
- Material: Aluminum - tin plated



Part Number	Lug Size	Wt./Pkg.	
		lbs.	(kg)
SBL1	2/0 - #14AWG	2.40	(1.09)

Unit Bonding Conductor

- Used to bond electronic equipment to vertical or horizontal rack mount busbars
- Sold in packages of 5 with aluminum joint compound
- Material: Copper wire

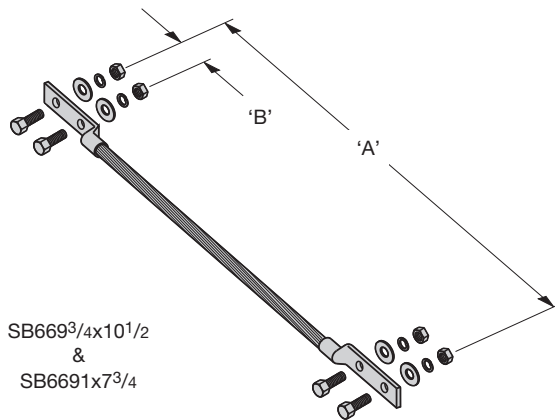
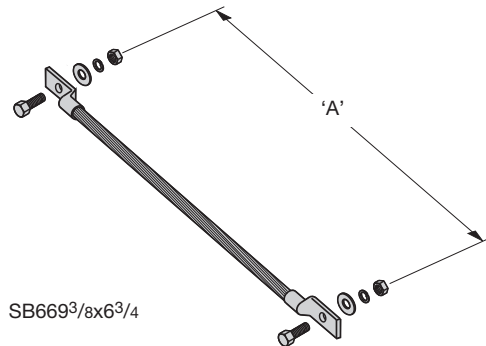


Part Number	Length		Wt./Ea.	
	in.	(mm)	lbs.	(kg)
SBUBC614K	14"	(355)	1.45	(0.66)
SBUBC618K	18"	(457)	1.45	(0.66)
SBUBC632K	32"	(813)	2.54	(1.15)

Grounding Accessories

Grounding Strap

- Use to provide grounding path
- SB669^{3/4}x10^{1/2} and SB6691x7^{3/4} includes: (1) cable with crimped lugs and 1/4"-20 hardware
- SB669^{3/8}x6^{3/4} includes: (1) cable with crimped lugs and 3/8"-16 hardware
- Material: #6 flexible tin plated copper wire



Part Number	'A'		'B'		Wt./Ea.	
	In.	(mm)	In.	(mm)	Lbs.	(kg)
SB669 ^{3/4} x10 ^{1/2}	10 ^{1/2} "	(267)	3/4"	(19)	.36	(0.16)
SB6691x7 ^{3/4}	7 ^{3/4} "	(197)	1"	(25)	.27	(0.12)
SB669 ^{3/8} x6 ^{3/4}	6 ^{3/4} "	(171)	N/A	N/A	.20	(0.09)