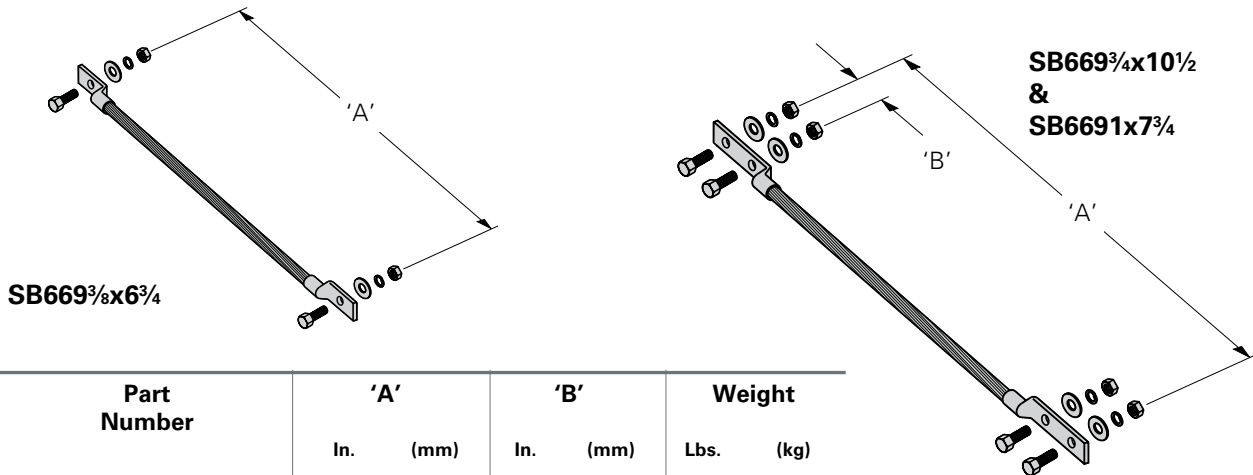


Cable Runway & Accessories

Grounding Strap

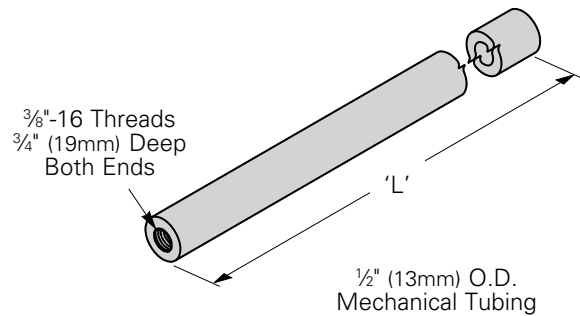
- Use to provide grounding path
- Includes: (1) cable with crimped lugs and hardware
- Material: #6 flexible tin plated copper wire



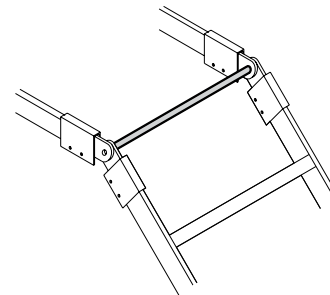
Part Number	'A'		'B'		Weight	
	In.	(mm)	In.	(mm)	Lbs.	(kg)
SB669 ^{3/4} x10 ^{1/2}	10 ^{1/2} "	(267)	3/4"	(19)	.36	(0.16)
SB6691x7 ^{3/4}	7 ^{3/4} "	(197)	1"	(25)	.27	(0.12)
SB669 ^{3/8} x6 ^{3/4}	6 ^{3/4} "	(171)	N/A	N/A	.20	(0.09)

Cable Support Bar

- Use to support cable when using adjustable vertical bend SB2110
- Material: 1/2" (13mm) x 13 Ga. (2.3mm) steel tubing
- Finish ____: Flat black powder coat (FB)
Telco gray powder coat (TG)
Yellow zinc (YZ)



Part Number	'L' Length		Weight	
	In.	(mm)	Lbs.	(kg)
SB16106__	5 ^{7/32} "	(132)	0.24	(0.11)
SB16109__	8 ^{7/32} "	(209)	0.37	(0.17)
SB16112__	11 ^{7/32} "	(285)	0.51	(0.23)
SB16115__	14 ^{7/32} "	(361)	0.64	(0.29)
SB16118__	17 ^{7/32} "	(437)	0.78	(0.35)
SB16120__	19 ^{7/32} "	(494)	0.87	(0.39)
SB16124__	23 ^{7/32} "	(590)	1.05	(0.47)
SB16130__	29 ^{7/32} "	(742)	1.32	(0.60)
SB16136__	35 ^{7/32} "	(894)	1.59	(0.72)



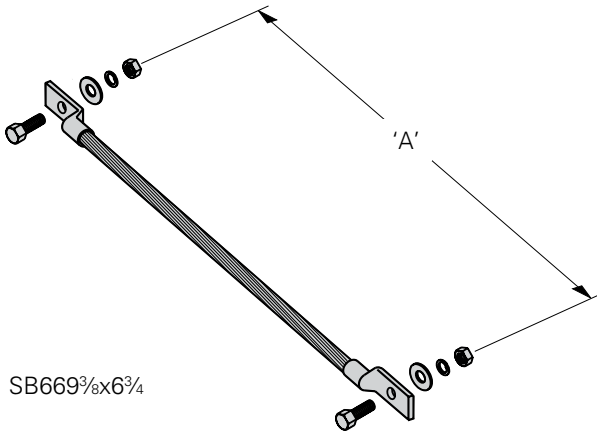
Specify part number and finish when ordering.

Cable runway & accessories

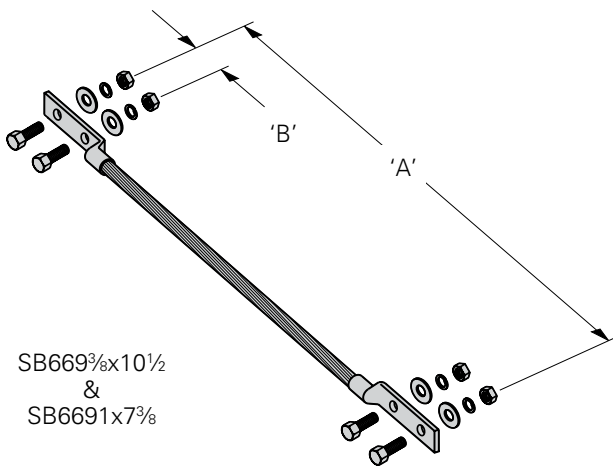
Grounding Accessories

Grounding Strap

- Use to provide grounding path
- SB669 $\frac{3}{4}$ x10 $\frac{1}{2}$ and SB6691x7 $\frac{3}{4}$ includes: (1) cable with crimped lugs and $\frac{1}{4}$ "-20 hardware
- SB669 $\frac{3}{8}$ x6 $\frac{3}{4}$ includes: (1) cable with crimped lugs and $\frac{3}{8}$ "-16 hardware
- Material: #6 flexible tin plated copper wire



SB669 $\frac{3}{8}$ x6 $\frac{3}{4}$



SB669 $\frac{3}{8}$ x10 $\frac{1}{2}$
&
SB6691x7 $\frac{3}{8}$



Part Number	'A'		'B'		Wt./Ea.	
	In.	(mm)	In.	(mm)	Lbs.	(kg)
SB669$\frac{3}{4}$x10$\frac{1}{2}$	10 $\frac{1}{2}$ "	(267)	$\frac{3}{4}$ "	(19)	.36	(0.16)
SB6691x7$\frac{3}{4}$	7 $\frac{3}{4}$ "	(197)	1"	(25)	.27	(0.12)
SB669$\frac{3}{8}$x6$\frac{3}{4}$	6 $\frac{3}{4}$ "	(171)	N/A	(NA)	.20	(0.09)