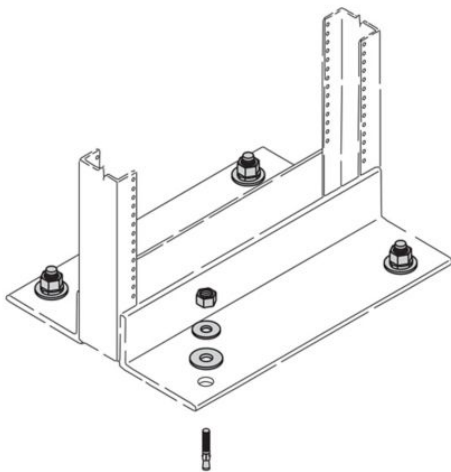


# Eaton SB588AZN

Catalog Number: SB588AZN

Eaton B-Line series open frame racks, Four 3/8"-16 X 2-3/4" wedge anchors and hardware, Clear zinc, Network equipment rack anchor kit



## General specifications

Product Name	Catalog Number
Eaton B-Line series open frame racks	SB588AZN
UPC	Product Length/Depth
799038195399	0.375 in
Product Height	Product Width
2.75 in	0.375 in
Product Weight	Certifications
0.46 lb	Not Applicable

## defaultTaxonomyAttributeLabel

### Finish

Clear zinc

### Material

Steel

### Model

Network equipment rack anchor kit

## Resources

### Brochures

[RCM and RCM+ brochure](#)

### Specifications and datasheets

[Eaton Specification Sheet - SB588AZN](#)



Eaton Corporation plc  
Eaton House  
30 Pembroke Road  
Dublin 4, Ireland  
Eaton.com

© 2024 Eaton. All Rights Reserved.

Eaton is a registered trademark.

All other trademarks are property of their respective owners.



[Eaton.com/socialmedia](https://Eaton.com/socialmedia)