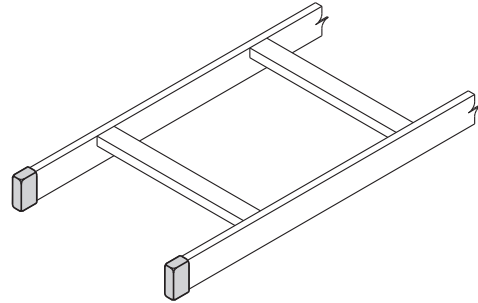
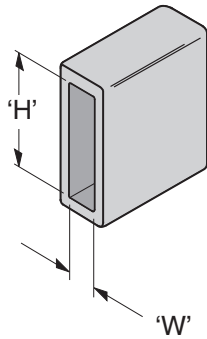
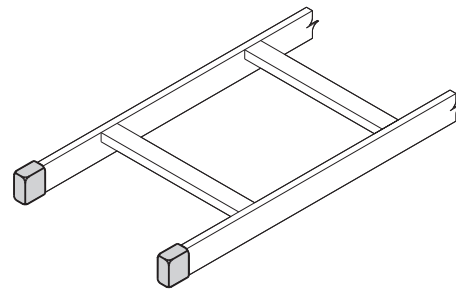


End Cap

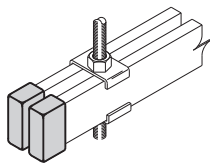
- Use as safety and protective coverings for cable runway stringers, support channel, tubes and bars.
- Meets U.L. 94-V-0 Flame Resistance requirement.
- Sold in quantity of 10 pieces.
- Material: Black Neoprene Rubber



SB-21A



SB21B



SB21

| Part Number | Support Size 'H' x 'W' | | Primary Usage | Weight | |
|--------------|---------------------------|-------------|---------------------------|--------|--------|
| | in. | (mm) | | Lbs. | (kg) |
| SB21 | 2" x 9/16" | (51) x (14) | SB20 or SB22 Support | 0.80 | (0.36) |
| SB21A | 2" x 3/8" | (51) x (9) | SB16 Runway | 0.40 | (0.18) |
| SB21B | 1 1/2" x 3/8" | (38) x (9) | SB15, SB17 or SB18 Runway | 0.30 | (0.13) |



Popular Bee List item