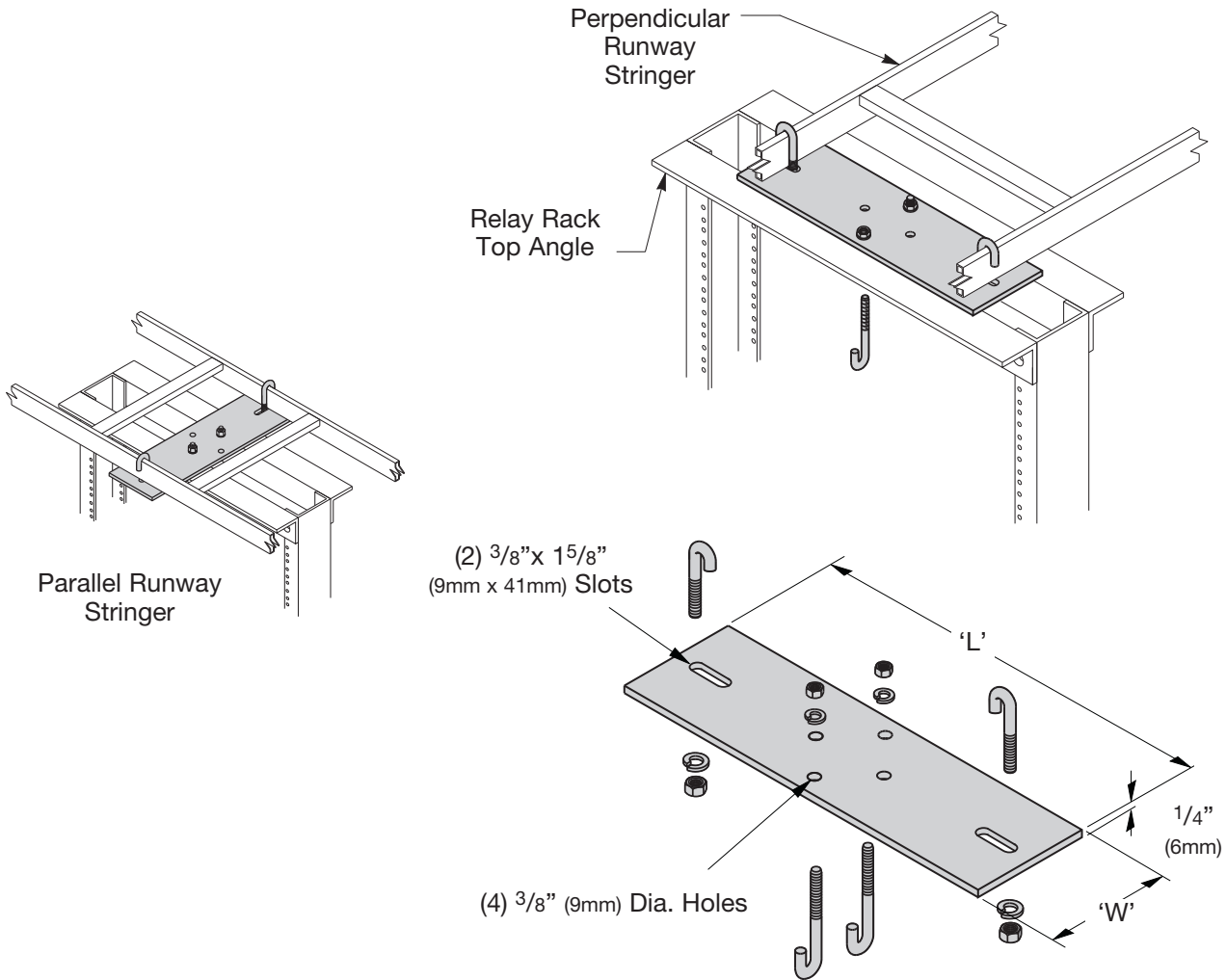


3" Upright Network Equipment Rack Top Plate Runway Support Kit

- Use to secure cable runway to top angles of network equipment rack.
- Accommodates runway in parallel or perpendicular arrangement.
- Includes: (1) mounting plate and (4) "J" bolts with 5/16"-18 hardware.
- Material: ASTM A36 structural steel
- Finish ___: Yellow Zinc (YZ),
Telco Gray Powder Coat (TG), or
Flat Black Powder Coat (FB)
(Other finishes are available upon request)



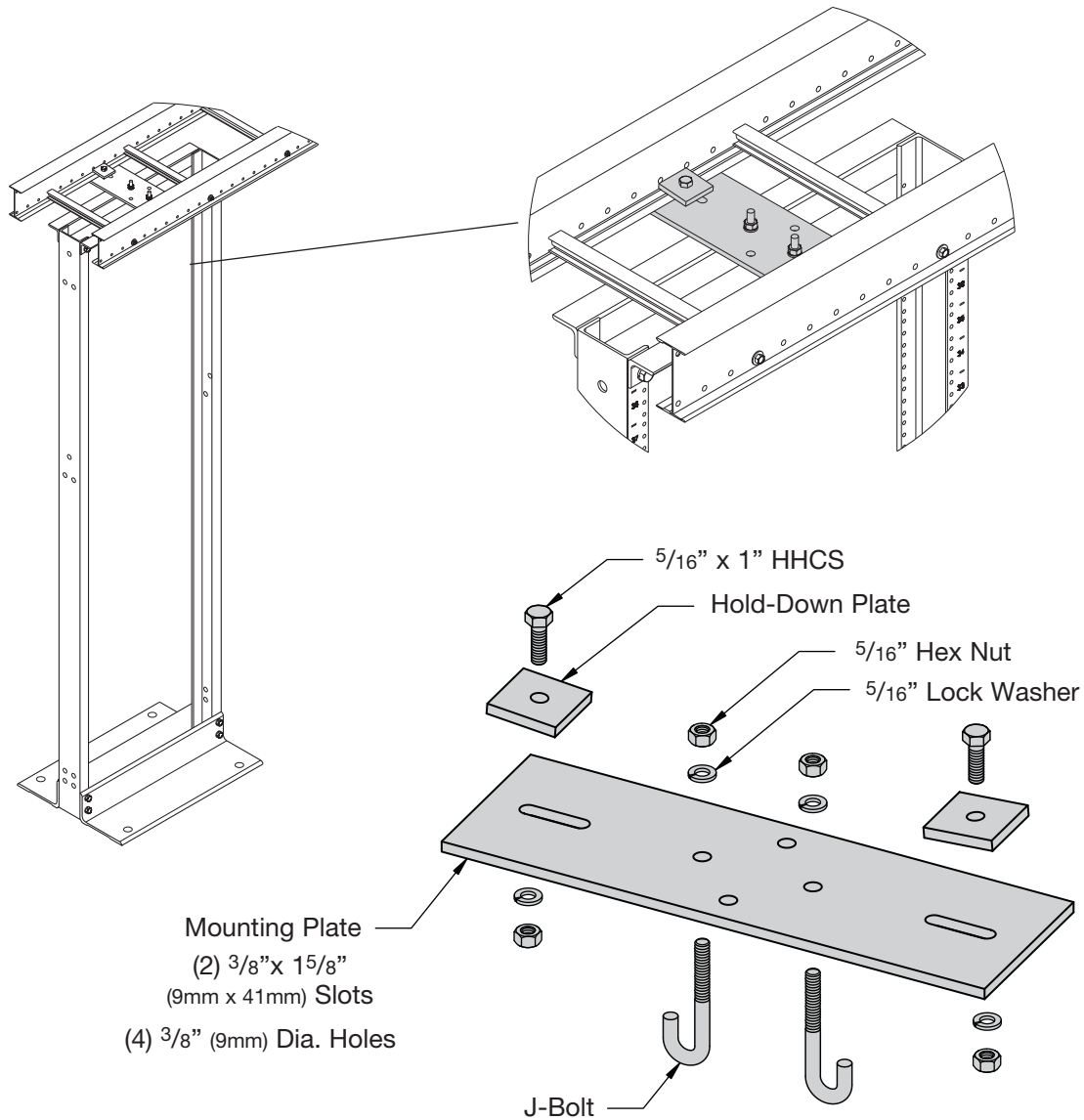
CABLE RUNWAYS
& ACCESSORIES

Part Number	Runway Width		Width 'W'		Length 'L'		Weight	
	In.	(mm)	In.	(mm)	In.	(mm)	Lbs.	(kg)
✓ SB213309	6" - 9"	(152 - 228)	4"	(101)	9 ⁷ / ₈ "	(251)	3.4	(1.5)
✓ SB213312	8" - 12"	(203 - 305)	4"	(101)	12 ⁷ / ₈ "	(327)	4.3	(2.0)
✓ SB213318	14" - 18"	(355 - 457)	4"	(101)	18 ⁷ / ₈ "	(479)	6.1	(2.8)
SB213324	24"	(609)	7"	(178)	24 ⁷ / ₈ "	(632)	12.5	(5.7)

✓ FB, TG & YZ are popular items

3" Upright Network Equipment Rack Top Plate Redi-Rail™ Support Kit

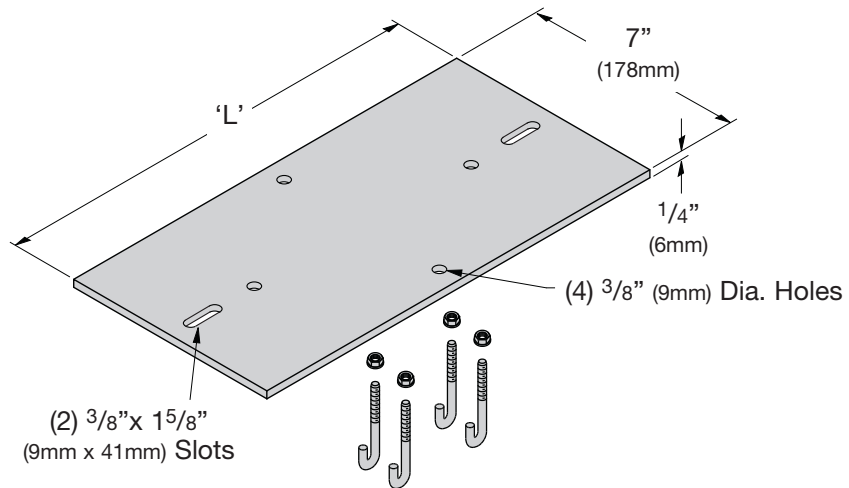
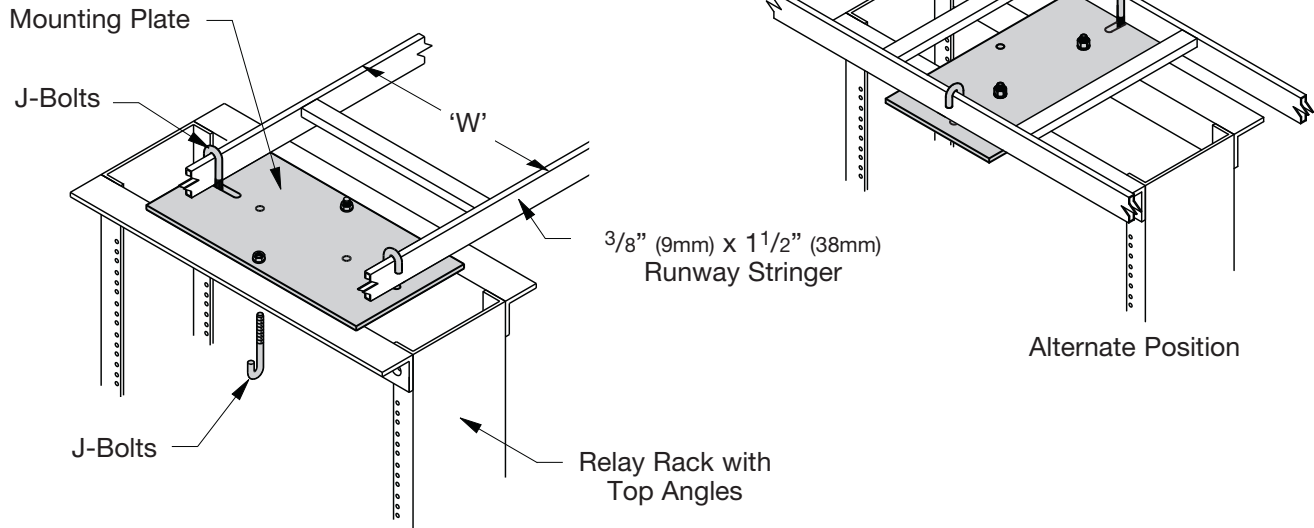
- Use to secure Cooper B-Line Redi-Rail to top angles of network equipment rack.
- Accommodates Redi-Rail in parallel or perpendicular arrangement.
- Includes: (1) mounting plate, (2) hold-down plates, (2) "J" bolts, and 5/16"-18 hardware.
- Material: ASTM A36 structural steel
- Finish___: Yellow Zinc (YZ),
Telco Gray Powder Coat (TG), or
Flat Black Powder Coat (FB)
(Other finishes are available upon request)



Part Number	Redi-Rail Width 'W'		Plate Size Width x Length		Weight	
	In.	(mm)	In.	(mm)	Lbs.	(kg)
SB213312RR___	9" - 12"	(228 - 305)	4" x 12 ⁷ / ₈ "	(101 x 327)	6.0	(2.72)
SB213318RR___	18"	(457)	4" x 18 ⁷ / ₈ "	(101 x 479)	6.3	(2.85)

6" Upright Network Equipment Rack Top Plate Runway Support Kit

- Use to secure cable runway to top angles of network equipment rack.
- Accommodates runway in parallel or perpendicular arrangement.
- Includes: (1) mounting plate and (4) "J" bolts with 5/16"-18 hardware.
- Material: ASTM A36 structural steel
- Finish___: Yellow Zinc (YZ),
Telco Gray Powder Coat (TG), or
Flat Black Powder Coat (FB)
(Other finishes are available upon request)



Part Number	Runway Width 'W'		Length 'L'		Weight	
	In.	(mm)	In.	(mm)	Lbs.	(kg)
SB213209	6" - 9"	(152 - 228)	9 ³ / ₈ "	(238)	5.5	(2.49)
SB213212	8" - 12"	(203 - 305)	12 ³ / ₈ "	(314)	6.8	(3.08)
SB213218	14" - 18"	(355 - 457)	18 ³ / ₈ "	(467)	10.0	(4.53)
SB213224	24"	(609)	24 ³ / ₈ "	(619)	12.9	(5.85)