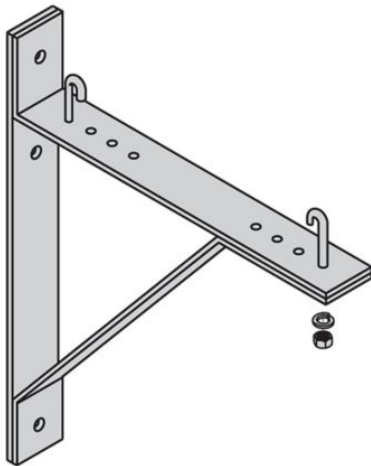


# Eaton SB21312KFB

Catalog Number: SB21312KFB

Eaton B-Line series runway shelf bracket, Steel, Flat black powder coat, 12" runway width, Triangular runway wall support kit



## General specifications

Product Name	Catalog Number
Eaton B-Line series runway shelf bracket	SB21312KFB
UPC	Product Length/Depth
799038205654	13.88 in
Product Height	Product Width
13.13 in	1.75 in
Product Weight	Certifications
5.9 lb	Not Applicable

## Product specifications

### Model

Triangular runway wall support kit

### Material

Steel

### Finish

Flat black powder coat

## Resources

### Catalogs

[Cable runway and accessories section of datacomm catalog](#)

### Specifications and datasheets

[Eaton Specification Sheet - SB21312KFB](#)



Eaton Corporation plc  
Eaton House  
30 Pembroke Road  
Dublin 4, Ireland  
Eaton.com  
© 2024 Eaton. All Rights Reserved.

Eaton is a registered trademark.

All other trademarks are property of their respective owners.



[Eaton.com/socialmedia](https://Eaton.com/socialmedia)