

# Network Equipment Racks & Accessories

Eaton offers two-post, four-post, fixed wall mount, swing gate wall mount, and seismic zone 4 open frame racks and accessories to support networking equipment and cabling for enterprise data centers, colocation providers and network closets.

- Two-post racks - designed to meet a variety of application requirements.
- Two-post seismic racks - for areas where shock and vibration are a factor and is tested to NEBS GR-63-Core Seismic Zone 4 standards and rated for 900 lbs. of equipment.
- Four-post racks - adjustable depth four-post rack offerings address these needs while also accommodating other Eaton equipment and cable management accessories.

Material:	Type	Thickness	Specifications
	Steel Bar	3/8" (9.5mm) - 7 Gauge (4.5mm)	ASTM A36
	Steel Sheet & Strip	10 Gauge (3.4mm) - 18 Gauge (1.2mm)	ASTM A569
	Aluminum		5052-H32, 6061-T6 & 6063-T6

## Finishes:

- Brushed Aluminum (AL)
- Powder Coat Paint
  - Flat Black (FB)
  - Telco Gray (TG)
  - Eaton White (EW)
  - Silver (SL)
- Chemical Conversion Coatings Available
  - Yellow Zinc (YZ) . . . ASTM B633
  - Black Zinc (BZ) . . . ASTM B633



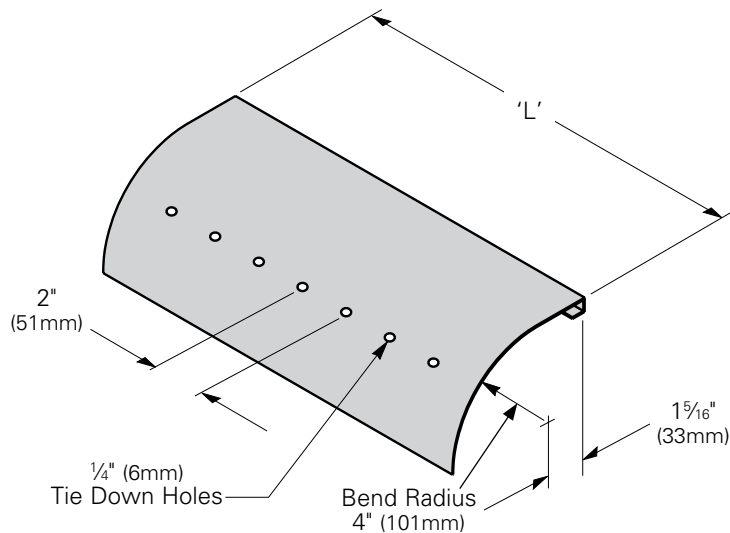
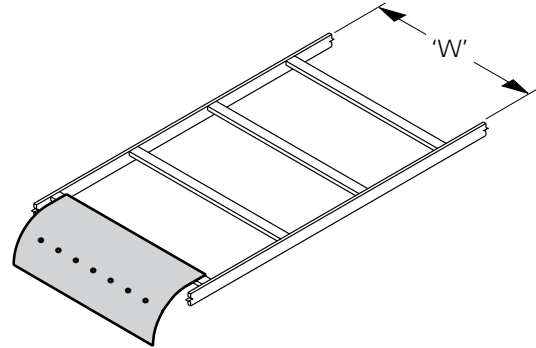
## Standard Conformance:

- EIA/ECA-310-E
- UL Listed Communication Circuit Accessory (file no. E171936)
- Audio/Video, Information and Communication Technology Equipment Cabinet, Enclosure and Rack Systems

# Cable Runway & Accessories

## Steel Runway Drop-Out

- Use to provide a smooth radius for cable exit
- SB2129 Series fits channel or tube rungs  $\frac{1}{2}$ " (13mm) x 1" (25mm)
- SB2129U Series fits rungs  $\frac{3}{8}$ " (9mm) x  $1\frac{1}{2}$ " (38mm)
- Cable tie down holes provided
- 4" (102mm) cable bend radius
- Includes: self-drilling screws
- Material: 18 Gauge (1.2mm) ASTM A569 steel
- Finish \_\_\_\_: Flat black powder coat (FB)  
Telco gray powder coat (TG)  
Yellow zinc (YZ)



Part Number		Dropout Width		Runway Width		Weight	
SB2129 Series	SB2129U Series	In.	(mm)	In.	(mm)	Lbs.	(kg)
SB212906__	SB2129U06__	4"	(101)	6"	(152)	0.7	(0.31)
SB212909__	SB2129U09__	7"	(178)	9"	(228)	1.2	(0.54)
SB212912__	SB2129U12__	10"	(254)	12"	(305)	1.7	(0.77)
SB212915__	SB2129U15__	13"	(330)	15"	(381)	2.2	(0.99)
SB212918__	SB2129U18__	16"	(406)	18"	(457)	2.7	(1.22)
SB212920__	SB2129U20__	18"	(457)	20"	(508)	3.0	(1.36)
SB212924__	SB2129U24__	22"	(559)	24"	(609)	3.7	(1.67)
SB212930__	SB2129U30__	28"	(711)	30"	(762)	4.7	(2.13)
SB212936__	SB2129U36__	34"	(863)	36"	(914)	5.7	(2.58)

Specify part number and finish when ordering.