

Cable Runway & Accessories

When it comes to optimizing cable pathway, Eaton offers a wide variety of solutions for horizontal and vertical cable runs between racks and enclosures. All cable pathway devices are UL classified and meet or exceed TIA/EIA standards for cable pathways.

- **SB17U series** – features 1½" rungs on 12" centers that are individually boxed for finish protection
- **SB17 & SB17T series** – features 1" rungs on 9" centers which is ideal for telecommunications cables
- **Redi-Rail runway (SB13AL)** - rather than a welded rung, the Redi-rail rungs are joined with durable, strong connectors which allow rungs to be removed using standard tools, resulting in job-site flexibility and future expansion opportunities

Material:	Type	Thickness	Specifications
	Steel Bar	¾" (9.5mm) - 7 Gauge (4.5mm)	ASTM A36
	Steel Strip	10 Gauge (3.4mm) - 16 Gauge (1.5mm)	ASTM A569
	Steel Tube	.049 - .065 steel tubing (1.2 - 1.7mm)	ASTM A513
	Extruded Aluminum (AL)		ASTM 6063-T6

Finishes:

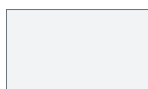
- Powder Coat Paint
- Telco Gray (TG)
 - Eaton White (EW)
 - Flat Black (FB)
- Chemical Conversion Coatings Available
- Yellow Zinc (YZ) . . . ASTM B633
 - Black Zinc (BZ) . . . ASTM B633



(AL)
Brushed
Aluminum



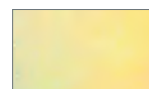
(TG)
Telco Gray



(EW)
Eaton White



(FB)
Flat Black
&
(BZ)
Black Zinc



(YZ)
Yellow Zinc

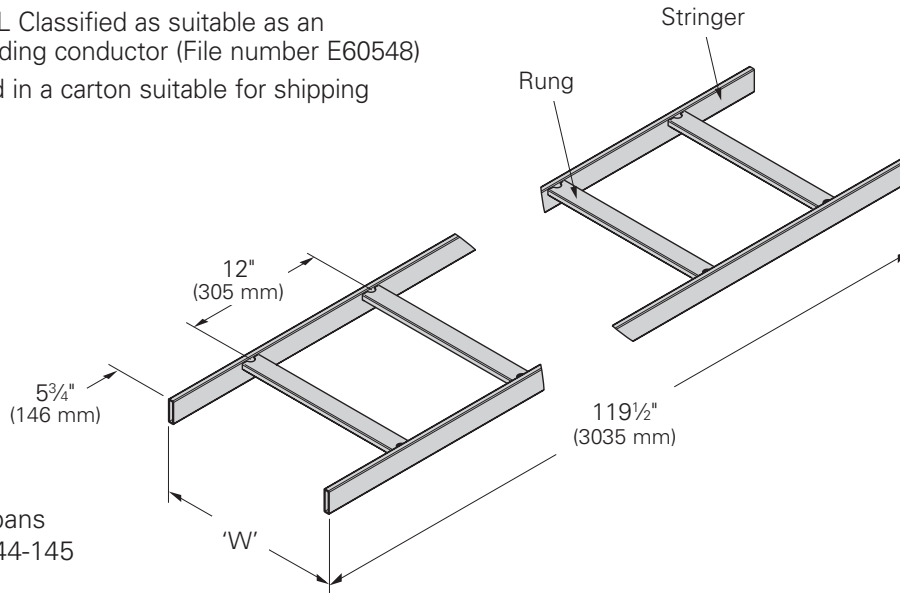
Standard Conformance:

UL Classified as an equipment grounding conductor (File No. E60548).
Painted finishes must be removed at grounding connection before attaching conductive splices or jumpers.

Cable Runway & Accessories

Tubular Stringer Style - 1 1/2" (Boxed)

- Ladder type cable runway for communication cabling pathways
- Mounts to ceilings, walls, floors, relay racks, and electronic enclosures
- 3/8" (9mm) x 1 1/2" (38mm) x 0.049" (1.2mm) tubular steel stringers
- 3/8" (9.5mm) x 1 1/2" (38.1mm) steel tube welded rungs spaced 12" (305mm) on center
- All finishes are UL Classified as suitable as an equipment grounding conductor (File number E60548)
- Individually boxed in a carton suitable for shipping
- Available palletized without individual boxes for larger installation projects
- Material: ASTM A513 grade 1008 steel tube
- Finish ____: Flat black powder coat (FB)
Telco gray powder coat (TG)
Yellow zinc (YZ)



Note: For runway pans see pages 144-145

Series Number	Stringer Dimensions	Span		Recommended Load		Max. Load @ 5/8" Deflection		Deflection Multiplier
		Ft.	(m)	Lbs./Ft.	(N/m)	Lbs./Ft.	(N/m)	
SB17U		4	(1.22)	149	(2174)	347	(5062)	0.0018
		5	(1.52)	95	(1386)	145	(2115)	0.0043
		6	(1.83)	66	(963)	70	(1021)	0.0089

UL Cross Sectional Area

0.40 in² (2.58 cm²)

Design Factors for (1) Rail

Area = .174 in² (1.12 cm²)

Sx = .056 in³ (0.92 cm³)

Ix = .419 in⁴ (17.44 cm⁴)

SB17U Tubular - 1 1/2" (38mm) Stringers

Part Number	'W' Width		Weight	
	In.	(mm)	Lbs.	(kg)
SB17U06B__	6"	(152)	18.0	(8.2)
SB17U09B__	9"	(228)	21.0	(9.5)
SB17U12B__	12"	(305)	23.0	(10.4)
SB17U15B__	15"	(381)	25.0	(11.3)
SB17U18B__	18"	(457)	28.0	(12.7)
SB17U24B__	24"	(609)	32.0	(14.5)
SB17U30B__	30"	(762)	37.0	(16.8)
SB17U36B__	36"	(914)	41.0	(18.6)

Rung Profile



3/8" x 1 1/2"

.049 thick

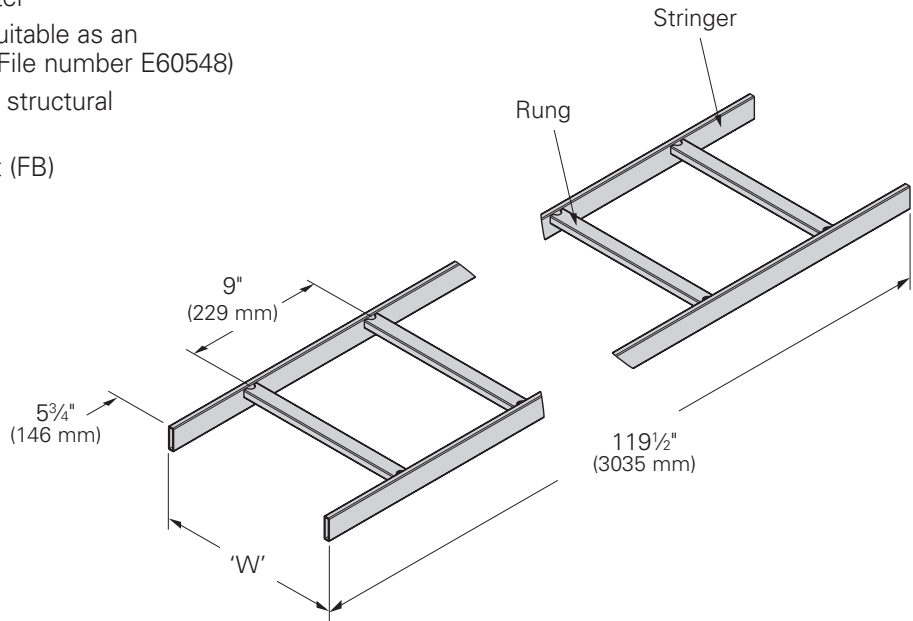
Specify part number and finish when ordering.

Cable Runway & Accessories

Tubular Stringer Style - 1 1/2" (Telco Spacing)

- Ladder type cable runway for communication cabling pathways
- Mounts to ceilings, walls, floors, relay racks, and electronic enclosures
- 3/8" (9mm) x 1 1/2" (38mm) x 0.049" (1.2mm) tubular steel stringers
- 1/2" (13mm) x 1" (25mm) x 0.060" (1.5mm) tubular steel rungs spaced 9" (228mm) on center
- All finishes are UL Classified as suitable as an equipment grounding conductor (File number E60548)
- Material: ASTM A513 grade 1008 structural steel tubing
- Finish ____: Flat black powder coat (FB)

Telco gray powder coat (TG)
Yellow zinc (YZ)



Note: For runway pans
see pages 144-145

Series Number	Stringer Dimensions	Span		Recommended Load		Max. Load @ 5/8" Deflection		Deflection Multiplier
		Ft.	(m)	Lbs./Ft.	(N/m)	Lbs./Ft.	(N/m)	
SB17T		4	(1.22)	149	(2174)	347	(5062)	0.0018
		5	(1.52)	95	(1386)	145	(2115)	0.0043
		6	(1.83)	66	(963)	70	(1021)	0.0089

UL Cross Sectional Area

0.40 in² (2.58 cm²)

Design Factors for (1) Rail

Area = .174 in² (1.12 cm²)

Sx = .056 in³ (0.92 cm³)

Ix = .419 in⁴ (17.44 cm⁴)

SB17T Tubular - 1/2" (38mm) Stringers

Part Number	'W' Width		Weight	
	In.	(mm)	Lbs.	(kg)
SB17T06__	6"	(152)	18.7	(8.5)
SB17T09__	9"	(228)	20.9	(9.5)
SB17T12__	12"	(305)	23.1	(10.5)
SB17T15__	15"	(381)	25.2	(11.5)
SB17T18__	18"	(457)	27.4	(12.4)
SB17T24__	24"	(609)	31.7	(13.4)

Rung Profile



1/2" x 1"
.060 thick

Specify part number and finish when ordering.

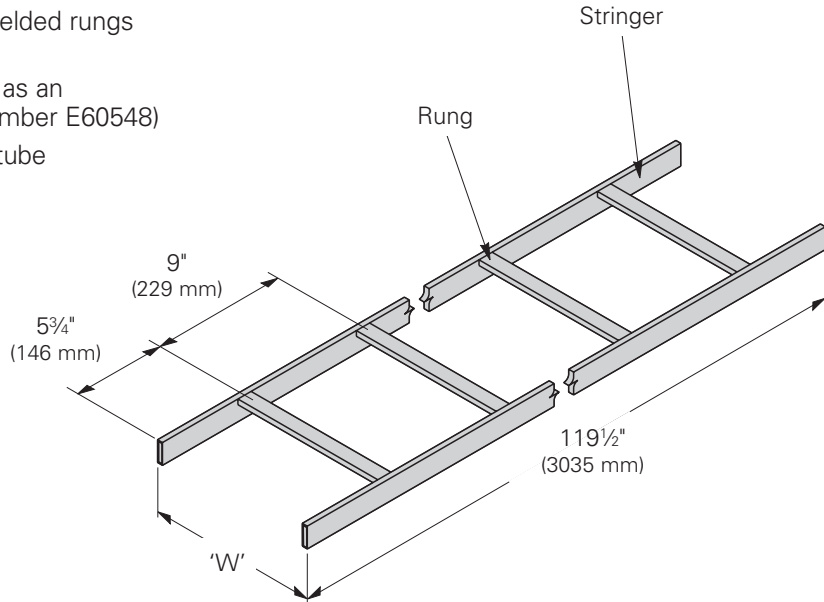
Cable Runway & Accessories

Tubular Stringer Style - 1½" (Value Line)

- Ladder type cable runway for communication cabling pathways
- Mounts to ceilings, walls, floors, relay racks, and electronic enclosures
- 3/8" (9mm) x 1½" (38mm) x 0.049" (1.2mm) tubular steel stringers
- ½" (13mm) x 1" (25mm) steel channel welded rungs spaced 9" (228mm) on center
- All finishes are UL Classified as suitable as an equipment grounding conductor (File number E60548)
- Material: ASTM A513 grade 1008 steel tube
- Finish ____: Flat black powder coat (FB)
Telco gray powder coat (TG)
Yellow zinc (YZ)



Note: For runway pans see pages 144-145



Series Number	Stringer Dimensions	Span		Recommended Load		Max. Load @ 5/8" Deflection		Deflection Multiplier
		Ft.	(m)	Lbs./Ft.	(N/m)	Lbs./Ft.	(N/m)	
SB17		4	(1.22)	149	(2174)	347	(5062)	0.0018
		5	(1.52)	95	(1386)	145	(2115)	0.0043
		6	(1.83)	66	(963)	70	(1021)	0.0089

UL Cross Sectional Area

0.40 in² (2.58 cm²)

Design Factors for (1) Rail

Area = .210 in² (1.35 cm²)

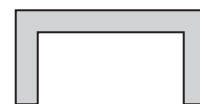
Sx = .066 in³ (1.08 cm³)

Ix = .050 in⁴ (2.08 cm⁴)

SB17 Tubular - 1½" (38mm) Stringers

Part Number	'W' Width		Weight	
	In.	(mm)	Lbs.	(kg)
SB1706__	6"	(152)	18.7	(8.5)
SB1709__	9"	(228)	20.9	(9.5)
SB1712__	12"	(305)	23.1	(10.5)
SB1715__	15"	(381)	25.2	(11.5)
SB1718__	18"	(457)	27.4	(12.4)
SB1720__	20"	(508)	28.8	(13.0)
SB1724__	24"	(609)	31.7	(13.4)
SB1730__	30"	(762)	36.1	(16.4)
SB1736__	36"	(914)	40.4	(18.3)

Rung Profile



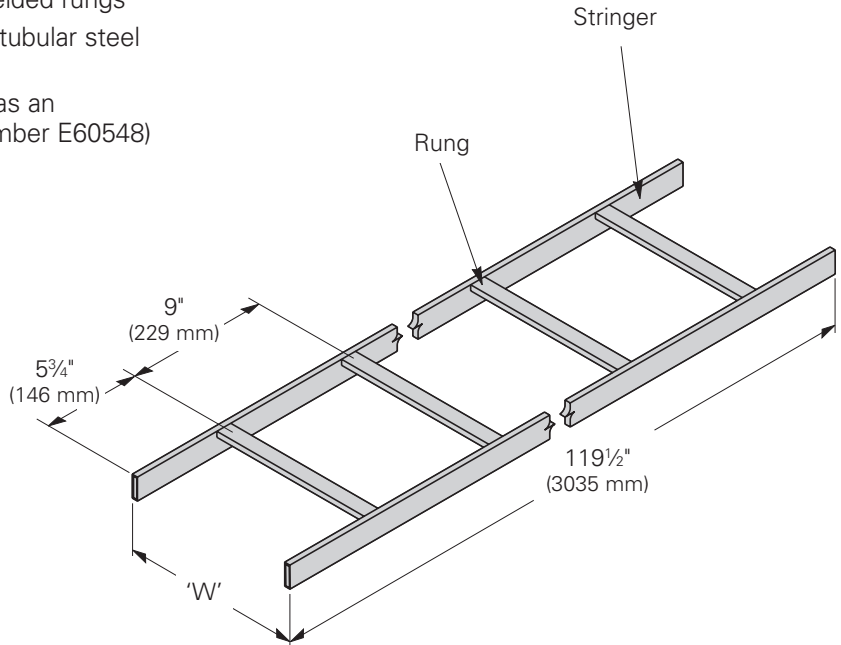
½" x 1"
11 gauge

Specify part number and finish when ordering.

Cable Runway & Accessories

Tubular Stringer Style - 2"

- ½" (13mm) x 1" (25mm) steel channel welded rungs
- ⅜" (9mm) x 2" (51mm) x 0.065" (1.7mm) tubular steel stringers
- All finishes are UL Classified as suitable as an equipment grounding conductor (File number E60548)
- Material: ASTM A513 steel tube
- Finish ____: Flat black powder coat (FB)
Telco gray powder coat (TG)
Yellow zinc (YZ)



Series Number	Stringer Dimensions	Span		Load		Deflection Multiplier
		Ft.	(m)	Lbs./Ft.	(N/m)	
SB16A		4	(1.22)	254	(3707)	0.0007
		5	(1.52)	163	(2379)	0.0018
		6	(1.83)	113	(1649)	0.0037
		7	(2.13)	83	(1211)	0.0069
		8	(2.44)	63	(919)	0.0117

UL Cross Sectional Area
0.40 in² (2.58 cm²)

Design Factors for (1) Rail

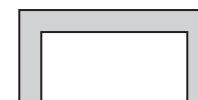
Area = .271 in² (1.75 cm²)
Sx = .145 in³ (2.37 cm³)
Ix = .109 in⁴ (4.53 cm⁴)

SB16A Tubular - 2" (51mm) Stringers

Part Number	'W' Width		Weight	
	In.	(mm)	Lbs.	(kg)
SB1606A	6"	(152)	23.6	(10.7)
SB1609A	9"	(228)	25.8	(11.7)
SB1612A	12"	(305)	28.0	(12.7)
SB1615A	15"	(381)	30.1	(13.6)
SB1618A	18"	(457)	33.7	(15.3)
SB1620A	20"	(508)	32.3	(14.6)
SB1624A	24"	(609)	36.6	(16.6)
SB1630A	30"	(762)	41.0	(18.6)
SB1636A	36"	(914)	45.3	(20.5)

Specify part number and finish when ordering.

Rung Profile

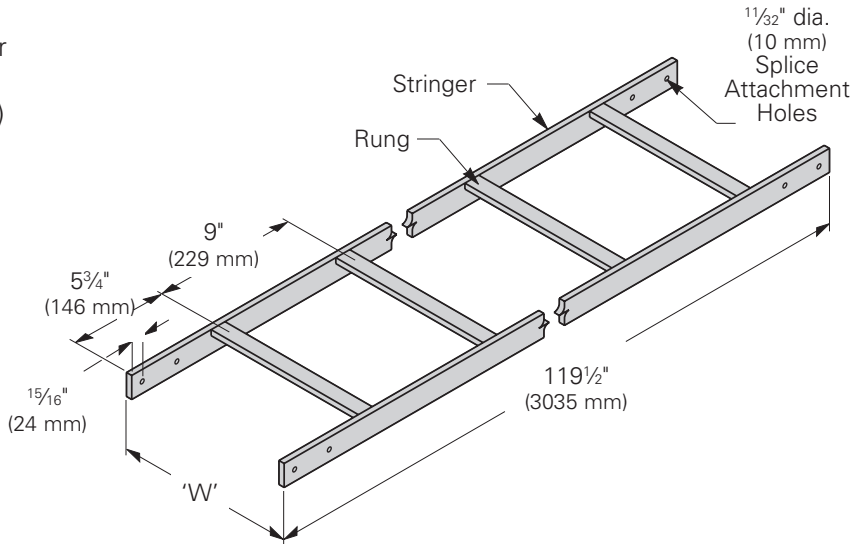


½" x 1"
11 gauge

Cable Runway & Accessories

Solid Bar Stringer Style - 2"

- 1/2" (13mm) x 1" (25mm) steel channel welded rungs
- All finishes are UL Classified as suitable as an equipment grounding conductor (File number E60548)
- 13/32" (10mm) holes provided in solid bar stringers for use with SB2135 heavy duty splice
- Material: ASTM A36 structural steel bar
- Finish ____: Flat black powder coat (FB)
Telco gray powder coat (TG)
Yellow zinc (YZ)



Series Number	Stringer Dimensions	Span		Load		Deflection Multiplier
		Ft.	(m)	Lbs./Ft.	(N/m)	
SB16		4	(1.22)	292 [†]	(4261)	0.0003
		5	(1.52)	292 [†]	(4261)	0.0008
		6	(1.83)	250	(3648)	0.0016
		7	(2.13)	184	(2685)	0.0069
		8	(2.44)	141	(2057)	0.0051

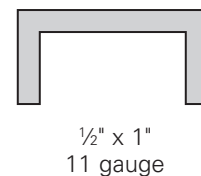
UL Cross Sectional Area
1.00 in ² (6.45 cm ²)
Design Factors for (1) Rail
Area = .750 in ² (4.84 cm ²)
Sx = .250 in ³ (4.09 cm ³)
Ix = .250 in ⁴ (10.40 cm ⁴)

[†] Limited by rung load capacity.

SB16 Solid Bar - 2" (51mm) Stringers

Part Number	'W' Width		Weight	
	In.	(mm)	Lbs.	(kg)
SB1606__	6"	(152)	54.6	(24.7)
SB1609__	9"	(228)	56.7	(25.7)
SB1612__	12"	(305)	58.9	(26.7)
SB1615__	15"	(381)	61.1	(27.7)
SB1618__	18"	(457)	63.3	(28.7)
SB1620__	20"	(508)	64.7	(29.3)
SB1624__	24"	(609)	67.6	(30.6)
SB1630__	30"	(762)	71.9	(32.6)
SB1636__	36"	(914)	76.3	(34.6)

Rung Profile



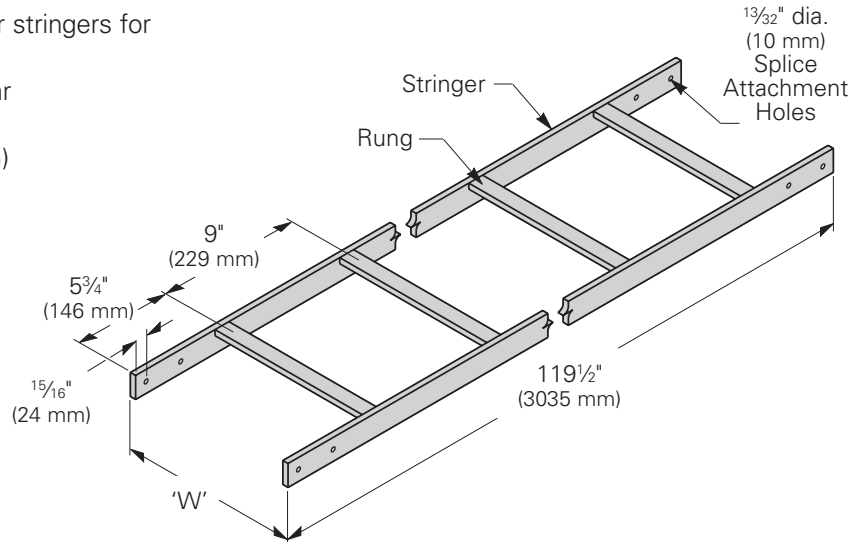
Specify part number and finish when ordering.

Cable runway & accessories

Cable Runway & Accessories

Solid Bar Stringer Style 1½"

- ½" (13mm) x 1" (25mm) steel channel welded rungs
- All finishes are UL Classified as suitable as an equipment grounding conductor (File number E60548)
- 13/32" (10mm) holes provided in solid bar stringers for use with SB2135 heavy duty splice
- Material: ASTM A36 structural steel bar
- Finish ____: Flat black powder coat (FB)
Telco gray powder coat (TG)
Yellow zinc (YZ)



Series Number	Stringer Dimensions	Span		Load		Deflection Multiplier
		Ft.	(m)	Lbs./Ft.	(N/m)	
SB15		4	(1.22)	292 [†]	(4261)	0.0008
		5	(1.52)	217	(3167)	0.0019
		6	(1.83)	151	(2204)	0.0038
		7	(2.13)	111	(1620)	0.0171
		8	(2.44)	85	(1240)	0.0122

UL Cross Sectional Area

1.00 in² (6.45 cm²)

Design Factors for (1) Rail

Area = .562 in² (3.62 cm²)
S_x = .141 in³ (2.31 cm³)
I_x = .105 in⁴ (4.37 cm⁴)

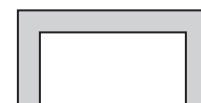
[†] Limited by rung load capacity.

SB15 Solid Bar - 1½" (38mm) Stringers

Part Number	'W' Width		Weight	
	In.	(mm)	Lbs.	(kg)
SB1506__	6"	(152)	41.8	(18.9)
SB1509__	9"	(228)	44.0	(19.9)
SB1512__	12"	(305)	46.2	(20.9)
SB1515__	15"	(381)	48.3	(21.9)
SB1518__	18"	(457)	50.5	(22.9)
SB1520__	20"	(508)	52.0	(23.6)
SB1524__	24"	(609)	54.8	(24.8)
SB1530__	30"	(762)	59.2	(26.8)
SB1536__	36"	(914)	63.5	(28.8)

Specify part number and finish when ordering.

Rung Profile



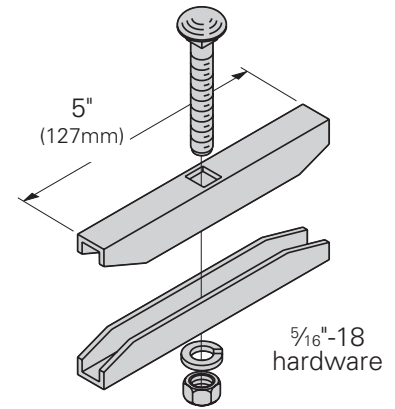
½" x 1"
11 gauge

Cable runway & accessories

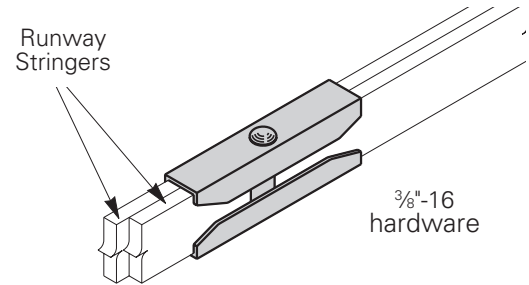
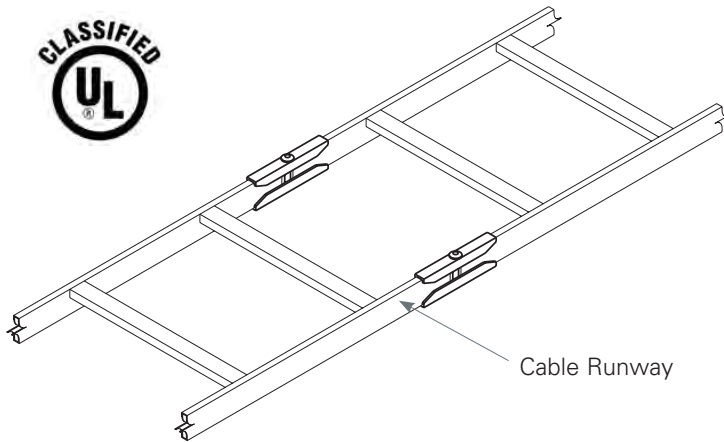
Cable Runway & Accessories

Cable Runway Butt-Splice Clamp & Kit

- Use to connect runway stringers
- SB166A & SB166B includes one (1) clamp and hardware as shown
- SB2107 kit includes two (2) clamps and hardware as shown
- Material: ASTM A570 structural steel
- UL Classified - file number E60548
- Finish___: Black zinc (BZ)
Yellow zinc (YZ)



SB166A
For Single Stringer

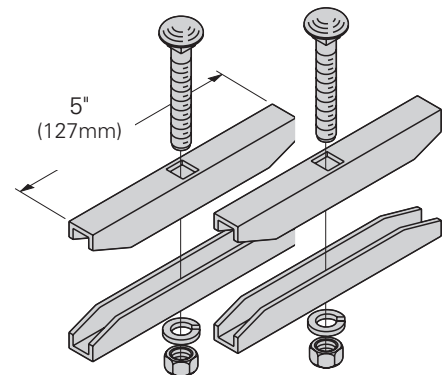


SB166B For Dual Stringers

One Splice Clamp

Part Number	Runway Height		Stringer Style	Weight	
	In.	(mm)		Lbs.	(kg)
SB166A ___	1½"	(38)	Single	0.48	(.22)
SB166A2 ___	2"	(51)	Single	0.48	(.22)
SB166B ___	1½"	(38)	Dual	0.74	(.33)
SB166B2 ___	2"	(51)	Dual	0.74	(.33)

Specify part number and finish when ordering.



SB2107
Kit For Single Stringers

Pair of Splice Clamps

Part Number	Runway Height		Stringer Style	Weight	
	In.	(mm)		Lbs.	(kg)
SB2107 ___	1½"	(38)	Single	0.95	(.43)
SB21072 ___	2"	(51)	Single	0.95	(.43)

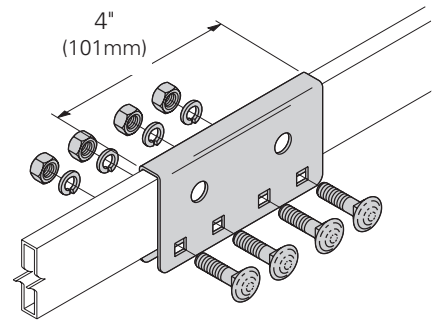
Specify part number and finish when ordering.

Cable runway & accessories

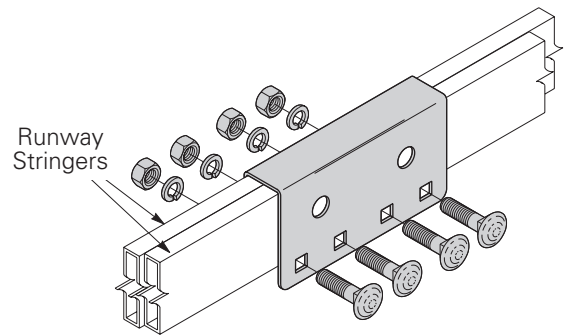
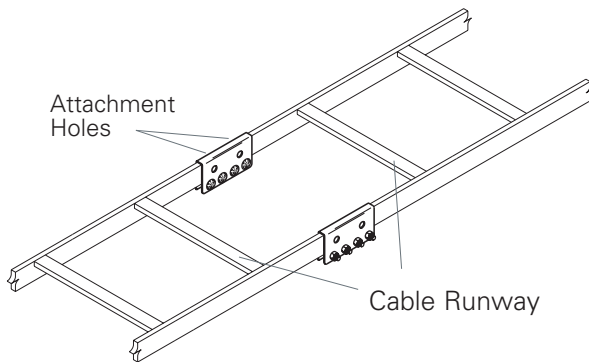
Cable Runway & Accessories

Heavy Duty Cable Runway Butt-Splice Clamp & Kit

- Use to connect runway stringers
- SB168C & SB168D includes one (1) clamp and hardware as shown
- SB2135 kit includes two (2) clamps and hardware as shown
- For additional strength use $\frac{3}{8}$ "-16 through bolts in attachment holes. (not included)
- Material: ASTM A570 structural steel
- UL Classified - file number E60548
- Finish___: Black zinc (BZ)
Yellow zinc (YZ)



SB168C For Single Stringer



SB168D For Dual Stringers

One Splice Clamp

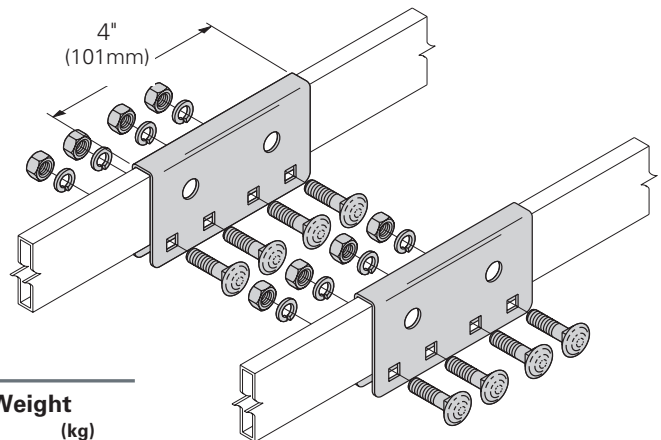
Part Number	Runway Height		Stringer Style	Weight	
	In.	(mm)		Lbs.	(kg)
SB168C ___	1½"	(38)	Single	0.50	(.23)
SB168C2 ___	2"	(51)	Single	0.50	(.23)
SB168D ___	1½"	(38)	Dual	0.54	(.24)
SB168D2 ___	2"	(51)	Dual	0.54	(.24)

Specify part number and finish when ordering.

Pair of Splice Clamps

Part Number	Runway Height		Stringer Style	Weight	
	In.	(mm)		Lbs.	(kg)
SB2135 ___	1½"	(38)	Single	1.00	(.45)
SB21352 ___	2"	(51)	Single	1.00	(.45)

Specify part number and finish when ordering.



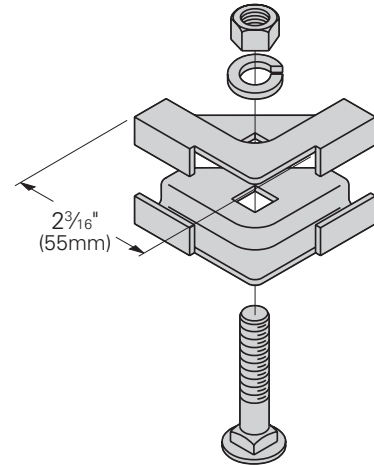
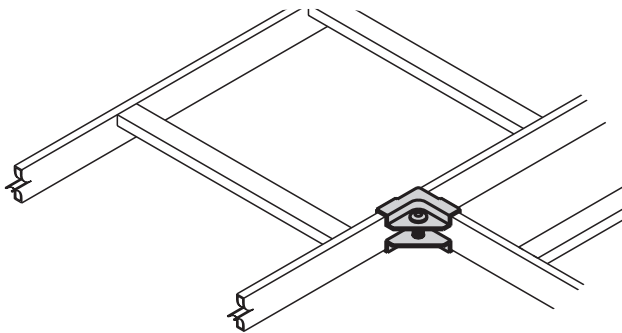
SB2135 For Single Stringers

Cable runway & accessories

Cable Runway & Accessories

Runway 90° Junction Splice Clamp & Kit

- Use to connect cable runway stringers to form a 90° horizontal tee
- SB165 includes one (1) clamp and hardware as shown
- SB2101A kit includes two (2) clamps and hardware as shown
- Material: ASTM A570 structural steel
- UL Classified - file number E60548
- Finish ____: Black zinc (BZ)
Yellow zinc (YZ)

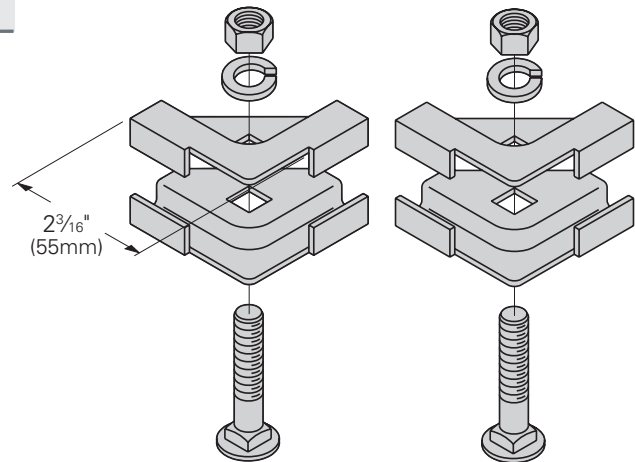


SB165

One Splice Clamp

Part Number	Runway Height		Weight	
	In.	(mm)	Lbs.	(kg)
SB165__	1½"	(38)	0.32	(.14)
SB1652__	2"	(51)	0.33	(.15)

Specify part number and finish when ordering.



SB2101A

Pair of Splice Clamps

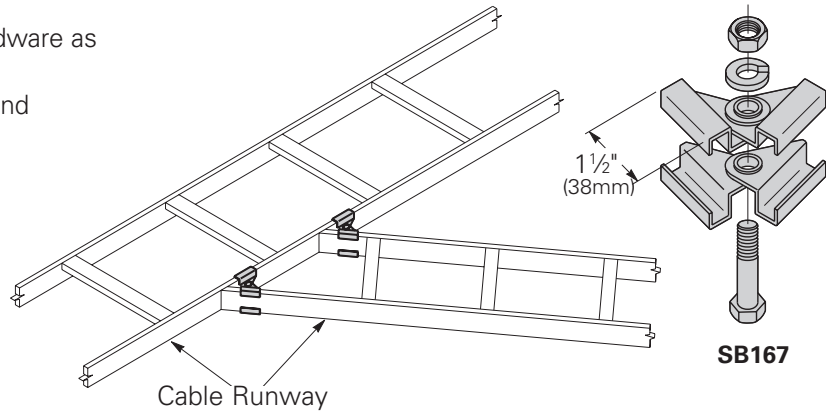
Part Number	Runway Height		Weight	
	In.	(mm)	Lbs.	(kg)
SB2101A__	1½"	(38)	0.63	(.28)
SB2101A2__	2"	(51)	0.65	(.29)

Specify part number and finish when ordering.

Cable Runway & Accessories

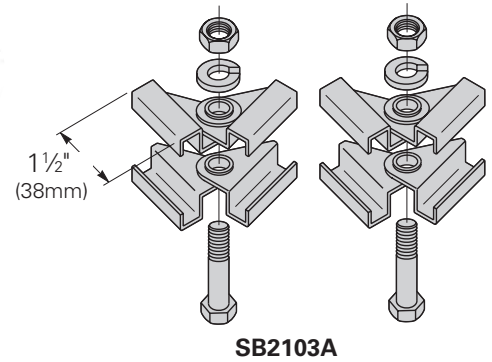
Runway Adjustable Junction Splice Clamp

- Use to connect cable runway stringers at angles from 0° to 90°
- SB167 includes one (1) clamp and hardware as shown
- SB2103A kit includes two (2) clamps and hardware as shown
- Runway mitering recommended
- Material: ASTM A570 structural steel
- UL Classified - file number E60548
- Finish___: Black zinc (BZ)
Yellow zinc (YZ)



Part Number	Runway Height In. (mm)	Weight Lbs. (kg)
SB167__	1 1/2" (38)	0.35 (.16)
SB1672__	2" (51)	0.35 (.16)

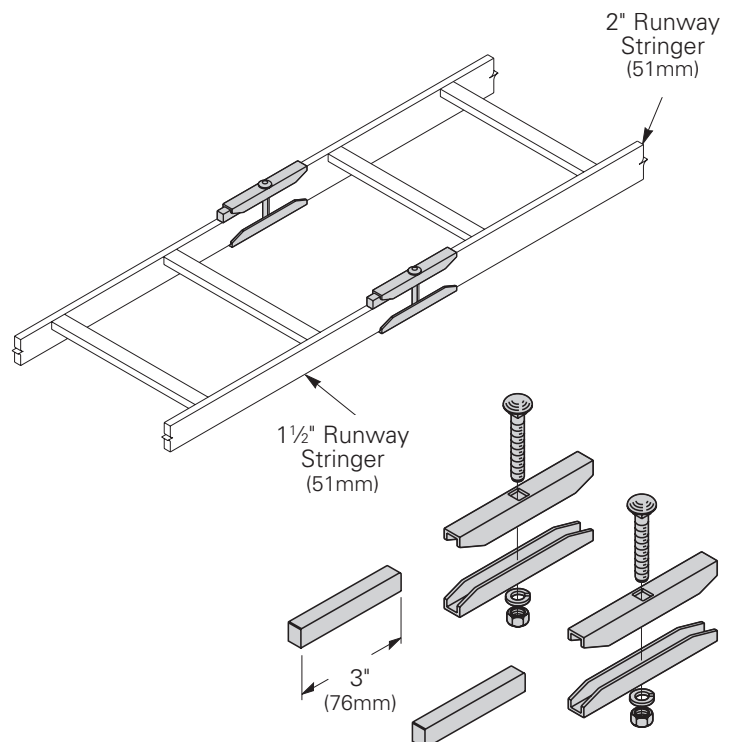
Part Number	Runway Height In. (mm)	Weight Lbs. (kg)
SB2103A__	1 1/2" (38)	0.70 (.34)
SB2103A2__	2" (51)	0.70 (.34)



Specify part number and finish when ordering.

Runway Stringer Reducer Butt-Splice Kit

- Use to connect 1 1/2" (38mm) runway stringer to 2" (51mm) runway stringer
- Includes: (2) 2" (51mm) clamps with hardware and (2) reducer bars
- No drilling or modification necessary
- Material: ASTM A570, A513 & A36 steel
- UL Classified - file number E60548
- Finish___: Black zinc (BZ)
Yellow zinc (YZ)



Part Number	Weight Lbs. (kg)
SB2108A__	1.25 (0.57)

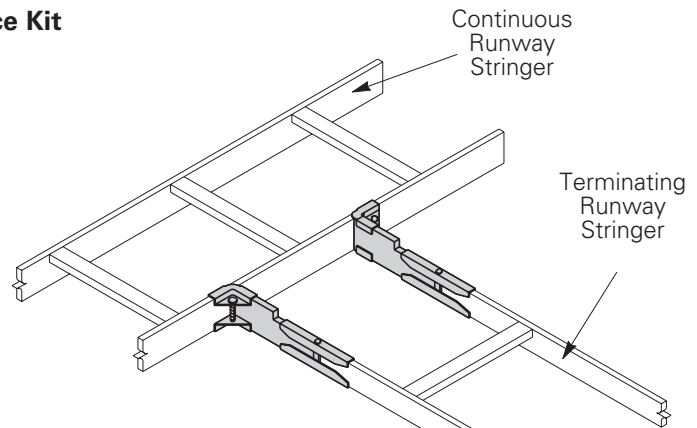
Specify part number and finish when ordering.

Cable runway & accessories

Cable Runway & Accessories

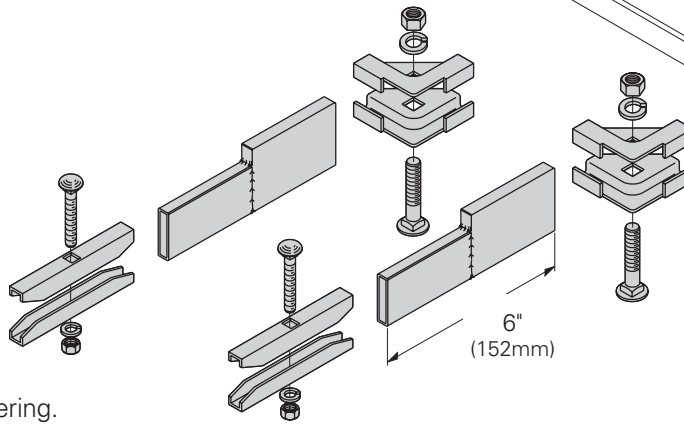
Runway Stringer Reducing and 90° Junction Splice Kit

- Use to connect 1½" (38mm) runway stringer to 2" (51mm) runway stringer to form a 90° horizontal tee
- Includes: (2) extension clamps, (2) corner clamps, (2) reducer bars and hardware
- No drilling or modification necessary
- Material: ASTM A570, A513 & A36 steel
- UL Classified - file number E60548
- Finish___: Black zinc (BZ)
Yellow zinc (YZ)



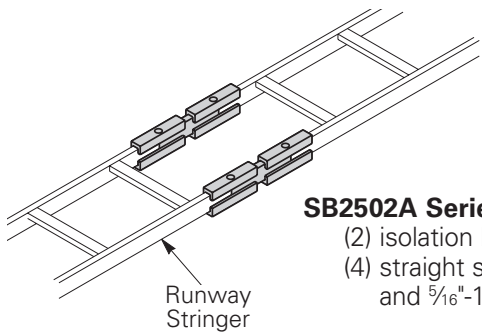
Part Number	Weight	
	Lbs.	(kg)
SB2108C___	3.8	(1.7)

Specify part number and finish when ordering.

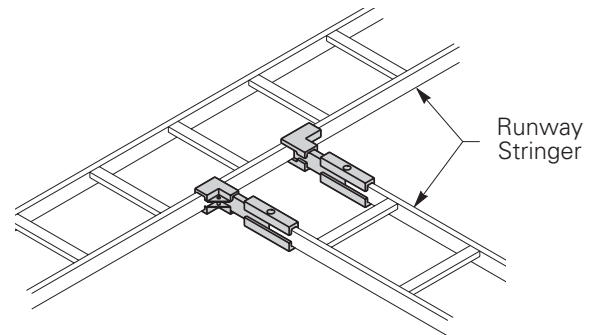


Cable Runway Isolation Kit

- Use to provide electrical isolation and splice cable runway
- Material: Bar - Phenolic & Clamps - Steel
- Finish: Bar - Natural
Clamps and hardware - Yellow Zinc (YZ)



SB2502A Series Includes:
(2) isolation bars,
(4) straight splice clamps
and 5/16"-18 hardware.



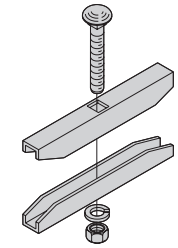
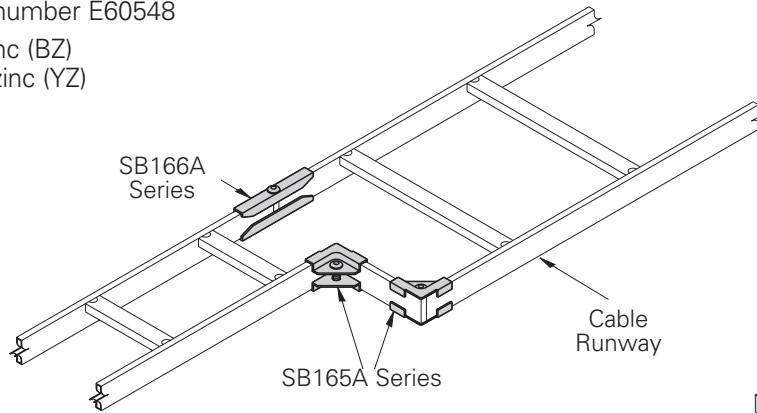
SB2502B Series Includes:
(2) isolation bars
(2) straight splice clamps
(2) corner clamps and
5/16"-18 hardware.

Part Number	Splice Type	Runway Height		Weight	
		In.	(mm)	Lbs.	(kg)
SB2502A	Straight	1½"	(38)	2.30	(1.04)
SB2502A2	Straight	2"	(51)	2.40	(1.09)
SB2502B	Tee	1½"	(38)	1.90	(0.86)
SB2502B2	Tee	2"	(51)	2.00	(0.91)

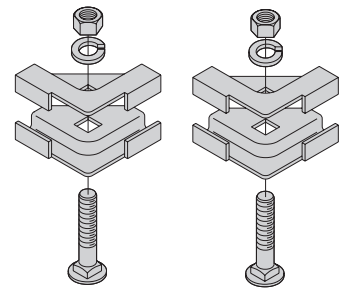
Cable Runway & Accessories

Runway Horizontal Reducing Butt Splice Kit

- Use to connect cable runway stringers to form a reducing straight run
- Includes: (2) SB165A Series, (1) SB166A Series and hardware
- Material: ASTM A570 structural steel
- UL Classified - file number E60548
- Finish ____: Black zinc (BZ)
Yellow zinc (YZ)



SB166A Series



SB165A Series

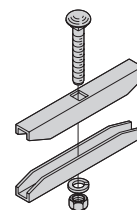
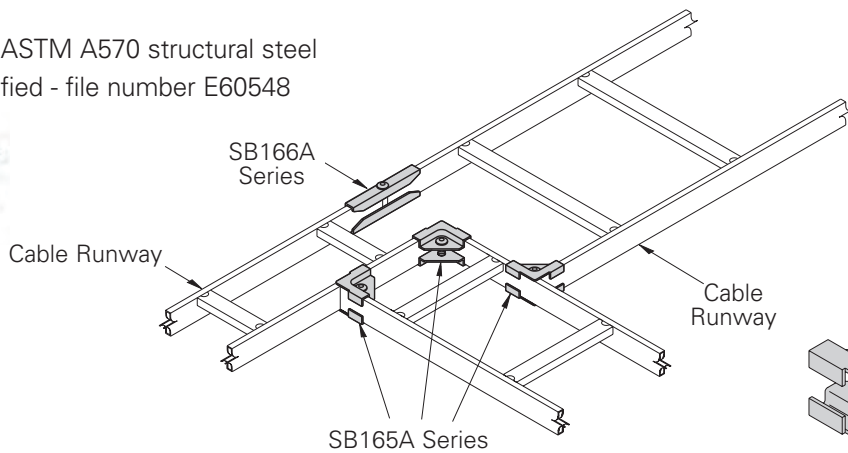
Note: Auxiliary stringer tube not included.

Part Number	Runway Height		Weight	
	In.	(mm)	Lbs.	(kg)
SB2102A__	1½"	(38)	1.10	(.50)
SB2102A2__	2"	(51)	1.13	(.51)

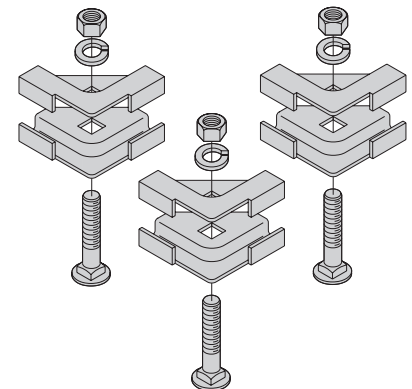
Specify part number and finish when ordering.

Runway Horizontal Reducing and 90° Junction Butt Splice Kit

- Use to connect cable runway stringers to form a reducing straight run with a horizontal tee
- Includes: (3) SB165A Series, (1) SB166A Series and hardware
- Material: ASTM A570 structural steel
- UL Classified - file number E60548
- Finish ____: Black zinc (BZ)
Yellow zinc (YZ)



SB166A Series



SB165A Series

Part Number	Runway Height		Weight	
	In.	(mm)	Lbs.	(kg)
SB2102B__	1½"	(38)	1.40	(.63)
SB2102B2__	2"	(51)	1.44	(.65)

Specify part number and finish when ordering.

Cable runway & accessories

Cable Runway & Accessories

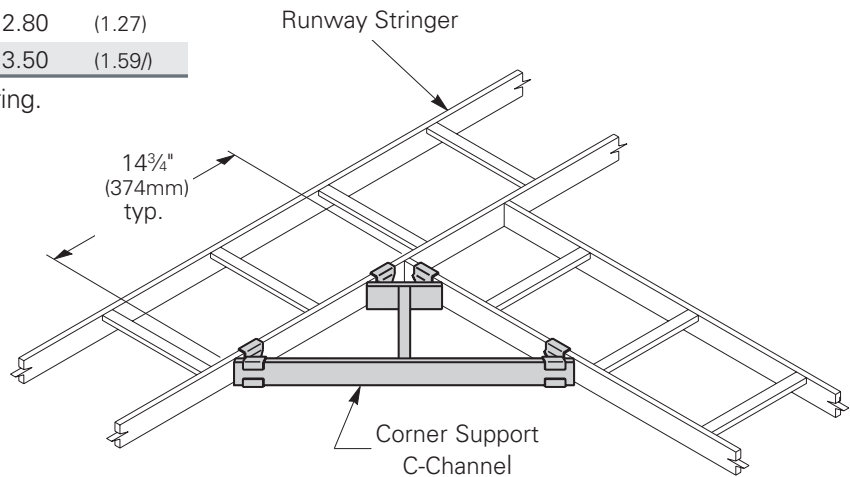
90° Corner Support Kit

- Use to provide additional support for intersecting cable runway and larger cable bend radius
- Includes: (1) mitered runway section, (2) clamps and $\frac{3}{8}$ "-16 hardware
- Material: ASTM A570 structural steel
- UL Classified - file number E60548
- Finish ____: Flat black powder coat (FB)
Telco gray powder coat (TG)
Yellow zinc (YZ)



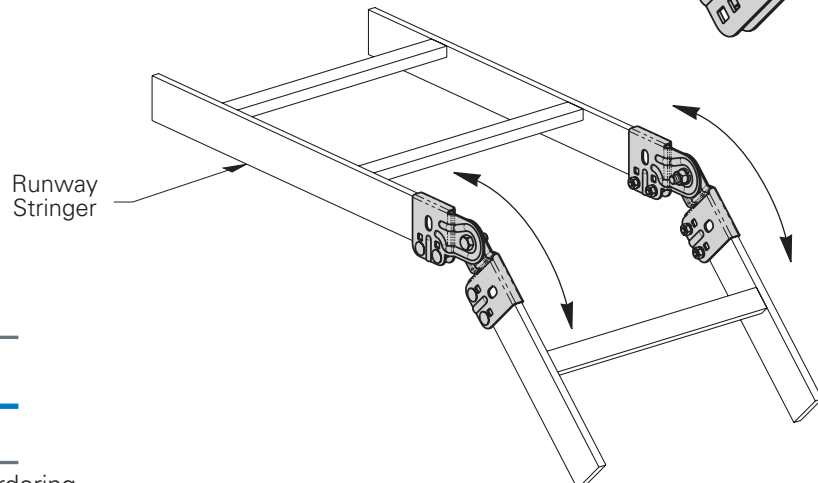
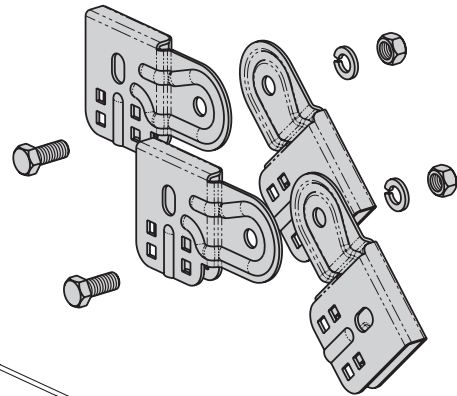
Part Number	Runway Height		Weight	
	In.	(mm)	Lbs.	(kg)
SB2104__	1½"	(38)	2.80	(1.27)
SB21042__	2"	51)	3.50	(1.59/)

Specify part number and finish when ordering.



Adjustable Butt Splice Kit

- Use for vertical change in direction of cable runway
- Includes: (2) splices and hardware
- Attachment holes match $1\frac{3}{32}$ " (10mm) holes in solid bar stringers
- Works with both 1½" & 2" stringer runways
- Adjusts 180°
- Material: ASTM A570 structural steel
- UL Classified - file number E60548
- Finish ____: Black Zinc (BZ)
Yellow Zinc (YZ)

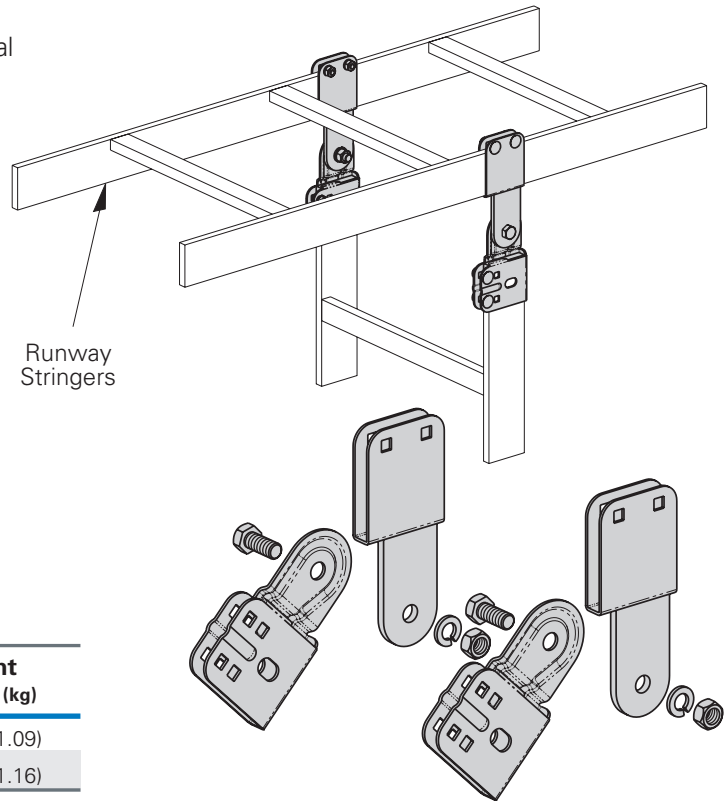


Part Number	Weight	
	Lbs.	(kg)
SB2110A__	2.40	(1.09)

Specify part number and finish when ordering.

Adjustable Vertical Splice Kit

- Use to connect cable runway stringers in a vertical direction
- Adjusts 180°
- Includes: (2) splices and hardware
- Material: ASTM A570 structural steel
- UL Classified - file number E60548
- Finish ____: Black zinc (BZ)
Yellow zinc (YZ)

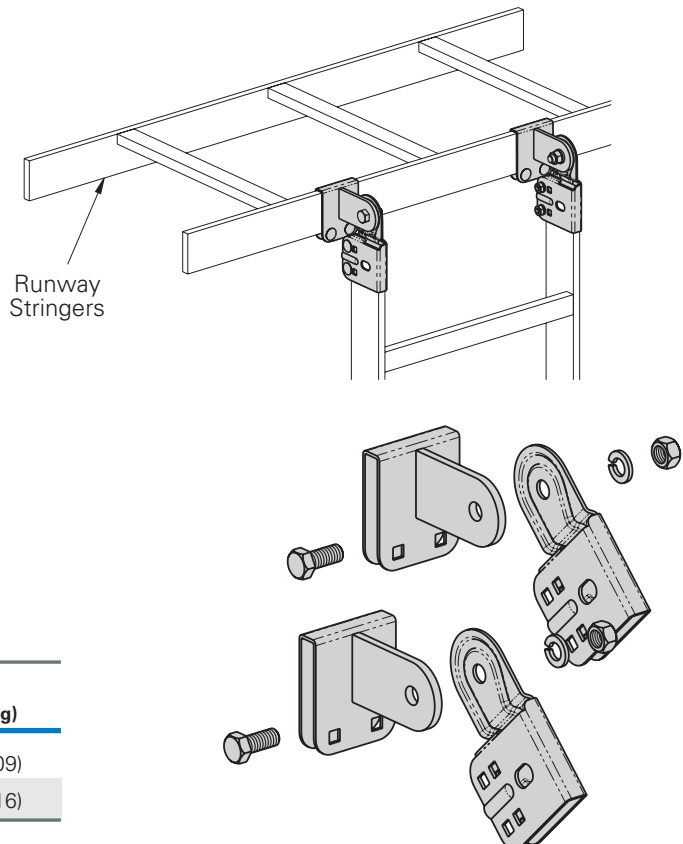


Part Number	Runway Height		Weight	
	In.	(mm)	Lbs.	(kg)
SB2111A__	1½"	(38)	2.40	(1.09)
SB2111A2__	2"	(51)	2.56	(1.16)

Specify part number and finish when ordering.

Adjustable Junction Splice Kit

- Use to connect one cable runway to the side of another cable runway
- Adjusts 270°
- Includes: (2) splices and hardware
- Material: ASTM A570 structural steel
- UL Classified - file number E60548
- Finish ____: Black zinc (BZ)
Yellow zinc (YZ)



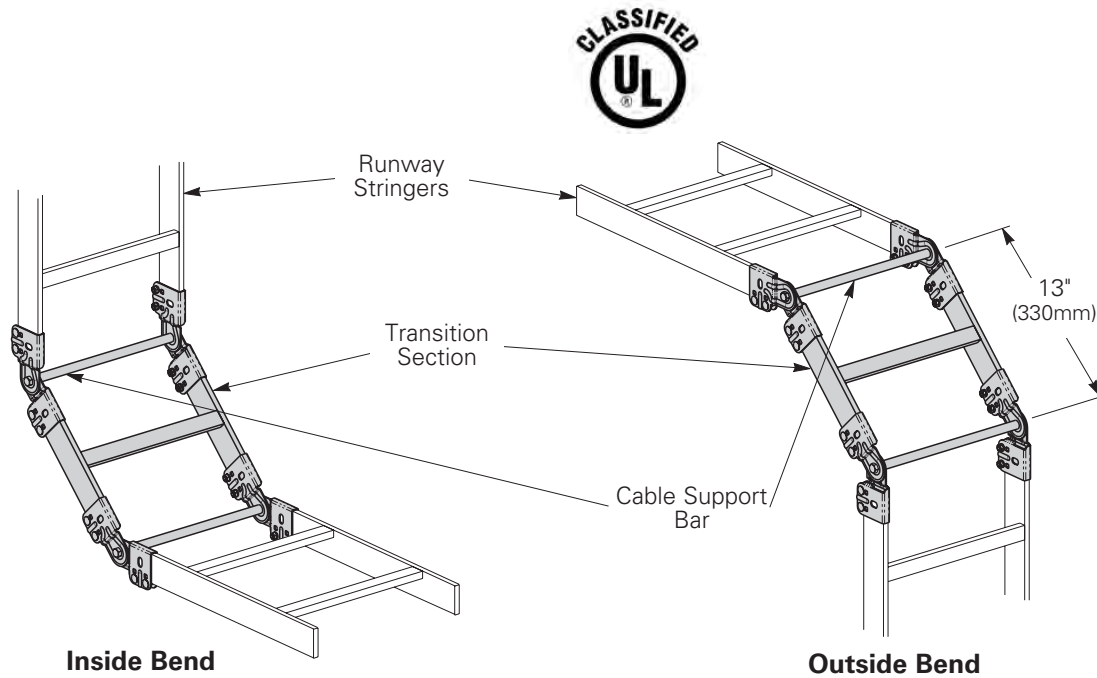
Part Number	Runway Height		Weight	
	In.	(mm)	Lbs.	(kg)
SB2111B__	1½"	(38)	2.40	(1.09)
SB2111B2__	2"	(51)	2.56	(1.16)

Specify part number and finish when ordering.

Cable Runway & Accessories

Adjustable Runway Horizontal To Vertical Transition Kit

- Use for vertical change of direction of cable runway
- All finishes are UL Classified as suitable as an equipment grounding conductor (file number E60548)
- Forms inside or outside bends
- Includes: (1) transition section, (4) splices, (2) cable support bars, and hardware
- Material: ASTM A513 and A570 structural steel
- Finish ____: Flat black powder coat (FB)
Telco gray powder coat (TG)
Black zinc (BZ)
Yellow zinc (YZ)



1½" (38mm) Stringers

Part Number	Runway Width		Weight	
	In.	(mm)	Lbs.	(kg)
SB212806__	6"	(152)	10.1	(4.56)
SB212809__	9"	(228)	12.9	(5.83)
SB212812__	12"	(305)	15.7	(7.10)
SB212815__	15"	(381)	18.4	(8.36)
SB212818__	18"	(457)	21.2	(9.63)
SB212820__	20"	(508)	23.1	(10.48)
SB212824__	24"	(609)	26.8	(12.17)
SB212830__	30"	(762)	32.7	(14.81)
SB212836__	36"	(914)	15.5	(17.37)

Specify part number and finish when ordering.

2" (51mm) Stringers

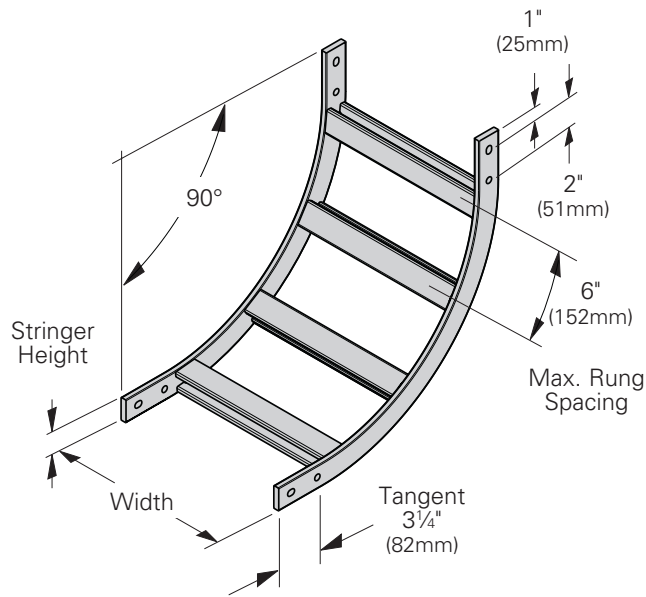
Part Number	Runway Width		Weight	
	In.	(mm)	Lbs.	(kg)
SB2128062__	6"	(152)	11.3	(5.12)
SB2128092__	9"	(228)	14.1	(6.39)
SB2128122__	12"	(305)	16.9	(7.65)
SB2128152__	15"	(381)	19.7	(8.92)
SB2128182__	18"	(457)	22.5	(10.19)
SB2128202__	20"	(508)	24.3	(11.03)
SB2128242__	24"	(609)	28.0	(12.72)
SB2128302__	30"	(762)	33.9	(15.36)
SB2128362__	36"	(914)	39.5	(17.92)

Specify part number and finish when ordering.

Cable Runway & Accessories

Universal 90° Vertical Bends

- Used to make a smooth, 90° vertical change in runway direction
- Made of 1½" x ¾" ASTM A36 steel solid bar stringers and ASTM A513 grade 1008 structural steel tubing rungs
- All finishes are UL Classified as an equipment grounding conductor - file number E60548
- Universal design to handle both inside and outside bends with one part
- Four inside and outside rungs welded at 26° increments
- Smooth 12" (305mm) inside radius
- Connects to runway sections using standard runway splices
- Slotted splice attachment holes provided for use with SB2135 series heavy duty splice plates
- Compatible with "C"-channel, tubular, and solid bar cable runway
- Range of widths from 6" (152mm) to 36" (914mm)
- Finish ____: Flat black powder coat (FB)
Telco gray powder coat (TG)
Yellow zinc (YZ)



1½" (38mm) Stringers

Part Number	Runway Width		Weight	
	In.	(mm)	Lbs.	(kg)
SB17VRB06__	6"	(152)	10.7	(4.85)
SB17VRB09__	9"	(228)	12.1	(5.49)
SB17VRB12__	12"	(305)	13.5	(6.12)
SB17VRB15__	15"	(381)	14.8	(6.71)
SB17VRB18__	18"	(457)	16.2	(7.35)
SB17VRB20__	20"	(508)	17.1	(7.75)
SB17VRB24__	24"	(609)	19.0	(8.62)
SB17VRB30__	30"	(762)	21.8	(9.89)
SB17VRB36__	36"	(914)	24.5	(11.11)

Specify part number and finish when ordering.

2" (51mm) Stringers

Part Number	Runway Width		Weight	
	In.	(mm)	Lbs.	(kg)
SB16VRB06__	6"	(152)	13.2	(5.98)
SB16VRB09__	9"	(228)	15.0	(6.80)
SB16VRB12__	12"	(305)	16.4	(7.44)
SB16VRB15__	15"	(381)	18.0	(8.06)
SB16VRB18__	18"	(457)	19.5	(8.84)
SB16VRB20__	20"	(508)	20.5	(9.30)
SB16VRB24__	24"	(609)	22.0	(9.98)
SB16VRB30__	30"	(762)	25.0	11.34)
SB16VRB36__	36"	(914)	28.0	(12.70)

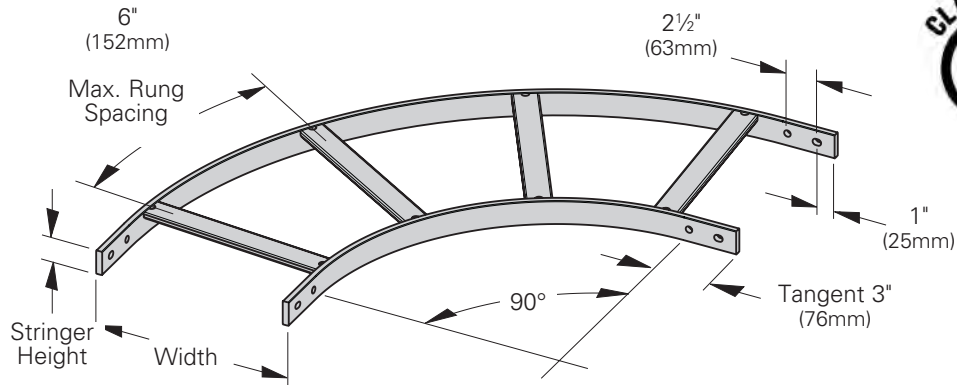
Specify part number and finish when ordering.

Cable runway & accessories

Cable Runway & Accessories

90° Horizontal Bends

- Used to make a smooth, 90° horizontal change in runway direction
- Made of 1½" x ⅜" ASTM A36 steel solid bar stringers and ASTM A513 grade 1008 structural steel tubing rungs
- All finishes are UL Classified as an equipment grounding conductor - file number E60548
- Smooth 15" (381mm) inside radius
- Connects to runway sections using standard runway splices
- Attachment holes provided for use with SB2135 series heavy duty splice plates
- Compatible with "C"-channel, tubular, and solid bar cable runway
- Range of widths from 6" (152mm) to 36" (914mm)
- Finish ____: Flat black powder coat (FB)
Telco gray powder coat (TG)
Yellow zinc (YZ)



1½" (38mm) Stringers

Part Number	Runway Width		Weight	
	In.	(mm)	Lbs.	(kg)
SB17HRB06__	6"	(152)	12.0	(5.44)
SB17HRB09__	9"	(228)	13.5	(6.12)
SB17HRB12__	12"	(305)	14.9	(6.76)
SB17HRB15__	15"	(381)	17.2	(7.80)
SB17HRB18__	18"	(457)	18.8	(8.53)
SB17HRB20__	20"	(508)	19.8	(8.98)
SB17HRB24__	24"	(609)	23.3	(10.57)
SB17HRB30__	30"	(762)	26.9	(12.20)
SB17HRB36__	36"	(914)	30.4	(13.79)

Specify part number and finish when ordering.

2" (351mm) Stringers

Part Number	Runway Width		Weight	
	In.	(mm)	Lbs.	(kg)
SB16HRB06__	6"	(152)	15.7	(7.12)
SB16HRB09__	9"	(228)	17.4	(7.89)
SB16HRB12__	12"	(305)	19.1	(8.66)
SB16HRB15__	15"	(381)	20.8	(9.43)
SB16HRB18__	18"	(457)	22.5	(10.20)
SB16HRB20__	20"	(508)	23.6	(10.70)
SB16HRB24__	24"	(609)	25.9	(11.75)
SB16HRB30__	30"	(762)	29.2	(13.24)
SB16HRB36__	36"	(914)	31.7	(14.38)

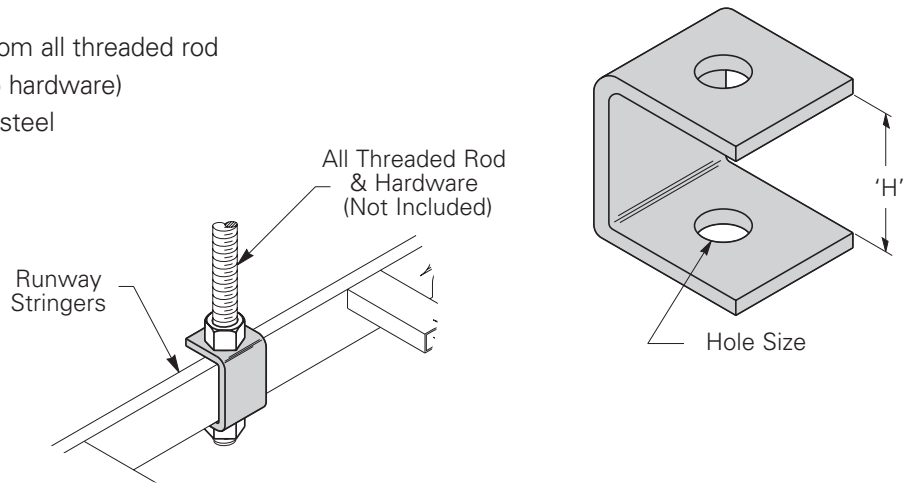
Specify part number and finish when ordering.

Cable runway & accessories

Cable Runway & Accessories

Runway Support

- Use to suspend cable runway from all threaded rod
- Includes one hanger support (no hardware)
- Material: ASTM A570 structural steel
- Finish___: Black zinc (BZ)
Yellow zinc (YZ)

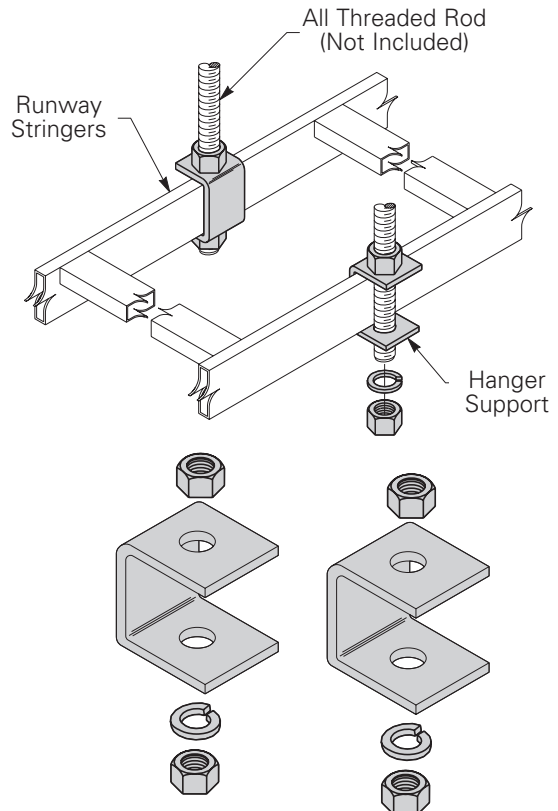


Part Number	Runway Height		'H'		ATR Size	Hole Size		Weight	
	In.	(mm)	In.	(mm)		In.	(mm)	Lbs.	(kg)
SB156A ___	1 1/2"	(38)	1 9/16"	(39.7)	1/2"-13	1 7/32"	(13.5)	0.34	(0.15)
SB156A2 ___	2"	(51)	2 1/16"	(52.4)	1/2"-13	1 7/32"	(13.5)	0.34	(0.15)
SB156B ___	1 1/2"	(38)	1 9/16"	(39.7)	5/8"-11	2 1/32"	(16.6)	0.34	(0.15)
SB156B2 ___	2"	(51)	2 1/16"	(52.4)	5/8"-11	2 1/32"	(16.6)	0.34	(0.15)

Specify part number and finish when ordering.

Runway Support Kit

- Use to suspend cable runway from all threaded rod
- Includes two hanger supports and hardware
- Material: ASTM A570 structural steel
- Finish___: Black zinc (BZ)
Yellow zinc (YZ)



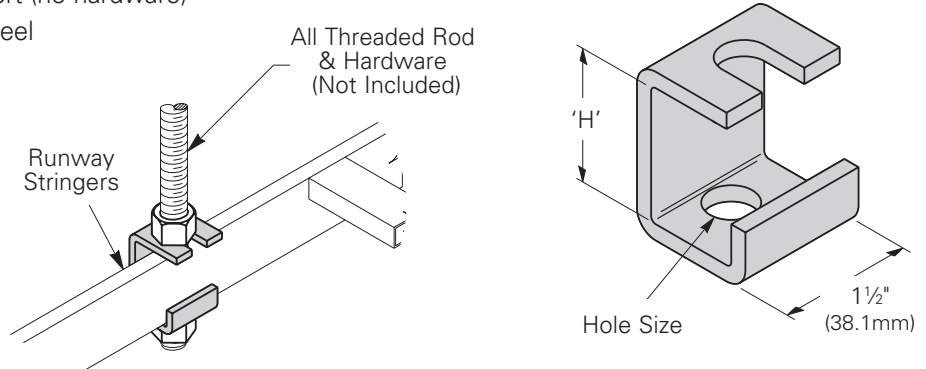
Part Number	Runway Height		ATR Size	Weight	
	In.	(mm)		Lbs.	(kg)
SB2116A ___	1 1/2"	(38)	5/8"-11	0.76	(0.34)
SB2116A2 ___	2"	(51)	5/8"-11	0.76	(0.34)
SB2116D ___	1 1/2"	(38)	1/2"-13	0.76	(0.34)
SB2116D2 ___	2"	(51)	1/2"-13	0.76	(0.34)

Specify part number and finish when ordering.

Cable Runway & Accessories

Slotted Runway Support

- Use to suspend cable runway from all threaded rod
- Includes one slotted hanger support (no hardware)
- Material: ASTM A570 structural steel
- Finish___: Black Zinc (BZ)
Yellow Zinc (YZ)

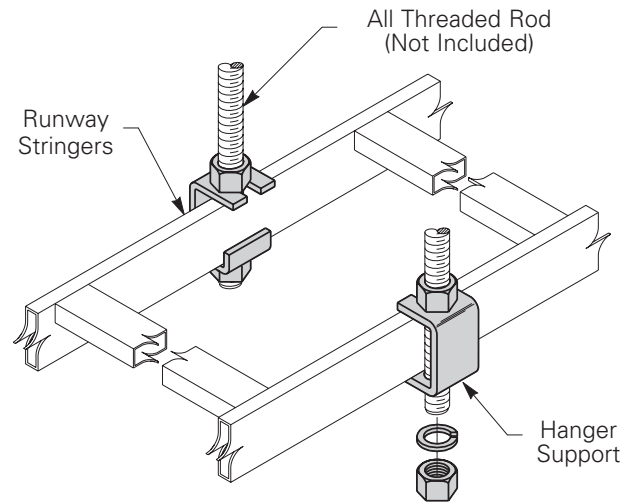


Part Number	Runway Height		'H'		ATR Size	Hole Size		Weight	
	In.	(mm)	In.	(mm)		In.	(mm)	Lbs.	(kg)
SB157A___	1 1/2"	(38)	1 9/16"	(39.7)	1/2"-13	9/16"	(14.3)	0.34	(0.15)
SB157A2___	2"	(51)	2 1/16"	(52.4)	1/2"-13	9/16"	(14.3)	0.34	(0.15)
SB157B___	1 1/2"	(38)	1 9/16"	(39.7)	5/8"-11	1 1/16"	(17.5)	0.34	(0.15)
SB157B2___	2"	(51)	2 1/16"	(52.4)	5/8"-11	1 1/16"	(17.5)	0.34	(0.15)

Specify part number and finish when ordering.

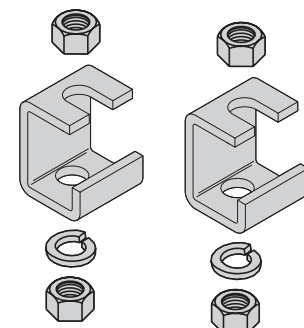
Slotted Runway Support Kit

- Use to suspend cable runway from all threaded rod
- Slotted hanger support design allows easier cable runway installation
- Includes two slotted hanger supports and hardware
- Material: ASTM A570 structural steel
- Finish___: Black zinc (BZ)
Yellow zinc (YZ)



Part Number	Runway Height		ATR Size	Weight	
	In.	(mm)		Lbs.	(kg)
SB2118A___	1 1/2"	(38)	5/8"-11	0.52	(0.23)
SB2118A2___	2"	(51)	5/8"-11	0.60	(0.27)
SB2118D___	1 1/2"	(38)	1/2"-13	0.71	(0.32)
SB2118D2___	2"	(51)	1/2"-13	0.80	(0.36)

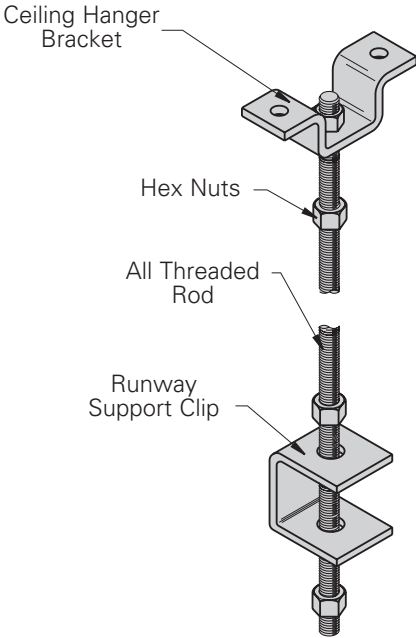
Specify part number and finish when ordering.



Cable Runway & Accessories

Runway To Ceiling Kit

- Use to suspend cable runway paths from a ceiling
- Includes: (1) 72" (1829mm) section of all threaded rod, (1) ceiling hanger bracket, (1) runway support clip and (4) hex nuts
- Available in 3/8"-16 (SB2221A) or 5/8"-11 (SB2221C) threaded rod sizes. Other sizes available upon request
- Finish___: Black zinc (BZ)
Yellow zinc (YZ)



Part Number	Runway Height		ATR Size	Weight	
	In.	(mm)		Lbs.	(kg)
SB2221A__	1½"	(38)	3/8"-16	2.7	(1.22)
SB2221C__	1½"	(38)	5/8"-11	6.5	(2.95)

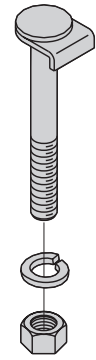
Specify part number and finish when ordering.

Cable Runway & Accessories

'J' Clip

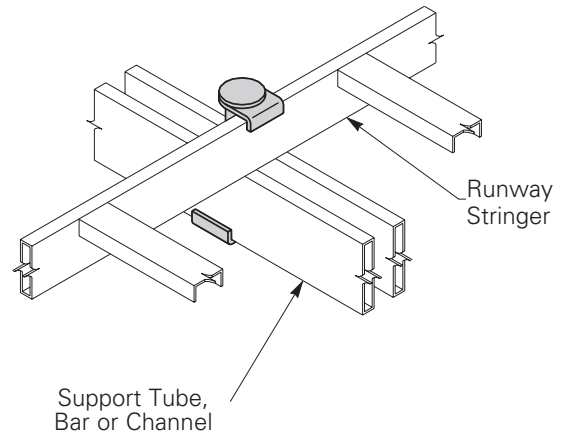
- Use to attach cable runway to auxiliary support
- SB107 & SB1072 each include one (1) "J" clip and hardware as shown
- Material: ASTM A570 structural steel
- Finish___: Black zinc (BZ)
Yellow zinc (YZ)

Part Number	Runway Height In. (mm)	Use With Support Structure	Weight	
			Lbs.	(kg)
SB107___	1½" (38)	¾" (9mm) x 1½" (38mm) runway	0.5	(0.22)
SB1072___	2" (51)	¾" (9mm) x 2" (51mm) runway	0.5	(0.22)



SB107

Specify part number and finish when ordering.



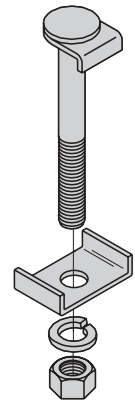
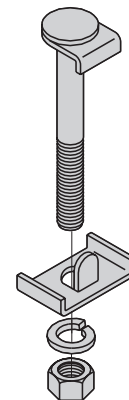
'J' Clip Kit

- Use to attach cable grid or cable runway to auxiliary support where rung of cable grid or cable runway is directly positioned over support tube, bar or channel
- SB2003A, SB2003B, SB2003A2, & SB2003B2 include one (1) "J" clip, one (1) framing clip, and hardware as shown
- Material: ASTM A570 structural steel
- Finish ___: Black zinc (BZ)
Yellow zinc (YZ)

Part Number	Runway Height In. (mm)	Use With Support Structure	Weight	
			Lbs.	(kg)
SB2003A___	1½" (38)	⅞" (14mm) x 2" (51mm) tube or channel	0.5	(0.22)
SB2003B___	1½" (38)	¾" (9mm) x 2" (51mm) bar	0.5	(0.22)
SB2003A2___	2" (51)	⅞" (14mm) x 2" (51mm) tube or channel	0.5	(0.22)
SB2003B2___	2" (51)	¾" (9mm) x 2" (51mm) bar	0.5	(0.22)

SB2003A

SB2003B

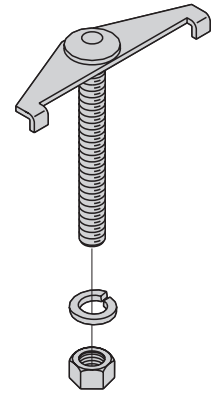


Specify part number and finish when ordering.

Cable Runway & Accessories

Spanner Clip

- Use to attach cable grid or cable runway to auxiliary support
- Used where rung of cable grid or cable runway is directly positioned over support tube, bar or channel
- SB107A and SB107A2 each include one (1) spanner clip and hardware as shown
- Material: ASTM A570 structural steel
- Finish___: Black zinc (BZ)
Yellow zinc (YZ)



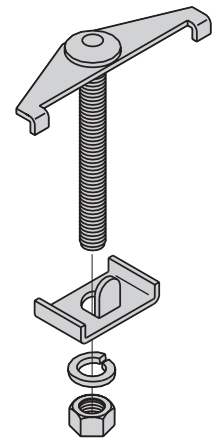
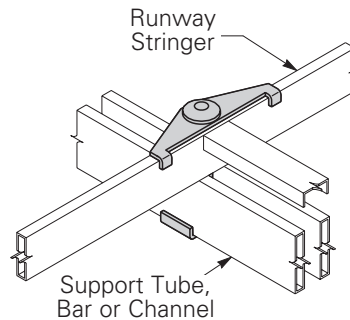
SB107A

Part Number	Runway Height		Use With Support Structure	Weight	
	In.	(mm)		Lbs.	(kg)
SB107A__	1½"	(38)	¾" (9mm) x 1½" (38mm) runway	0.5	(0.22)
SB107A2__	2"	(51)	¾" (9mm) x 2" (38mm) runway	0.5	(0.22)

Specify part number and finish when ordering.

Spanner Clip Kit

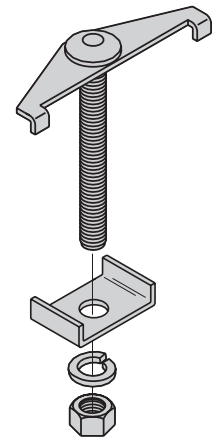
- Use to attach cable grid or cable runway to auxiliary support
- Used where rung of cable grid or cable runway is directly positioned over support tube, bar or channel
- SB2003E, SB2003E2, SB2003F & SB2003F2 include one (1) spanner clip, one (1) framing clip, and hardware as shown
- Material: ASTM A570 structural steel
- Finish ___: Black zinc (BZ)
Yellow zinc (YZ)



SB2003E Series

Part Number	Runway Height		Use With Support Structure	Weight	
	In.	(mm)		Lbs.	(kg)
SB2003E__	1½"	(38)	9/16" (14mm) x 2" (51mm) tube or channel	0.6	(0.27)
SB2003F__	1½"	(38)	¾" (9mm) x 2" (51mm) bar	0.6	(0.27)
SB2003E2__	2"	(38)	9/16" (14mm) x 2" (51mm) tube or channel	0.6	(0.27)
SB2003F2__	2"	(38)	¾" (9mm) x 2" (51mm) bar	0.6	(0.27)

Specify part number and finish when ordering.

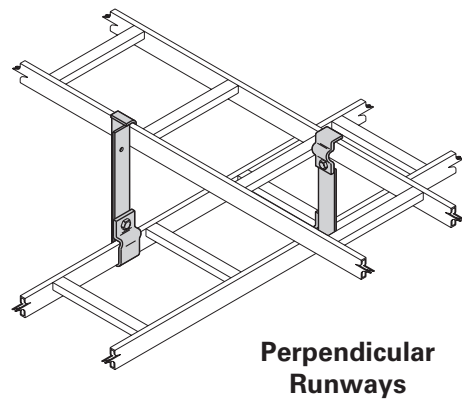
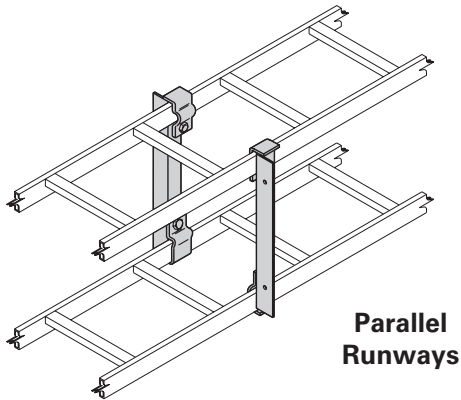
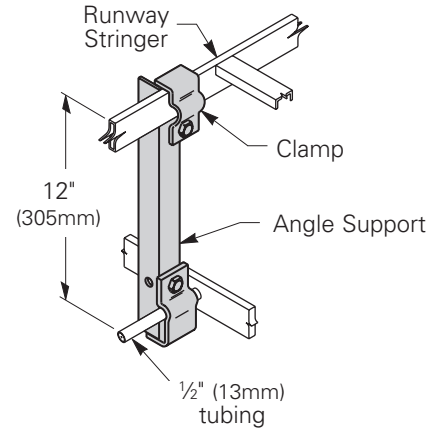


SB2003F Series

Cable Runway & Accessories

Runway Standoff Support

- Use to support or suspend one cable grid or runway from another
- Provides 12" (305mm) spacing between decks
- Designed for parallel or perpendicular runways
- Includes: (2) angle supports, (4) clamps and $\frac{3}{8}$ "-16 hardware
- Material: Support & Clamps - ASTM A36 structural steel
- Note: For vertical support only. Diagonal bracing may be required
- Finish___: Black zinc (BZ)
Yellow zinc (YZ)



Part Number	Runway Height		Weight	
	In.	(mm)	Lbs.	(kg)
SB2125 ___	1½"	(38)	5.0	(2.26)
SB21252 ___	2"	(51)	5.0	(2.26)

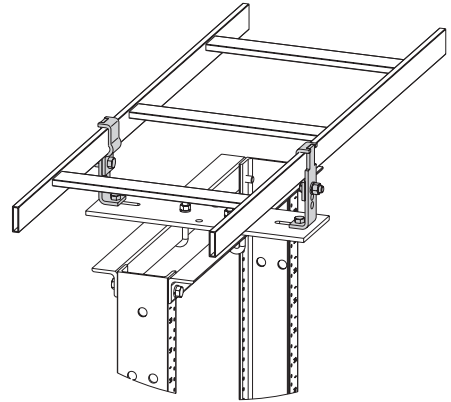
Specify part number and finish when ordering.

Cable Runway & Accessories

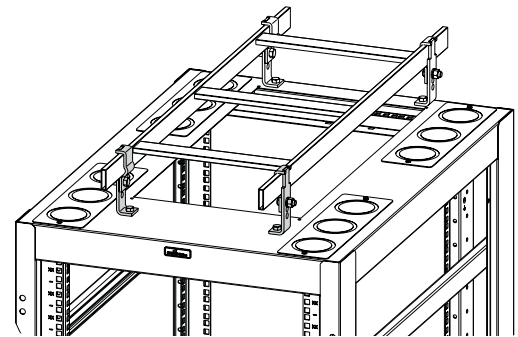
Runway Stand-Off Kit

- Use to provide additional space between the top of racks and enclosures over standard runway attachment devices
- Elevation kits options are 2" (51mm), 2½" (63mm) or 3" (76mm) and 4" (101mm), 5" (127mm) or 6" (152mm)
- Can be installed to accommodate perpendicular or parallel pathway orientations
- Rack elevation kits include: (1) pair of brackets and assembly hardware
- Cabinet elevation kits include: (2) pair of brackets and assembly hardware
- Rack elevation kits attach to SB2133 or SB2134 series top plate runway support kits (sold separately)
- Cabinet elevation kits attach directly to the cabinets

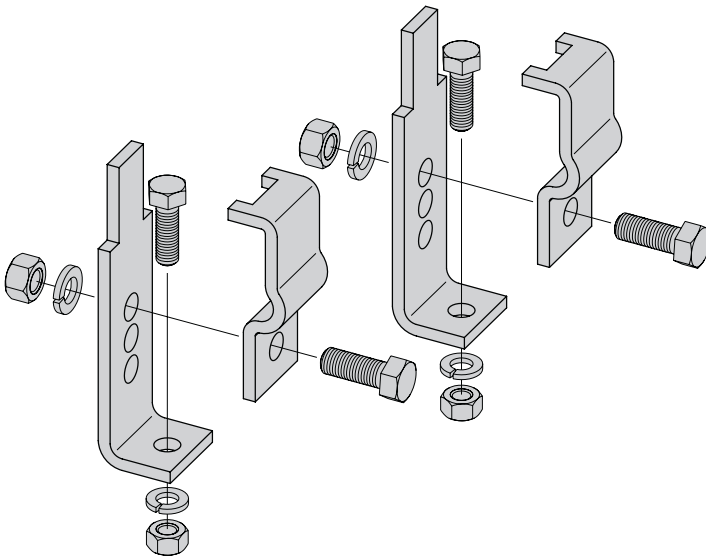
- Finish ____: Flat black powder coat (FB)
Telco gray powder coat (TG)
Yellow zinc (YZ)



Two-Post Rack Application



Enclosure Application



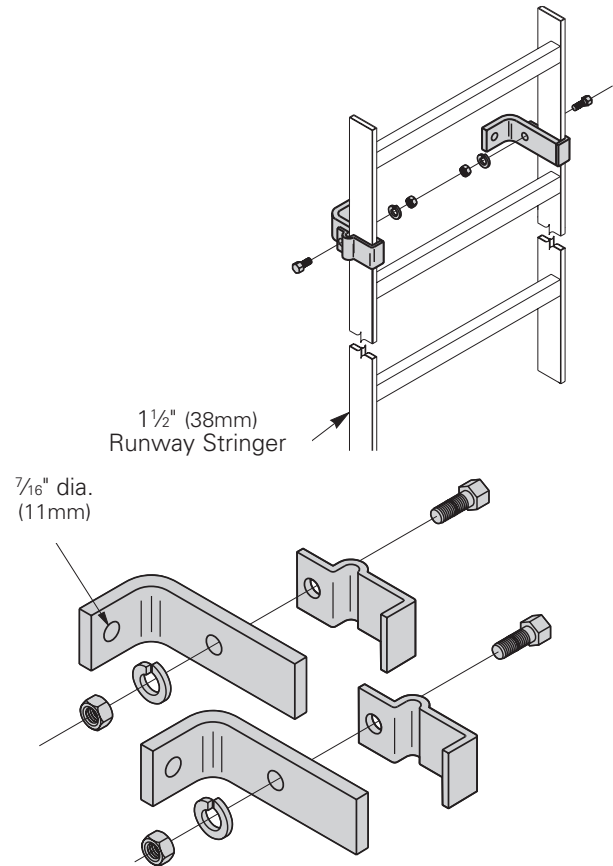
Part Number	Application	Runway Height		Elevation Settings		Weight	
		In.	(mm)	In.	(mm)	Lbs.	(kg)
SB227R3__	Two-Post Rack	1½"	(38)	2", 2½", & 3"	(51, 63, & 76)	1.5	(0.68)
SB227R6__	Two-Post Rack	1½"	(38)	4", 5", & 6"	(101, 127, & 152)	1.5	(0.68)
SB227E3__	Enclosures	1½"	(38)	2", 2½", & 3"	(51, 63, & 76)	1.5	(0.68)
SB227E6__	Enclosures	1½"	(38)	4", 5", & 6"	(101, 127, & 152)	1.5	(0.68)
SB227R32__	Two-Post Rack	2"	(51)	2", 2½", & 3"	(51, 63, & 76)	1.6	(0.73)
SB227R62__	Two-Post Rack	2"	(51)	4", 5", & 6"	(101, 127, & 152)	2.0	(0.91)
SB227E32__	Enclosures	2"	(51)	2", 2½", & 3"	(51, 63, & 76)	2.6	(1.18)
SB227E62__	Enclosures	2"	(51)	4", 5", & 6"	(101, 127, & 152)	3.3	(1.50)

Specify part number and finish when ordering.

Cable Runway & Accessories

Runway Stand-Off Kit

- Use to secure cable runway to wall, floor or ceiling
- Provides 2½" (63mm) clearance
- Order anchors separately
- Includes: (2) stand-off supports and ¾"-16 hardware
- Material: ASTM A36 structural steel
- Finish ____: Flat black powder coat (FB)
Telco gray powder coat (TG)
Yellow zinc (YZ)

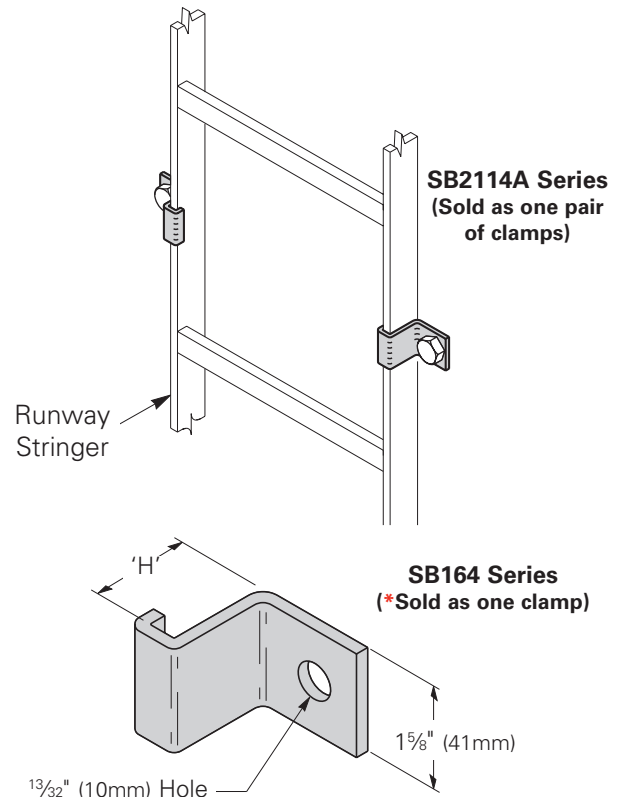


Part Number	Runway Height		Weight	
	In.	(mm)	Lbs.	(kg)
SB2109__	1½"	(38)	2.2	(1.0)
SB21092__	2"	(51)	2.5	(1.1)

Specify part number and finish when ordering.

Runway Hold-Down Clamp Kit

- Use to secure cable runway to wall, floor, ceiling or strut
- Order anchors separately
- SB2114A Series include (2) wall clamps
- SB164 Series include (1) wall clamp
- Material: 11 Ga. (3.0mm) ASTM A570 structural steel
- Finish ____: Flat black powder coat (FB)
Telco gray powder coat (TG)
Yellow zinc (YZ)



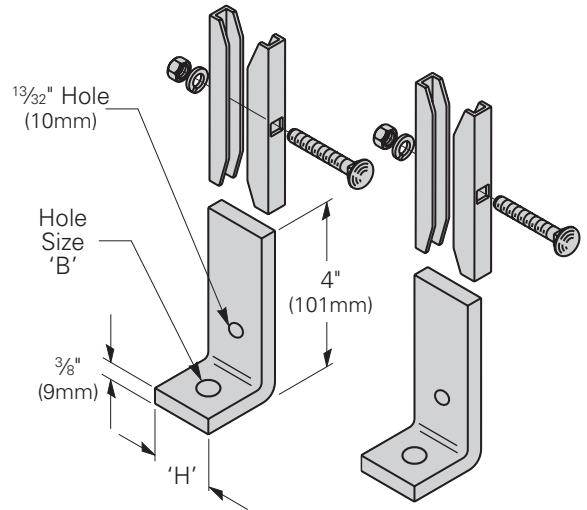
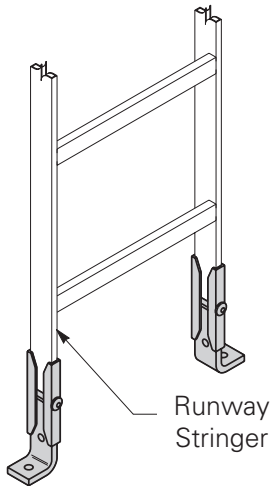
Part Number	Runway Height 'H'		Weight	
	In.	(mm)	Lbs.	(kg)
SB2114A__	1½"	(38)	0.54	(0.24)
SB2114A2__	2"	(51)	0.65	(0.29)
SB1641½__*	1½"	(38)	0.27	(0.12)
SB1642__*	2"	(51)	0.32	(0.14)

Specify part number and finish when ordering.

Cable Runway & Accessories

Runway Foot Kit

- Use to secure cable runway to floor, ceiling, or wall
- Order anchors separately
- Includes: (2) end supports, (2) clamps and 5/16"-18 hardware
- Material: ASTM A36 structural steel
- UL Classified - file number E60548
- Finish___: Black zinc (BZ)
Yellow zinc (YZ)

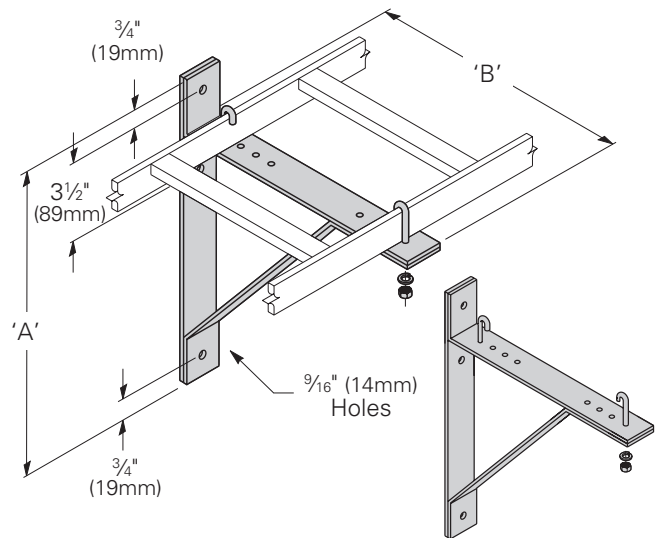


Part Number	Runway Height 'H'		Hole Size 'B'		Weight	
	In.	(mm)	In.	(mm)	Lbs.	(kg)
SB2106A ___	1½"	(38)	7/16"	(11)	2.60	(1.18)
SB2106A2 ___	2"	(51)	7/16"	(11)	2.64	(1.20)
SB2106B ___	1½"	(38)	9/16"	(14)	2.60	(1.18)
SB2106B2 ___	2"	(51)	9/16"	(14)	2.64	(1.20)

Specify part number and finish when ordering.

Triangular Runway Wall Support Kit

- Use to support cable runway from wall
- Sized for both 1½" (38mm) & 2" (51mm) stringers
- Welded steel construction
- Designed for 6" (152mm), 9" (228mm) 12" (305mm), and 18" (457mm) cable runways
- Order anchors separately
- See SB214 for larger sizes
- Support width: 2" (51mm)
- Includes: (1) wall support, (2) "J" bolts, and 5/16"-18 hardware
- Material: ASTM A36 structural steel
- See page ii for link to OPM approvals
- Finish ___: Flat black powder coat (FB)
Telco gray powder coat (TG)
Yellow zinc (YZ)



Part Number Steel	Runway Width 'W'		'A'		'B'		Weight	
	In.	(mm)	In.	(mm)	In.	(mm)	Lbs.	(kg)
SB21306K ___	6"	(152)	10"	(254)	77/8"	(254)	3.8	(1.7)
SB21312K ___	6" - 12"	(152 - 305)	137/8"	(254)	137/8"	(292)	5.9	(2.7)
SB21318K ___	12" - 18"	(305 - 457)	197/8"	(254)	197/8"	(368)	8.8	(4.0)

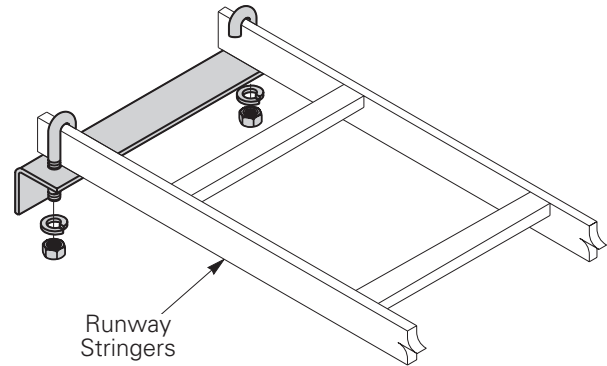
Specify part number and finish when ordering.

Cable runway & accessories

Cable Runway & Accessories

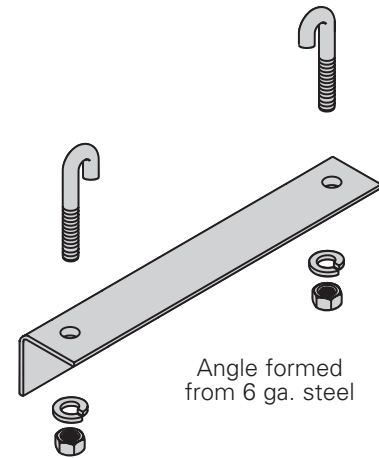
Runway Wall Angle Support Kit

- Use to secure cable runway to a wall
- Sized for both 1½" (38mm) & 2" (51mm) stringers
- Order anchors separately
- Includes: (1) angle bracket,
(2) "J" Bolts and 5/16"-18 hardware
- Material: 6 Gauge ASTM A569 steel
- Finish ____: Flat black powder coat (FB)
Telco gray powder coat (TG)
Yellow zinc (YZ)



Part Number	Runway Width		Weight	
	In.	(mm)	Lbs.	(kg)
SB211306__	6"	(152)	2.10	(0.95)
SB211309__	9"	(228)	2.60	(1.18)
SB211312__	12"	(305)	3.70	(1.68)
SB211315__	15"	(381)	4.50	(2.04)
SB211318__	18"	(457)	5.40	(2.45)
SB211320__	20"	(508)	6.00	(2.72)
SB211324__	24"	(609)	7.20	(3.26)
SB211330__	30"	(762)	9.00	(4.08)
SB211336__	36"	(914)	10.80	(4.90)

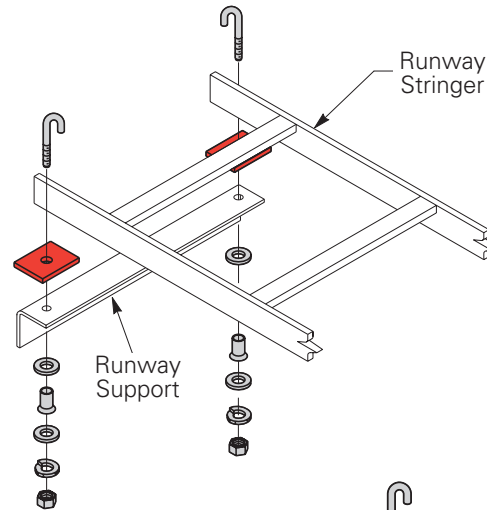
Specify part number and finish when ordering.



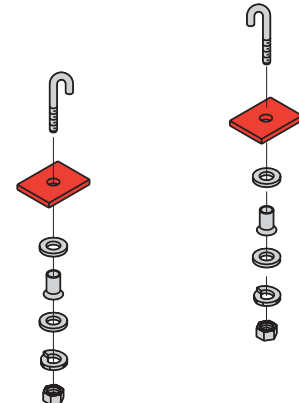
Angle formed from 6 ga. steel

Runway Wall Support Isolation Kit

- Use to secure and provide electrical isolation of cable runway to wall support
- Includes: (2) pads, (2) "J" Bolts, (2) sleeve kits and hardware
- Material: Polyester fiberglass - pad
6/6 Nylon - sleeve
steel - "J" Bolt and hardware
- Finish: Pad - Red
Sleeve - Natural
J-Bolts and hardware - Yellow Zinc (YZ)



Part Number	Runway Height		Weight	
	In.	(mm)	Lbs.	(kg)
SB2501	1½"	(38)	0.20	(0.09)

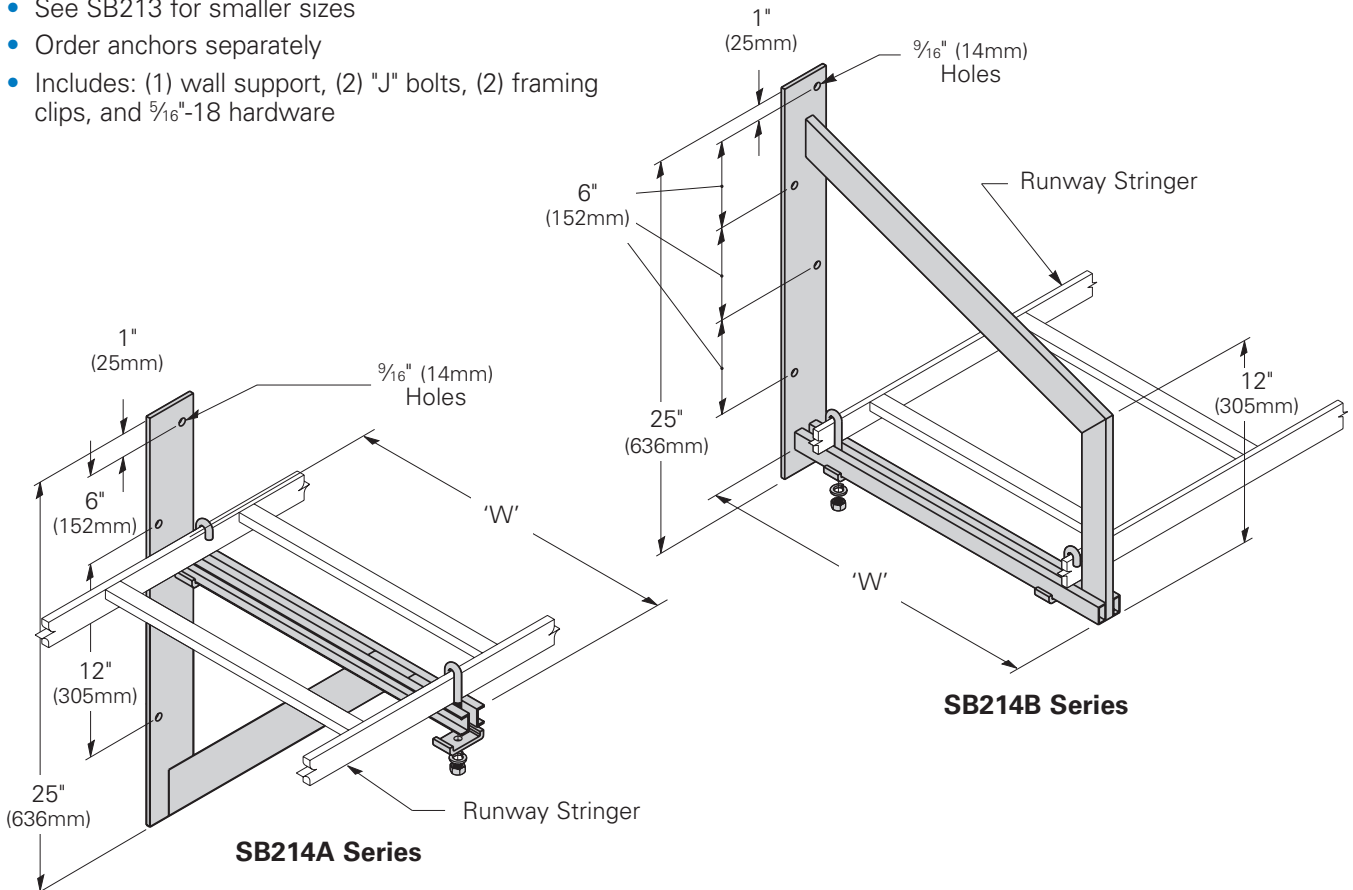


Cable runway & accessories

Cable Runway & Accessories

Runway Wall Support

- Use to support cable runway from wall
- Sized for both 1½" (38mm) & 2" (51mm) stringers
- Welded steel construction
- Designed for 15" (381mm), 18" (457mm), and 24" (609mm) cable runways
- See SB213 for smaller sizes
- Order anchors separately
- Includes: (1) wall support, (2) "J" bolts, (2) framing clips, and 5/16"-18 hardware
- Material: ASTM A36 structural steel
- Finish ____: Flat black powder coat (FB)
Telco gray powder coat (TG)
Yellow zinc (YZ)



SB214A Series

Part Number	Runway Width		'W' Bracket Width		Weight	
	In.	(mm)	In.	(mm)	Lbs.	(kg)
SB214A15K__	15"	(381)	18"	(457)	9.0	(4.1)
SB214A18K__	18"	(457)	21"	(533)	9.3	(4.2)
SB214A24K__	24"	(609)	27"	(686)	10.0	(4.5)

SB214B Series

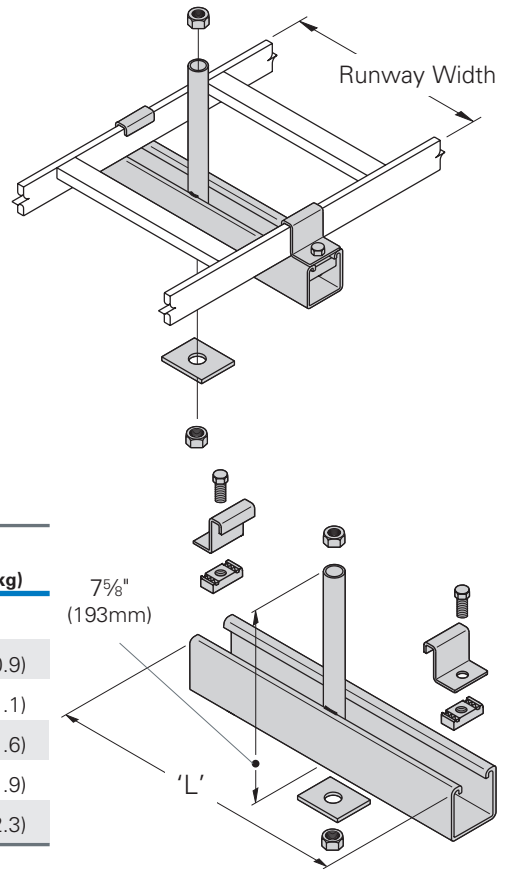
Part Number	Runway Width		'W' Bracket Width		Weight	
	In.	(mm)	In.	(mm)	Lbs.	(kg)
SB214B15K__	15"	(381)	18"	(457)	10.0	(4.5)
SB214B18K__	18"	(457)	21"	(533)	10.5	(4.7)
SB214B24K__	24"	(609)	27"	(686)	11.4	(5.2)

Specify part number and finish when ordering.

Cable Runway & Accessories

Cable Runway Center Hung Supports

- Used to support cable runways
- For use with 1/2"-13 or 5/8"-11 threaded rod
- Welded steel construction
- Includes: (1) support, (2) hold-down clamps, (2) HHCS, (2) channel nuts, (1) square washer, (2) 1/2"-13 hex nuts, and (2) 5/8"-11 hex nuts
- Material: ASTM A570 structural steel
- Finish ____: Flat black powder coat (FB)
Telco gray powder coat (TG)
Yellow zinc (YZ)

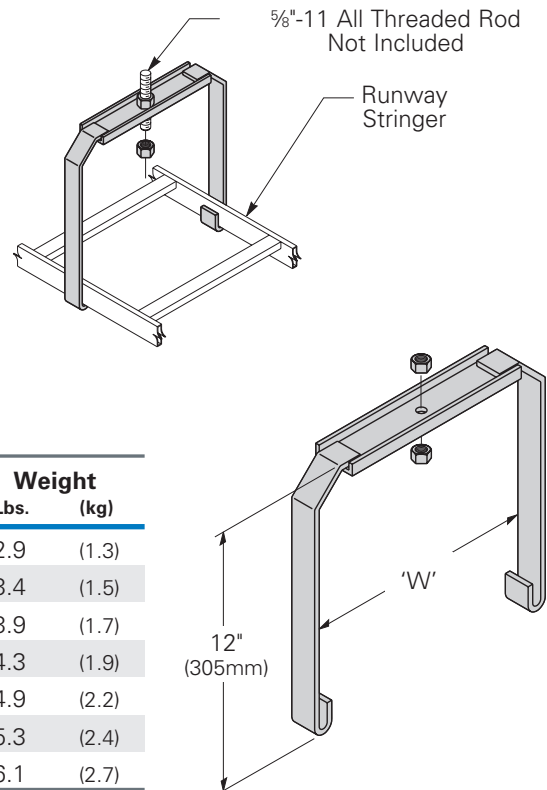


Part Number	Runway Width In. (mm)	'L' In. (mm)	Weight Lbs. (kg)
For 3/8" (9mm) x 1 1/2" (38mm) Stringers			
SB2127S06__	6" (152)	9" (228)	2.0 (0.9)
SB2127S09__	9" (228)	12" (305)	2.5 (1.1)
SB2127S15__	12" - 15" (305-381)	18" (457)	3.5 (1.6)
SB2127S20__	18" - 20" (457-508)	23" (584)	4.3 (1.9)
SB2127S24__	24" (609)	27" (686)	5.0 (2.3)

Specify part number and finish when ordering.

Runway Center Support Hanger Kit

- Use to suspend cable runway from a single all threaded rod
- Welded steel construction
- Includes: (1) center support and (2) 5/8"-11 hex nuts
- Material: ASTM A36 structural steel
- Finish ____: Flat black powder coat (FB)
Telco gray powder coat (TG)
Yellow zinc (YZ)



Part Number	Runway Width In. (mm)	'W' In. (mm)	Weight Lbs. (kg)
SB212706A__	6" (152)	6 1/8" (155)	2.9 (1.3)
SB212709A__	9" (228)	9 1/8" (232)	3.4 (1.5)
SB212712A__	12" (305)	12 1/8" (308)	3.9 (1.7)
SB212715A__	15" (381)	15 1/8" (384)	4.3 (1.9)
SB212718A__	18" (457)	18 1/8" (460)	4.9 (2.2)
SB212720A__	20" (508)	20 1/8" (511)	5.3 (2.4)
SB212724A__	24" (609)	24 1/8" (613)	6.1 (2.7)

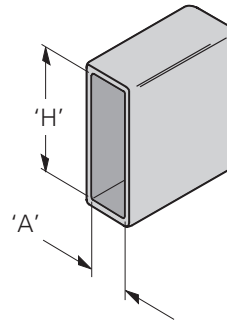
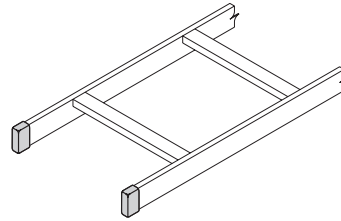
Specify part number and finish when ordering.

Cable runway & accessories

Cable Runway & Accessories

PVC End Cap

- Use as a protective covering for stringer ends of cable runway
- Sold in packages of 10
- Meets UL 94 flame resistance requirement
- Material: Black PVC plastic

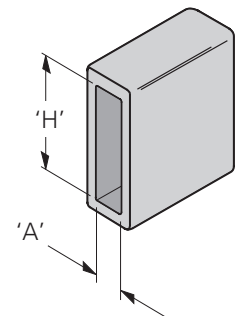
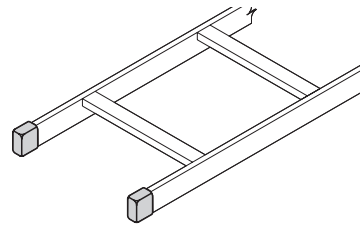


Part Number	Stringer Size 'A' x 'H'		Weight	
	In.	(mm)	Lbs.	(kg)
SB110A1BK	3/8" x 1 1/2"	(9 x 38)	.013	(0.006)

Neoprene End Caps

- Use as a protective covering for stringer ends of cable runway
- Sold in packages of 10
- Meets UL 94 flame resistance requirement
- Material: Neoprene
- Color: Black

Note: Sold in bulk pack of 100 (add -100 to part number) Example: SB21A100. Sold in bulk pack of 2 (add -2 to part number) Example: SB21A2.

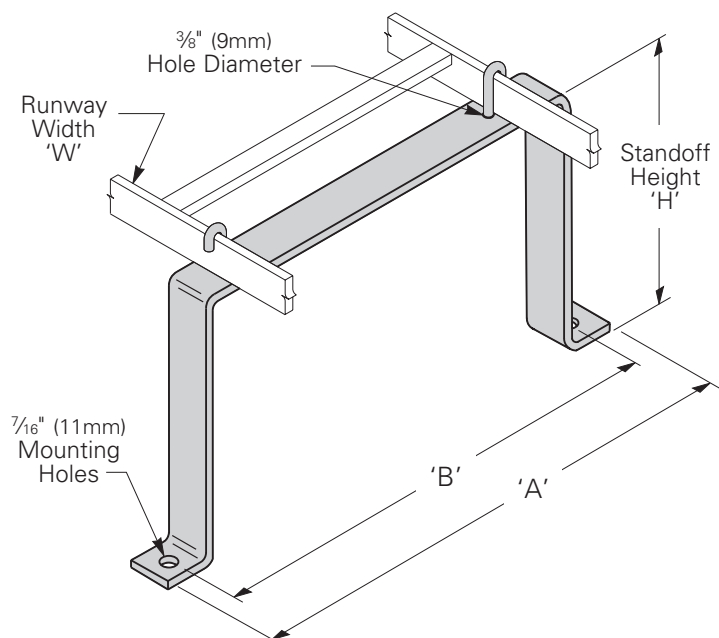


Part Number	'A'		"H"		Weight Per 10		For Use With
	In.	(mm)	In.	(mm)	Lbs.	(kg)	
SB21	9/16"	(14)	2"	(51)	0.8	(0.36)	SB20 or SB22
SB21A	3/8"	(9)	2"	(51)	0.4	(0.18)	SB16 or SB23
SB21B	3/8"	(9)	1 1/2"	(38)	0.3	(0.13)	SB15 or SB17
SB21C	2"	(51)	1"	(25)	1.0	(0.45)	SB24

Cable Runway & Accessories

Runway Support

- Use to support cable runway from equipment cabinets, floor, or wall
- Includes $\frac{5}{16}$ " "J" bolts and nuts. Anchors sold separately
- Material: ASTM A36 structural steel
- Finish ____: Flat black powder coat (FB)
Telco gray powder coat (TG)
Yellow zinc (YZ)



Part Number	'W'		'A'		'B'		'H'		Weight	
	In.	(mm)	In.	(mm)	In.	(mm)	In.	(mm)	Lbs.	(kg)
SB2260602							2"	(51)	1.1	(0.50)
SB2260604							4"	(101)	1.4	(0.63)
SB2260606							6"	(152)	1.7	(0.77)
SB2260608	6"	(152)	9 $\frac{3}{4}$ "	(247)	7"	(178)	8"	(203)	2.1	(0.95)
SB2260610							10"	(254)	2.4	(1.09)
SB2260612							12"	(305)	2.7	(1.22)

Specify part number and finish when ordering.

Chart for SB226 series continued on next page.

Cable Runway & Accessories

Chart continued from previous page.

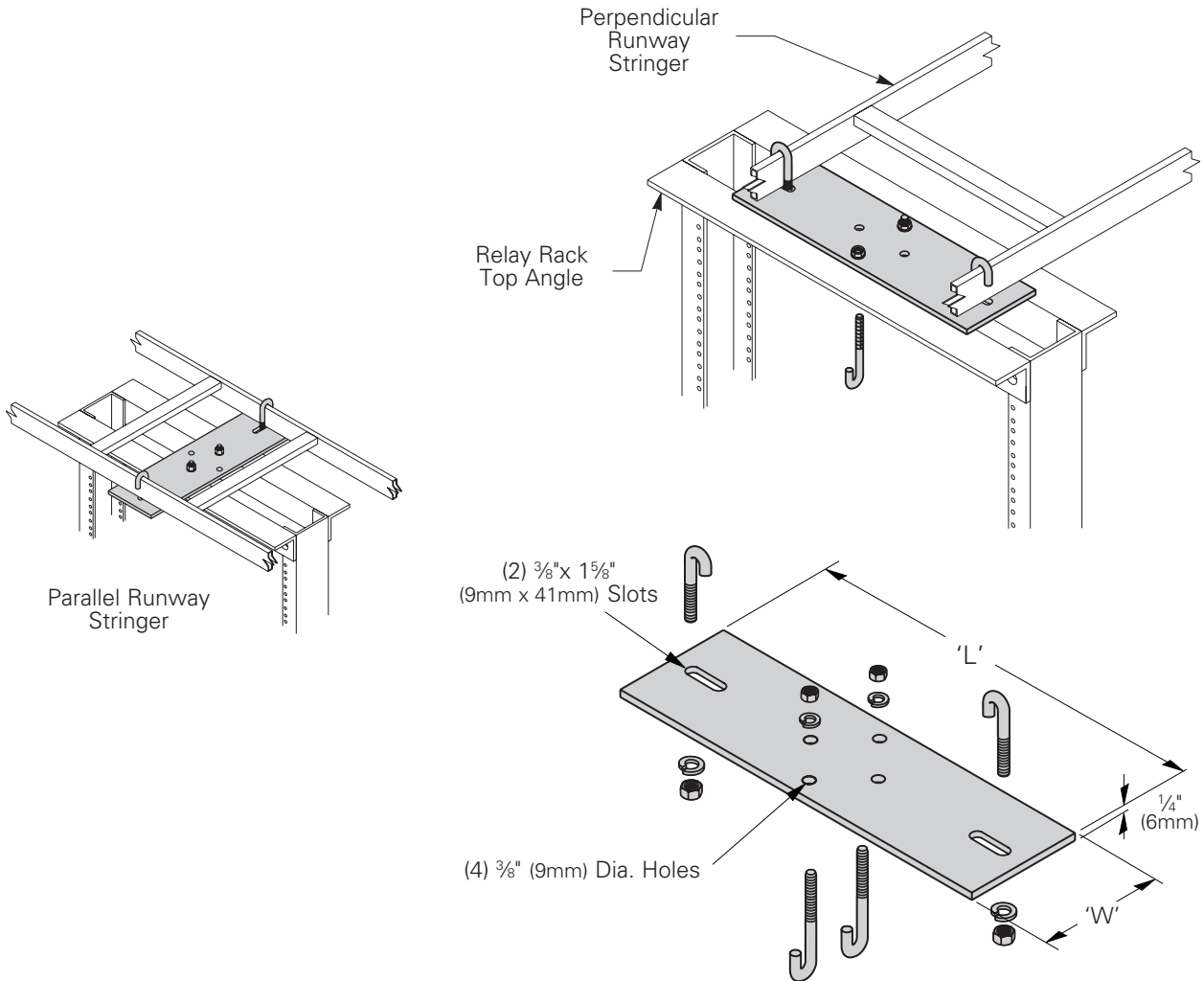
Part Number	'W'		'A'		'B'		'H'		Weight	
	In.	(mm)	In.	(mm)	In.	(mm)	In.	(mm)	Lbs.	(kg)
SB2260902__	9"	(228)	12 ³ / ₄ "	(324)	10"	(254)	2"	(51)	1.3	(0.59)
SB2260904__							4"	(101)	1.7	(0.77)
SB2260906__							6"	(152)	2.0	(0.91)
SB2260908__							8"	(203)	2.3	(1.04)
SB2260910__							10"	(254)	2.6	(1.18)
SB2260912__							12"	(305)	2.9	(1.31)
SB2261202__	12"	(305)	15 ³ / ₄ "	(400)	13"	(330)	2"	(51)	1.6	(0.72)
SB2261204__							4"	(101)	1.9	(0.86)
SB2261206__							6"	(152)	2.2	(1.00)
SB2261208__							8"	(203)	2.5	(1.13)
SB2261210__							10"	(254)	2.8	(1.27)
SB2261212__							12"	(305)	3.2	(1.45)
SB2261502__	15"	(381)	18 ³ / ₄ "	(476)	16"	(406)	2"	(51)	1.8	(0.81)
SB2261504__							4"	(101)	2.1	(0.95)
SB2261506__							6"	(152)	2.4	(1.09)
SB2261508__							8"	(203)	2.8	(1.27)
SB2261510__							10"	(254)	3.1	(1.40)
SB2261512__							12"	(305)	3.4	(1.54)
SB2261802__	18"	(457)	21 ³ / ₄ "	(552)	19"	(482)	2"	(51)	2.1	(0.95)
SB2261804__							4"	(101)	2.4	(1.09)
SB2261806__							6"	(152)	2.7	(1.22)
SB2261808__							8"	(203)	3.0	(1.36)
SB2261810__							10"	(254)	3.3	(1.49)
SB2261812__							12"	(305)	3.6	(1.63)
SB2262002__	20"	(508)	23 ³ / ₄ "	(603)	21"	(533)	2"	(51)	2.3	(1.04)
SB2262004__							4"	(101)	2.6	(1.18)
SB2262006__							6"	(152)	2.9	(1.31)
SB2262008__							8"	(203)	3.2	(1.45)
SB2262010__							10"	(254)	3.5	(1.59)
SB2262012__							12"	(305)	3.8	(1.72)
SB2262402__	24"	(609)	27 ³ / ₄ "	(705)	25"	(635)	2"	(51)	2.5	(1.13)
SB2262404__							4"	(101)	2.8	(1.27)
SB2262406__							6"	(152)	3.2	(1.45)
SB2262408__							8"	(203)	3.5	(1.59)
SB2262410__							10"	(254)	3.8	(1.72)
SB2262412__							12"	(305)	4.1	(1.86)

Specify part number and finish when ordering.

Cable Runway & Accessories

3" Upright Network Equipment Rack Top Plate Runway Support Kit

- Use to secure cable runway to top angles of network equipment rack
- Accommodates runway in parallel or perpendicular arrangement
- Includes: (1) mounting plate and (4) "J" bolts with $\frac{5}{16}$ "-18 hardware
- Material: ASTM A36 structural steel
- Finish ____: Flat black powder coat (FB)
Telco gray powder coat (TG)
Yellow zinc (YZ)



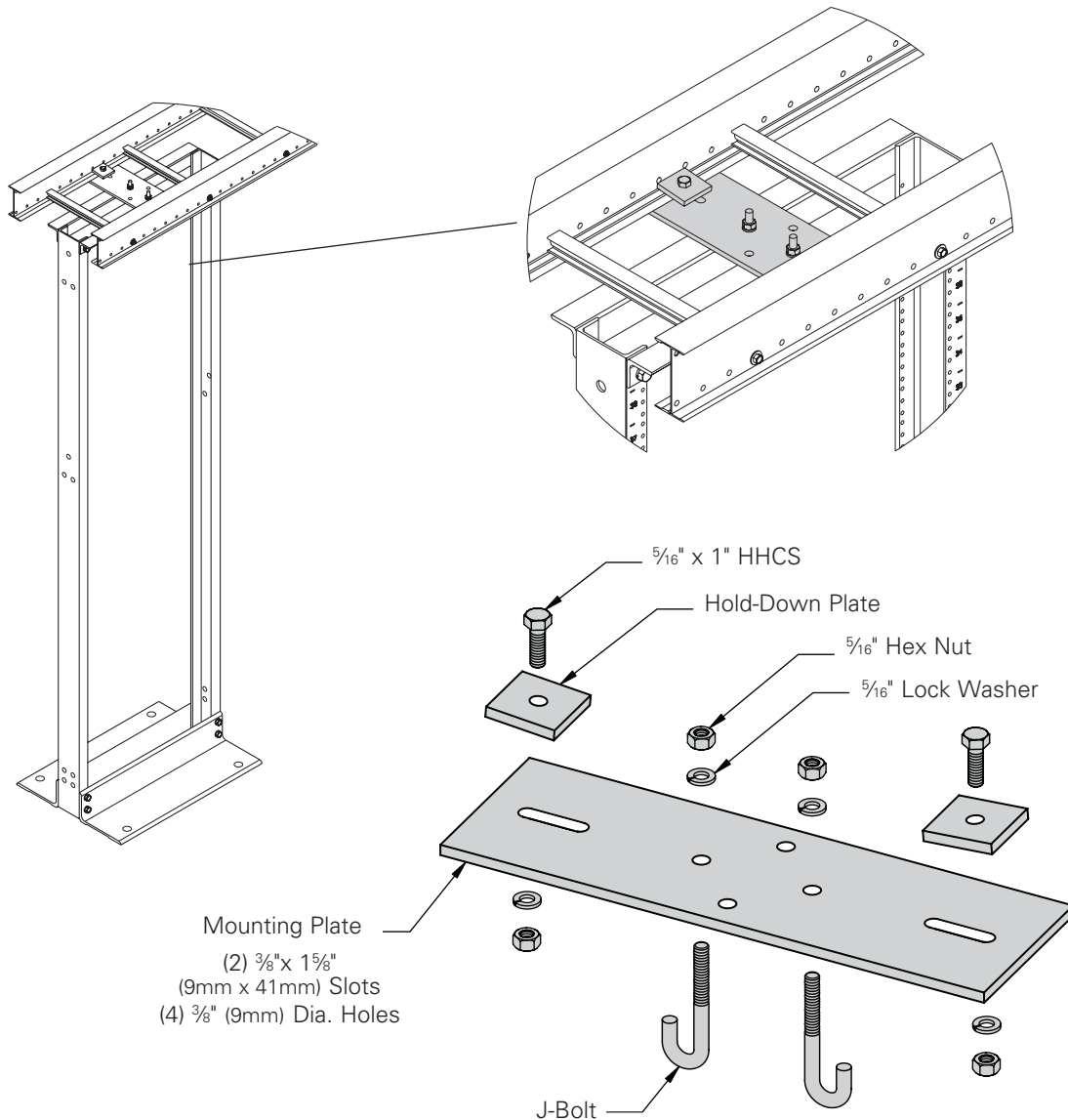
Part Number	Runway Width		Width 'W'		Length 'L'		Weight	
	In.	(mm)	In.	(mm)	In.	(mm)	Lbs.	(kg)
SB213309 __	6" - 9"	(152 - 228)	4"	(101)	9 $\frac{7}{8}$ "	(251)	3.4	(1.5)
SB213312 __	8" - 12"	(203 - 305)	4"	(101)	12 $\frac{7}{8}$ "	(327)	4.3	(2.0)
SB213318 __	14" - 18"	(355 - 457)	4"	(101)	18 $\frac{7}{8}$ "	(479)	6.1	(2.8)
SB213324 __	24"	(609)	7"	(178)	24 $\frac{7}{8}$ "	(632)	12.5	(5.7)

Specify part number and finish when ordering.

Cable Runway & Accessories

3" Upright Network Equipment Rack Top Plate Redi-Rail™ Support Kit

- Use to secure Eaton B-Line series Redi-Rail to top angles of network equipment rack
- Accommodates Redi-Rail in parallel or perpendicular arrangement
- Includes: (1) mounting plate, (2) hold-down plates, (2) "J" bolts, and 5/16"-18 hardware
- Material: ASTM A36 structural steel
- Finish ____: Flat black powder coat (FB)
Telco gray powder coat (TG)
Yellow zinc (YZ)



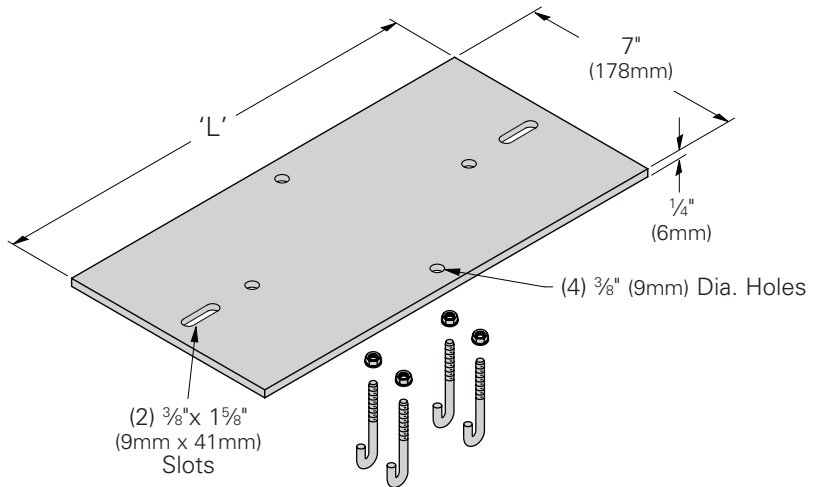
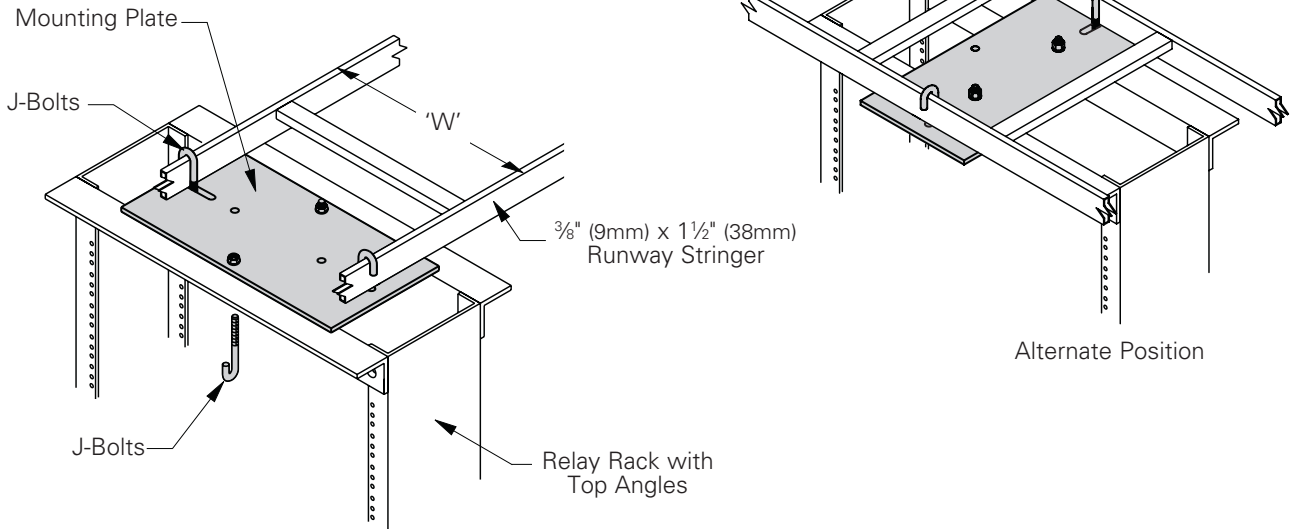
Part Number	Redi-Rail Width 'W'		Plate Size Width x Length		Weight	
	In.	(mm)	In.	(mm)	Lbs.	(kg)
SB213312RR __	9" - 12"	(228 - 305)	4" x 12 ⁷ / ₈ "	(101 x 327)	6.0	(2.72)
SB213318RR __	18"	(457)	4" x 18 ⁷ / ₈ "	(101 x 479)	6.3	(2.85)

Specify part number and finish when ordering.

Cable Runway & Accessories

6" Upright Network Equipment Rack Top Plate Runway Support Kit

- Use to secure cable runway to top angles of network equipment rack
- Accommodates runway in parallel or perpendicular arrangement
- Includes: (1) mounting plate and (4) "J" bolts with 5/16"-18 hardware
- Material: ASTM A36 structural steel
- Finish ___: Flat black powder coat (FB)
Telco gray powder coat (TG)
Yellow zinc (YZ)



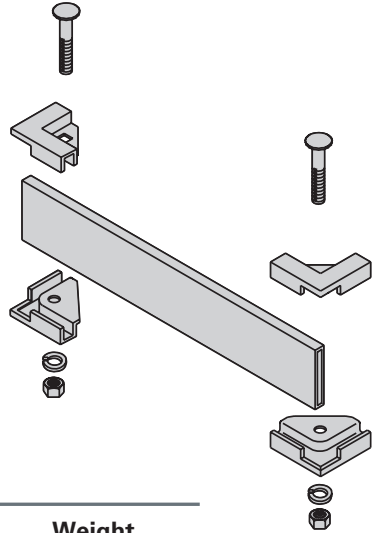
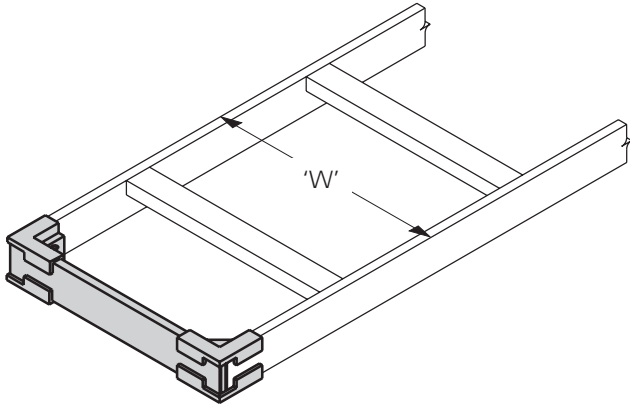
Part Number	Runway Width 'W'		Length 'L'		Weight	
	In.	(mm)	In.	(mm)	Lbs.	(kg)
SB213209 __	6" - 9"	(152 - 228)	9 ³ / ₈ "	(238)	5.5	(2.49)
SB213212 __	8" - 12"	(203 - 305)	12 ³ / ₈ "	(314)	6.8	(3.08)
SB213218 __	14" - 18"	(355 - 457)	18 ³ / ₈ "	(467)	10.0	(4.53)
SB213224 __	24"	(609)	24 ³ / ₈ "	(619)	12.9	(5.85)

Specify part number and finish when ordering.

Cable Runway & Accessories

Runway Termination Kit

- Use to close end of cable runway
- No drilling required for installation
- Includes: (1) termination end, (2) clamps, and $\frac{3}{8}$ "-16 hardware
- Material: ASTM A513 steel tube
- Finish ____: Flat black powder coat (FB)
Telco gray powder coat (TG)
Yellow zinc (YZ)



1½" (38mm) Tube Stringers

Part Number	'W' Runway Width		Weight	
	In.	(mm)	Lbs.	(kg)
SB210506__	6"	(152)	1.0	(0.46)
SB210509__	9"	(228)	1.1	(0.48)
SB210512__	12"	(305)	1.2	(0.55)
SB210515__	15"	(381)	1.5	(0.70)
SB210518__	18"	(457)	1.7	(0.77)
SB210520__	20"	(508)	1.8	(0.82)
SB210524__	24"	(609)	2.0	(0.91)
SB210530__	30"	(762)	2.3	(1.52)
SB210536__	36"	(914)	2.6	(1.20)

2" (38mm) Tube Stringers

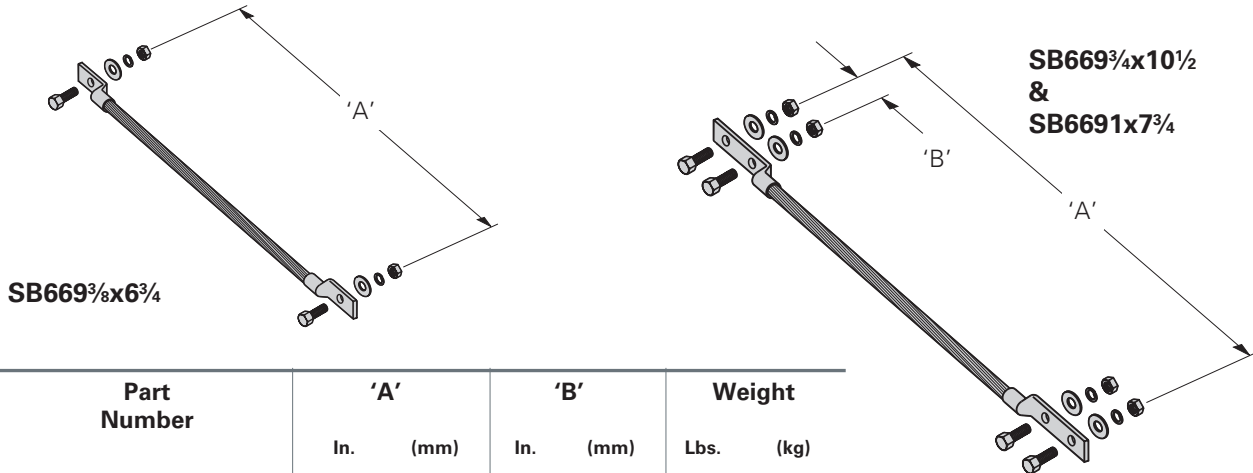
Part Number	'W' Runway Width		Weight	
	In.	(mm)	Lbs.	(kg)
SB2105062__	6"	(152)	1.3	(0.57)
SB2105092__	9"	(228)	1.5	(0.68)
SB2105122__	12"	(305)	1.7	(0.79)
SB2105152__	15"	(381)	2.0	(0.91)
SB2105182__	18"	(457)	2.2	(1.02)
SB2105202__	20"	(508)	2.4	(1.09)
SB2105242__	24"	(609)	2.7	(1.24)
SB2105302__	30"	(762)	3.2	(1.47)
SB2105362__	36"	(914)	3.7	(1.70)

Specify part number and finish when ordering.

Cable Runway & Accessories

Grounding Strap

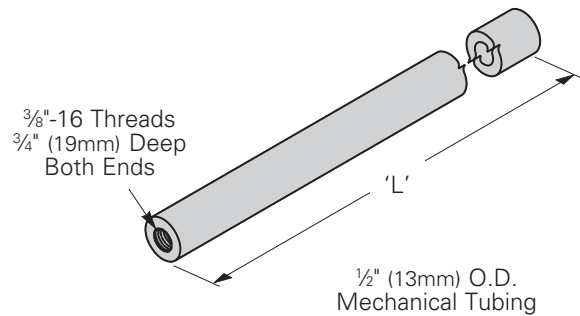
- Use to provide grounding path
- Includes: (1) cable with crimped lugs and hardware
- Material: #6 flexible tin plated copper wire



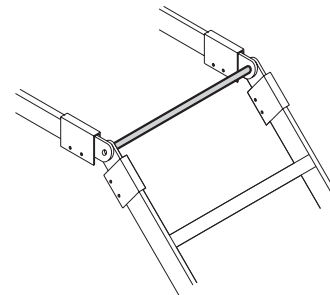
Part Number	'A'		'B'		Weight	
	In.	(mm)	In.	(mm)	Lbs.	(kg)
SB669 ^{3/4} x10 ^{1/2}	10 ^{1/2} "	(267)	3/4"	(19)	.36	(0.16)
SB6691x7 ^{3/4}	7 ^{3/4} "	(197)	1"	(25)	.27	(0.12)
SB669 ^{3/8} x6 ^{3/4}	6 ^{3/4} "	(171)	N/A	N/A	.20	(0.09)

Cable Support Bar

- Use to support cable when using adjustable vertical bend SB2110
- Material: 1/2" (13mm) x 13 Ga. (2.3mm) steel tubing
- Finish ____: Flat black powder coat (FB)
Telco gray powder coat (TG)
Yellow zinc (YZ)



Part Number	'L' Length		Weight	
	In.	(mm)	Lbs.	(kg)
SB16106__	5 ^{7/32} "	(132)	0.24	(0.11)
SB16109__	8 ^{7/32} "	(209)	0.37	(0.17)
SB16112__	11 ^{7/32} "	(285)	0.51	(0.23)
SB16115__	14 ^{7/32} "	(361)	0.64	(0.29)
SB16118__	17 ^{7/32} "	(437)	0.78	(0.35)
SB16120__	19 ^{7/32} "	(494)	0.87	(0.39)
SB16124__	23 ^{7/32} "	(590)	1.05	(0.47)
SB16130__	29 ^{7/32} "	(742)	1.32	(0.60)
SB16136__	35 ^{7/32} "	(894)	1.59	(0.72)



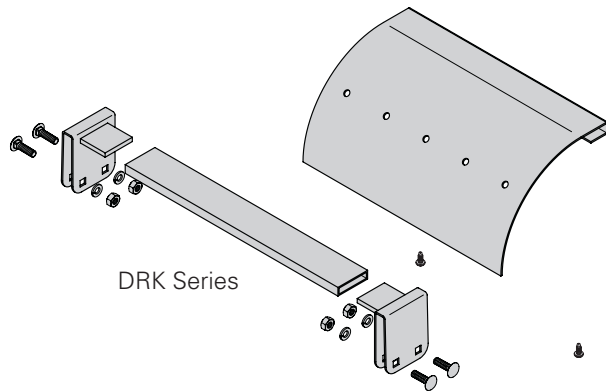
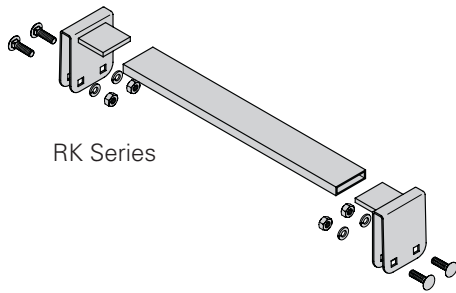
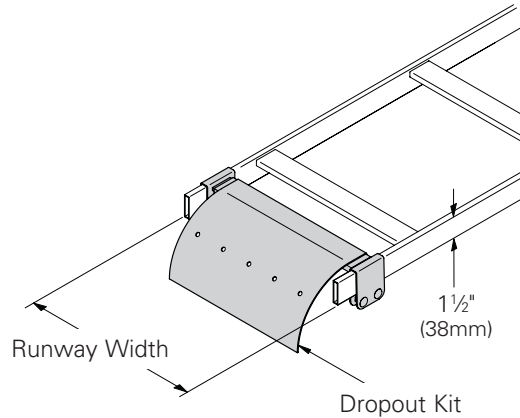
Specify part number and finish when ordering.

Cable runway & accessories

Cable Runway & Accessories

Rung Drop-Out Kit

- Used to insert an extra rung on existing runway sections to accommodate cable drops
- Attaches to 1½" (38mm) x ⅜" (9mm) stringers
- Compatible with all 1½" (38mm) stringer runway styles
- SB17RK series rungs include: (1) rung, (2) rung clips, and assembly hardware
- SB17DRK series drop-out kits include: (1) rung, (2) rung clips, (1) runway dropout, and assembly hardware
- Steel construction
- Finish ____: Flat black powder coat (FB)
Telco gray powder coat (TG)
Yellow zinc (YZ)



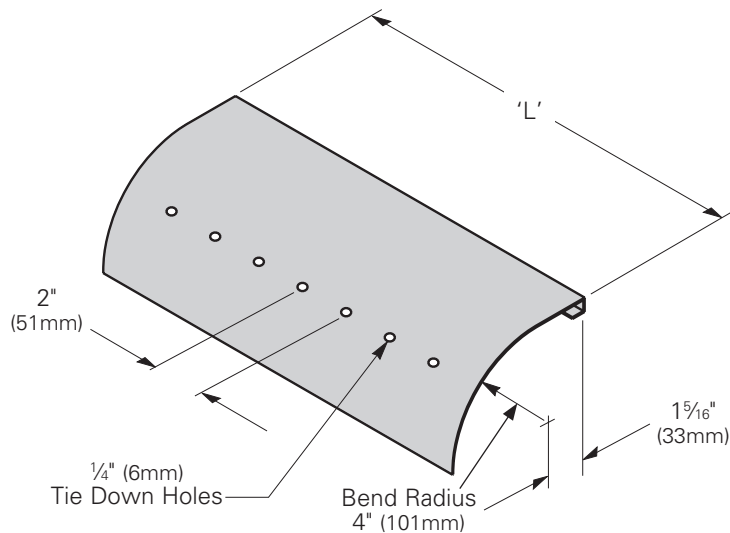
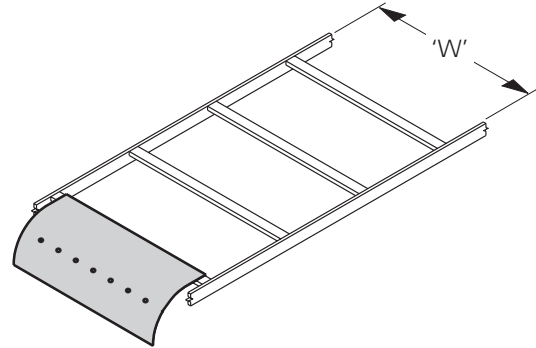
Part Number		Runway Width 'W'		Weight Each			
RK Series	DRK Series	In.	(mm)	RK Series		DRK Series	
				Lbs.	(kg)	Lbs.	(kg)
SB17RK05__	SB17DRK05__	5"	(127)	0.9	(0.41)	1.4	(0.63)
SB17RK06__	SB17DRK06__	6"	(152)	0.9	(0.41)	1.6	(0.72)
SB17RK09__	SB17DRK09__	9"	(228)	1.1	(0.50)	2.3	(1.04)
SB17RK12__	SB17DRK12__	12"	(305)	1.3	(0.59)	3.0	(1.36)
SB17RK15__	SB17DRK15__	15"	(381)	1.5	(0.68)	3.6	(1.63)
SB17RK18__	SB17DRK18__	18"	(457)	1.6	(0.72)	4.3	(1.93)
SB17RK20__	SB17DRK20__	20"	(508)	1.8	(0.81)	4.8	(2.17)
SB17RK24__	SB17DRK24__	24"	(609)	2.0	(0.91)	5.7	(2.58)
SB17RK30__	SB17DRK30__	30"	(762)	2.4	(1.09)	7.1	(3.22)
SB17RK36__	SB17DRK36__	36"	(914)	2.7	(1.22)	8.4	(3.81)

Specify part number and finish when ordering.

Cable Runway & Accessories

Steel Runway Drop-Out

- Use to provide a smooth radius for cable exit
- SB2129 Series fits channel or tube rungs $\frac{1}{2}$ " (13mm) x 1" (25mm)
- SB2129U Series fits rungs $\frac{3}{8}$ " (9mm) x $1\frac{1}{2}$ " (38mm)
- Cable tie down holes provided
- 4" (102mm) cable bend radius
- Includes: self-drilling screws
- Material: 18 Gauge (1.2mm) ASTM A569 steel
- Finish ____: Flat black powder coat (FB)
Telco gray powder coat (TG)
Yellow zinc (YZ)



Part Number		Dropout Width 'L'		Runway Width 'W'		Weight	
SB2129 Series	SB2129U Series	In.	(mm)	In.	(mm)	Lbs.	(kg)
SB212906__	SB2129U06__	4"	(101)	6"	(152)	0.7	(0.31)
SB212909__	SB2129U09__	7"	(178)	9"	(228)	1.2	(0.54)
SB212912__	SB2129U12__	10"	(254)	12"	(305)	1.7	(0.77)
SB212915__	SB2129U15__	13"	(330)	15"	(381)	2.2	(0.99)
SB212918__	SB2129U18__	16"	(406)	18"	(457)	2.7	(1.22)
SB212920__	SB2129U20__	18"	(457)	20"	(508)	3.0	(1.36)
SB212924__	SB2129U24__	22"	(559)	24"	(609)	3.7	(1.67)
SB212930__	SB2129U30__	28"	(711)	30"	(762)	4.7	(2.13)
SB212936__	SB2129U36__	34"	(863)	36"	(914)	5.7	(2.58)

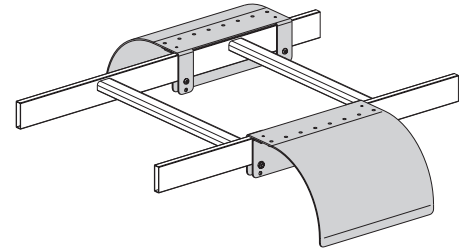
Specify part number and finish when ordering.

Cable Runway & Accessories

Side Drop-Out

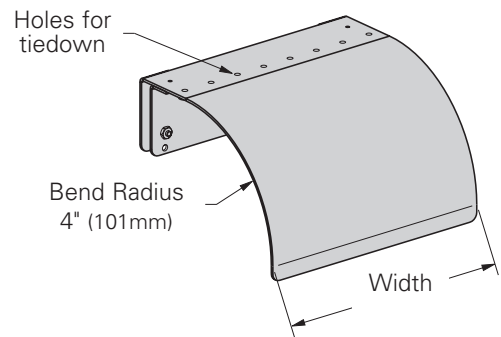
- Allows for cable to exit from side of cable runway stringer
- Provides a smooth radius for cable exit.
- Will fit either 3/8" (9mm) x 1 1/2" (38mm) or 2" (51mm) stringers
- Includes installation hardware
- Material: 14 ga. (1.9mm) ASTM A36 steel
- Finish ___: Flat black powder coat (FB)
Telco gray powder coat (TG)
Yellow zinc (YZ)

Installation Example



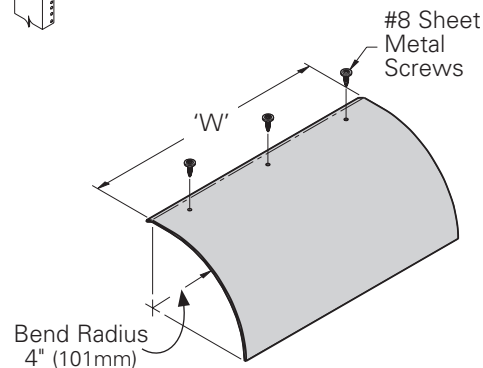
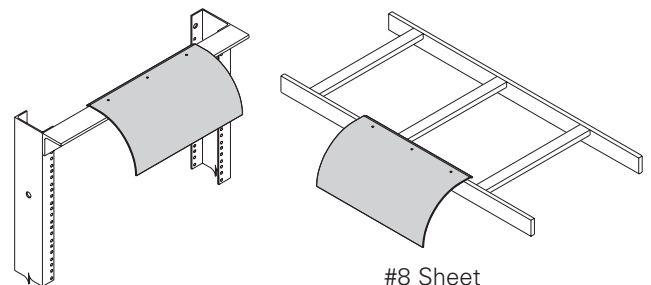
Part Number	Width		Weight	
	In.	(mm)	Lbs.	(kg)
SB2129SD06__	5"	(127)	1.8	(0.8)
SB2129SD09__	7 3/4"	(197)	1.8	(0.8)
SB2129SD12__	10 1/4"	(260)	2.0	(0.9)
SB2129SD18__	16 3/4"	(425)	3.9	(1.7)
SB2129SD24__	22 1/4"	(565)	5.1	(2.3)

Specify part number and finish when ordering.



Universal Drop-Out

- Drop-out can be used on both cable runway and relay racks
- Provides a smooth radius for cable exit.
- Attaches with sheet metal screws (included)
- Material: Aluminum
- Finish ___: Aluminum - brushed (AL)
Flat black powder coat (FB)
Telco gray powder coat (TG)



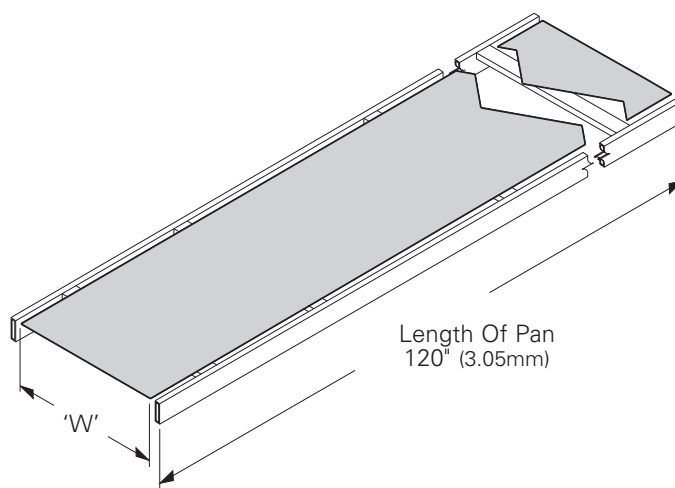
Part Number	'W'		# of Screws	Weight	
	In.	(mm)		Lbs.	(kg)
SB78706__	5.44	(138)	2	0.3	(0.13)
SB78712__	11.44	(290)	3	0.7	(0.32)
SB78718__	17.44	(443)	4	1.1	(0.50)

Specify part number and finish when ordering.

Cable Runway & Accessories

Cable Runway Pan

- Use to provide continuous support for cables in runway
- See SB128 for alternate pan positioning
- Pans can be trimmed to fit in field
- Material: Aluminum sheet
- Finish ___: Aluminum - brushed (AL)
Flat black powder coat (FB) (one side only)
Telco gray powder coat (TG) (one side only)



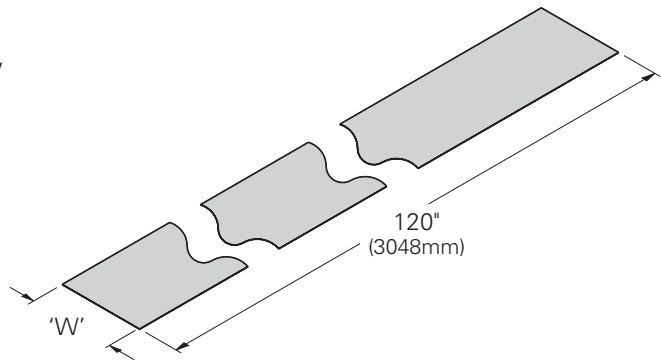
Part Number	Runway Width		'W'		Weight	
	In.	(mm)	In.	(mm)	Lbs.	(kg)
SB1906__	6"	(152)	4¼"	(108)	2.0	(0.91)
SB1909__	9"	(228)	7¼"	(184)	3.4	(1.54)
SB1912__	12"	(305)	10¼"	(260)	4.8	(2.18)
SB1915__	15"	(381)	13¼"	(336)	6.2	(2.81)
SB1918__	18"	(457)	16¼"	(413)	7.6	(3.45)
SB1920__	20"	(508)	18¼"	(463)	8.6	(3.90)
SB1924__	24"	(609)	22¼"	(565)	10.5	(4.76)
SB1930__	30"	(762)	28¼"	(717)	13.4	(6.08)
SB1936__	36"	(914)	34¼"	(870)	16.3	(7.39)

Specify part number and finish when ordering.

Cable Runway & Accessories

Kydex®† Runway Pan

- Use to provide continuous support for cables in runway
- Meets UL 94 V-O
- Material: .04" (1mm) thick Kydex®†
- Colors: Gray (G)



Part Number	Runway Width		'W'		Weight	
	In.	(mm)	In.	(mm)	Lbs.	(kg)
SB1906KG	6"	(152)	4¼"	(108)	1.4	(0.63)
SB1909KG	9"	(228)	7¼"	(184)	2.1	(0.95)
SB1912KG	12"	(305)	10¼"	(260)	2.8	(1.27)
SB1915KG	15"	(381)	13¼"	(336)	3.5	(1.59)
SB1918KG	18"	(457)	16¼"	(413)	4.2	(1.90)
SB1920KG	20"	(508)	18¼"	(463)	4.6	(2.08)
SB1924KG	24"	(609)	22¼"	(565)	5.6	(2.54)
SB1936KG	36"	(914)	34¼"	(870)	8.4	(3.81)

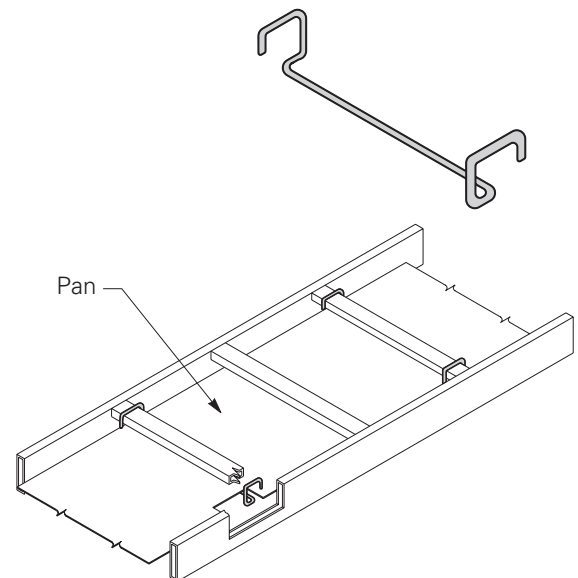
Pan Support

- Use to suspend cable runway pan from rungs of cable runway
- Seven (7) pan supports recommended for each length, 119½" (3.05m), of cable runway
- SB128 Series is designed for use on cable runways with ½" x 1" (13mm x 25mm) rungs
- SB128U Series is designed for use on cable runways with ⅜" x 1½" (9mm x 38mm) rungs
- Material: cold finished steel wire
- Finish ____: Flat black powder coat (FB)
Telco gray powder coat (TG)
Yellow zinc (YZ)

Part Number SB128 Series	Part Number SB128U Series	Runway Width		Weight	
		In.	(mm)	Lbs.	(kg)
SB1286__	SB128U6__	6"	(152)	0.10	(0.04)
SB1289__	SB128U9__	9"	(228)	0.12	(0.05)
SB12812__	SB128U12__	12"	(305)	0.14	(0.06)
SB12815__	SB128U15__	15"	(381)	0.16	(0.07)
SB12818__	SB128U18__	18"	(457)	0.19	(0.08)
SB12820__	SB128U20__	20"	(508)	0.20	(0.09)
SB12824__	SB128U24__	24"	(609)	0.23	(0.10)
SB12830__	SB128U30__	30"	(762)	0.27	(0.12)
SB12836__	SB128U36__	36"	(914)	0.31	(0.14)

Specify part number and finish when ordering.

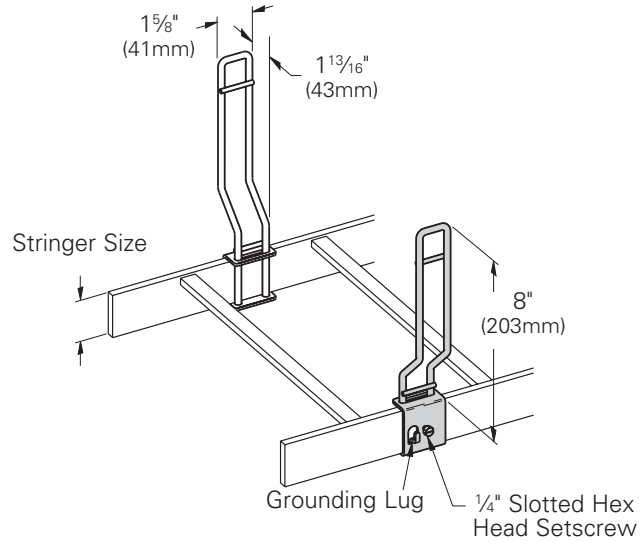
† All trademarks are property of their respective owners.



Cable Runway & Accessories

Offset Cable Horn - Stringer Mounted

- Designed as a stringer extension to help retain cables in the runway
- Grounding lugs included on retainer clip for quick and easy grounding
- Includes: (1) offset cable horn and (1) runway stringer retainer clip
- Material: cable horn - ASTM A510 steel
retainer clip - ASTM A607 grade 50
- Finish___: Black zinc (BZ)
Yellow zinc (YZ)

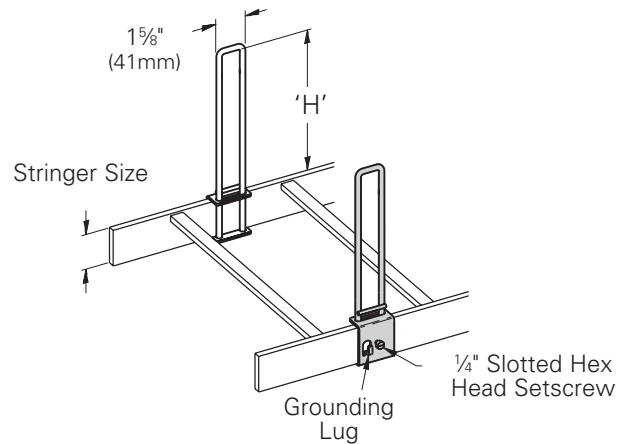


Part Number	Stringer Size		Weight	
	In.	(mm)	Lbs.	(kg)
SB1301 1/2 ___	3/8" x 1 1/2"	(9 x 38)	.61	(0.27)
SB1302 ___	3/8" x 2"	(9 x 51)	.69	(0.31)

Specify part number and finish when ordering.

Straight Cable Horn - Stringer Mounted

- Designed as a stringer extension to help retain cables in the runway
- Grounding lugs included on retainer clip for quick and easy grounding
- Includes: (1) straight cable horn and (1) runway stringer retainer clip
- Material: cable horn - ASTM A510 steel
retainer clip - ASTM A607 grade 50
- Finish___: Black zinc (BZ)
Yellow zinc (YZ)



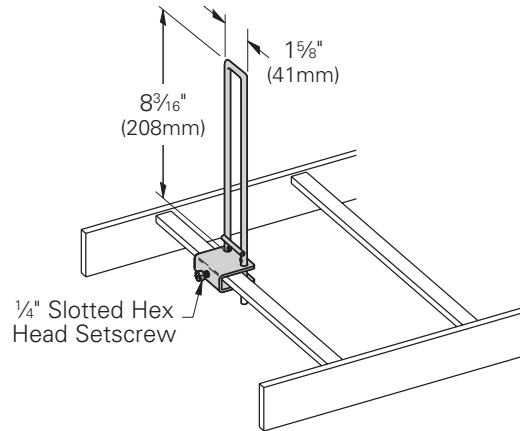
Part Number	Stringer Size		'H'		Weight	
	In.	(mm)	In.	(mm)	Lbs.	(kg)
SB13181 1/2 ___	3/8" x 1 1/2"	(9 x 38)	8"	(203)	.58	(0.26)
SB13182 ___	3/8" x 2"	(9 x 51)	8"	(203)	.66	(0.30)
SB131141 1/2 ___	3/8" x 1 1/2"	(9 x 38)	14"	(355)	.72	(0.32)
SB131142 ___	3/8" x 2"	(9 x 51)	14"	(355)	.80	(0.36)

Specify part number and finish when ordering.

Cable Runway & Accessories

Cable Horn - Rung Mounted

- Designed as a separator between cables in the runway
- For use with SB17 and SB17T Series runway only
- Includes: (1) straight cable horn and (1) runway rung retainer clip
- Material: cable horn - ASTM A510
retainer clip - ASTM A607 grade 50
- Finish___: Black zinc (BZ)
Yellow zinc (YZ)

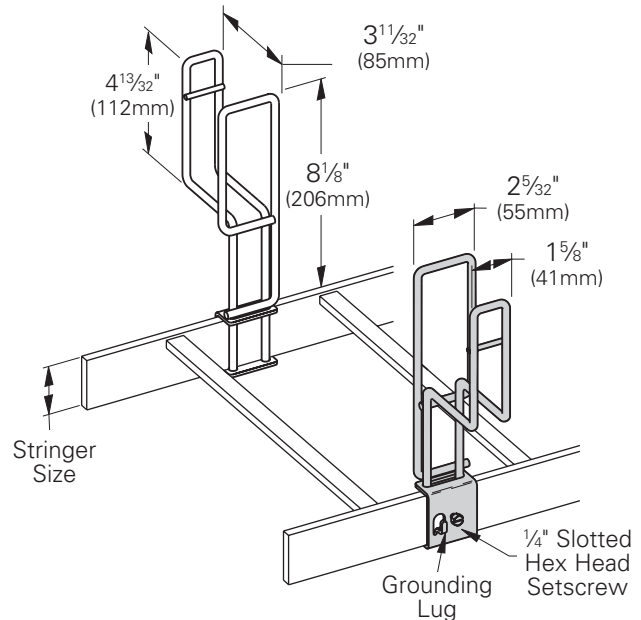


Part Number	Weight	
	Lbs.	(kg)
SB1328___	.67	(0.30)

Specify part number and finish when ordering.

Overhead Power Cable Support

- Designed as a stringer extension to help retain cables in the runway
- Includes a upper compartment for additional cabling space
- Grounding lugs included on retainer clip for quick and easy grounding
- Includes: (1) straight cable horn with bracket and (1) runway stringer retainer clip
- Material: cable horn - ASTM A510
retainer clip - ASTM A607 grade 50
- Finish___: Black zinc (BZ)
Yellow zinc (YZ)



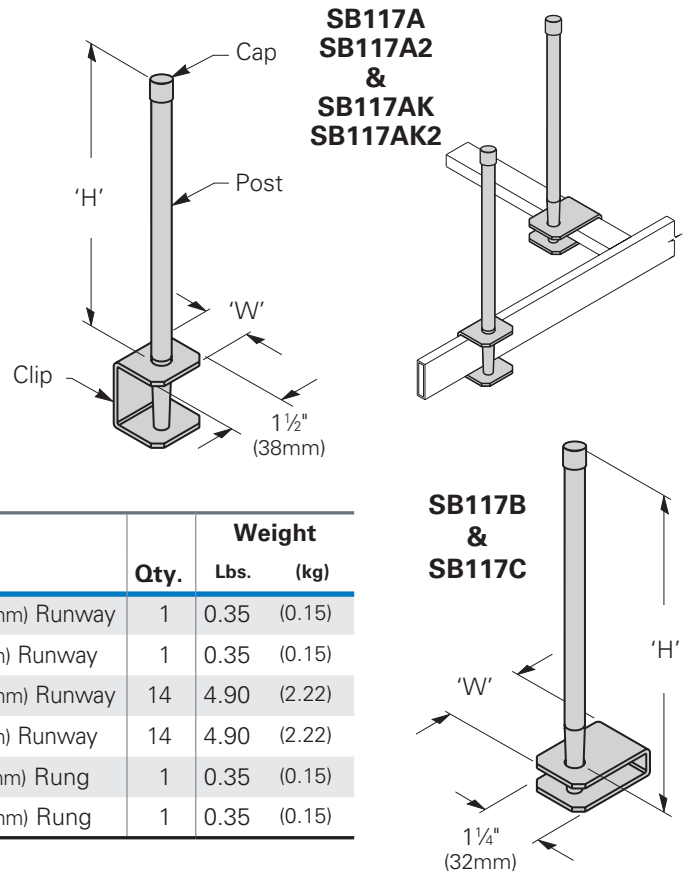
Part Number	Stringer Size		Weight	
	In.	(mm)	Lbs.	(kg)
SB1341½___	¾" x 1½"	(9 x 38)	.77	(0.35)
SB1342___	¾" x 2"	(9 x 51)	.84	(0.38)

Specify part number and finish when ordering.

Cable Runway & Accessories

Cable Retaining Post

- Use to increase cable capacity fill of runway
- Self wedging design locks post on runway
- SB117A, SB117B, and SB117C includes: (1 each) post, plug, and clip
- SB117AK includes: (14 each) post, plug, and clip
- Material: ASTM A569 and A513 steel
- Finish ___: Black zinc (BZ)
Yellow zinc (YZ)

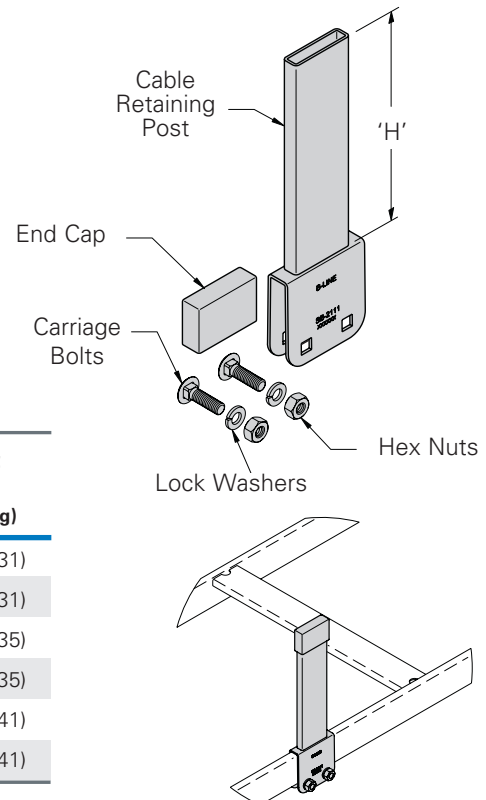


Part Number	'W'		'H'		Fits	Qty.	Weight	
	In.	(mm)	In.	(mm)			Lbs.	(kg)
SB117A___	1 5/16"	(49)	7	(178)	3/8" x 1 1/2" (9mm x 38mm) Runway	1	0.35	(0.15)
SB117A2___	1 5/16"	(49)	13	(330)	3/8" x 2" (9mm x 51mm) Runway	1	0.35	(0.15)
SB117AK___	1 5/16"	(49)	7	(178)	3/8" x 1 1/2" (9mm x 38mm) Runway	14	4.90	(2.22)
SB117AK2___	1 5/16"	(49)	13	(330)	3/8" x 2" (9mm x 51mm) Runway	14	4.90	(2.22)
SB117B___	1 5/16"	(49)	8	(203)	1/2" x 1" (12mm x 25mm) Rung	1	0.35	(0.15)
SB117C___	2 7/16"	(62)	8	(203)	3/8" x 1 1/2" (9mm x 38mm) Rung	1	0.35	(0.15)

Specify part number and finish when ordering.

Cable Retaining Post

- Use to increase cable capacity fill of runway
- Mounts directly to cable runway stringers
- Made from a 1 1/2" x 3/8" (38mm x 9mm) tubular steel post welded to a stringer mounting bracket
- Kits include: (1) cable retaining post, 1/4" mounting hardware, and neoprene end cap
- Available in three (3) heights
- Finish ___: Flat black powder coat (FB)
Telco gray powder coat (TG)
Yellow zinc (YZ)
Other finishes are available upon request



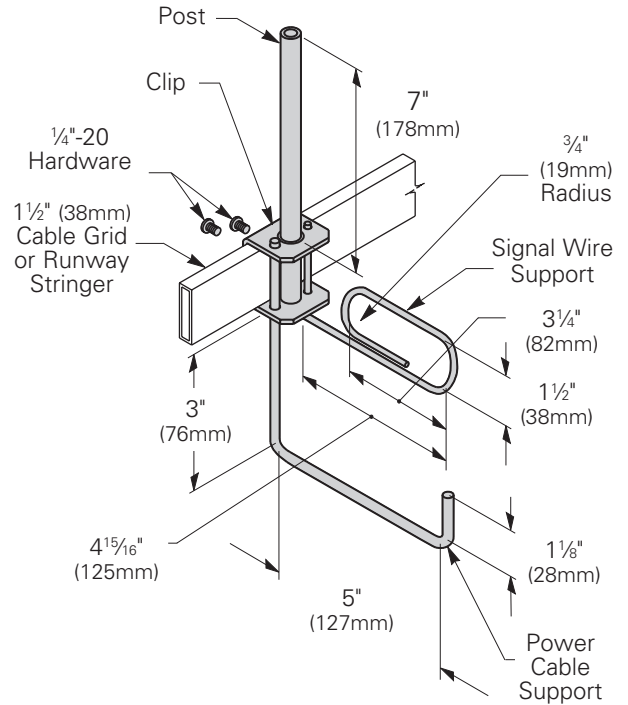
Part Number	'H' Height		Fits	Weight	
	In.	(mm)		Lbs.	(kg)
SB12606___	6"	(152)	3/8" x 1 1/2" (9mm x 38mm) Stringer	0.68	(0.31)
SB126062___	6"	(152)	3/8" x 2" (9mm x 51mm) Stringer	0.68	(0.31)
SB12608___	8"	(203)	3/8" x 1 1/2" (9mm x 38mm) Stringer	0.78	(0.35)
SB126082___	8"	(203)	3/8" x 2" (9mm x 51mm) Stringer	0.78	(0.35)
SB12610___	10"	(254)	3/8" x 1 1/2" (9mm x 38mm) Stringer	0.90	(0.41)
SB126102___	10"	(254)	3/8" x 2" (9mm x 51mm) Stringer	0.90	(0.41)

Specify part number and finish when ordering.

Cable Runway & Accessories

Wire Support Bracket Assembly

- Use to increase cable fill capacity and support power and signal cables
- Includes: (1) post, (1) clip, (2) support wires and ¼"-20 hardware
- Material: ASTM A569 steel A513 steel and alloy steel wire
- Finish ____: Flat black powder coat (FB)
Telco gray powder coat (TG)
Yellow zinc (YZ)

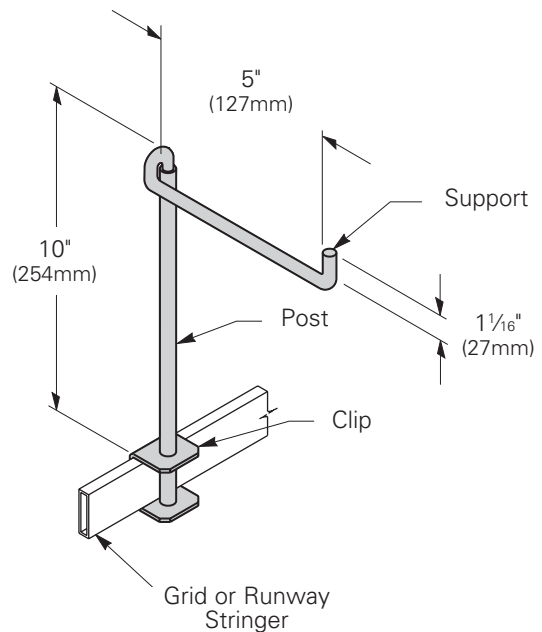


Part Number	Fits 1½" (38mm) Stringer	Weight	
		Lbs.	(kg)
SB118A__	Single	0.7	(0.31)
SB118B__	Dual	0.7	(0.31)

Specify part number and finish when ordering.

Overhead Power Cable Support

- Use to support power cable above cable runway
- Self wedging design locks post on runway
- Includes: (1 each) post, clip, and support wire
- Material: ASTM A570, A513 and alloy steel wire
- Finish____: Black zinc (BZ)
Yellow zinc (YZ)



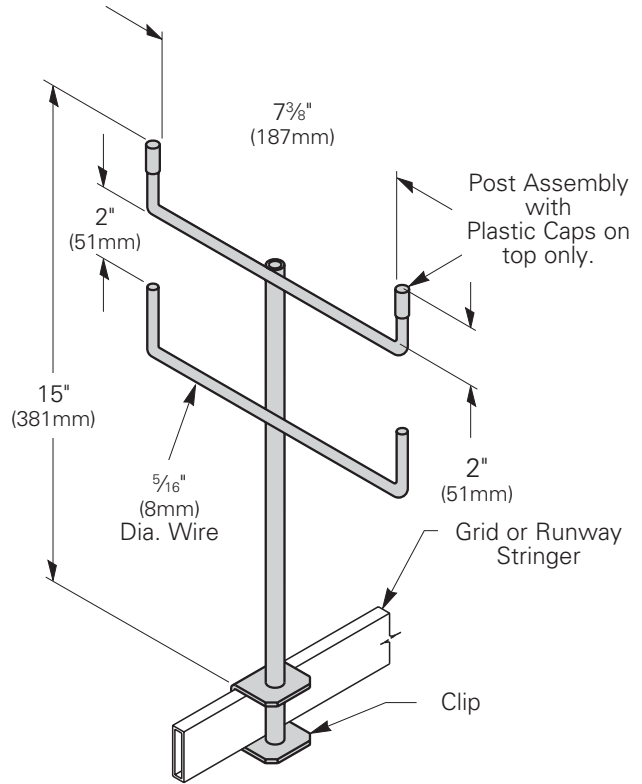
Part Number	Runway Height		Weight	
	In.	(mm)	Lbs.	(kg)
SB122__	1½"	(38)	0.8	(0.36)
SB1222__	2"	(51)	0.8	(0.36)

Specify part number and finish when ordering.

Cable Runway & Accessories

Power And Signal Cable Support

- Use to support and separate power and signal cables above cable runway and cable grid
- Self wedging design locks post on runway
- Includes: (1) post assembly, (1) clip and (2) plastic caps
- Material: ASTM A570, A513 and alloy steel wire
- Finish ____: Black zinc (BZ)
Yellow zinc (YZ)

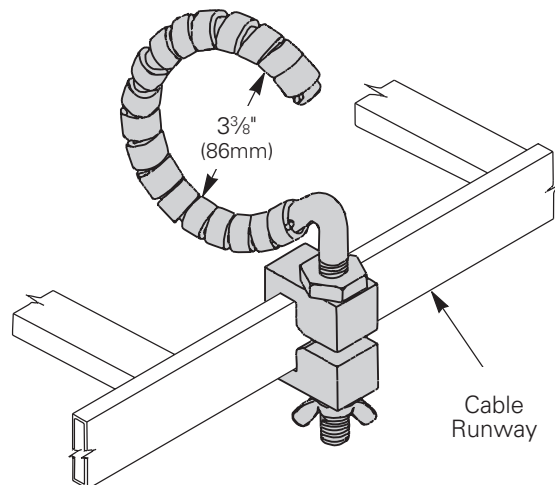


Part Number	Runway Height		Weight	
	In.	(mm)	Lbs.	(kg)
SB125__	1 1/2"	(38)	1.1	(0.49)
SB1252__	2"	(51)	1.1	(0.49)

Specify part number and finish when ordering.

Cable Guide - Roller Type

- Designed for use as a guide when pulling cables into place
- Used with cable runways and cable grids
- Adjustable for either 3/8" (9mm) x 1 1/2" (38mm) or 2" (51mm) stringers
- Material: Aluminum clamp and rings with steel nuts



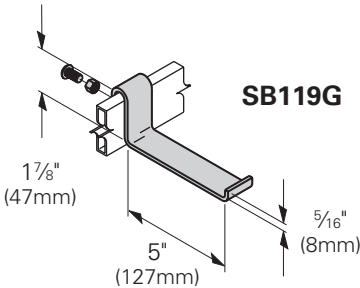
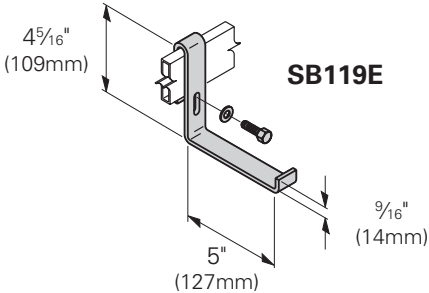
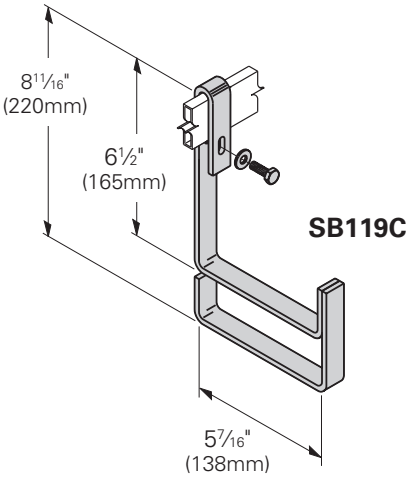
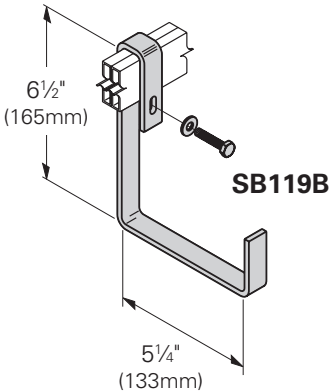
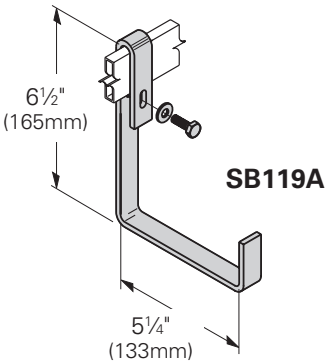
Part Number	Weight	
	Lbs.	(kg)
SB116	2.0	(0.91)

Cable runway & accessories

Cable Runway & Accessories

Power Cable Supports

- Use to support power cable under cable runway
- Use with 1½" (38mm) or 2" (51mm) stringers
- Designed for cable runway stringers
- Attachment hardware included
- Material: ASTM A36 structural steel
- Finish ____: Flat black powder coat (FB)
Telco gray powder coat (TG)
Yellow zinc (YZ)



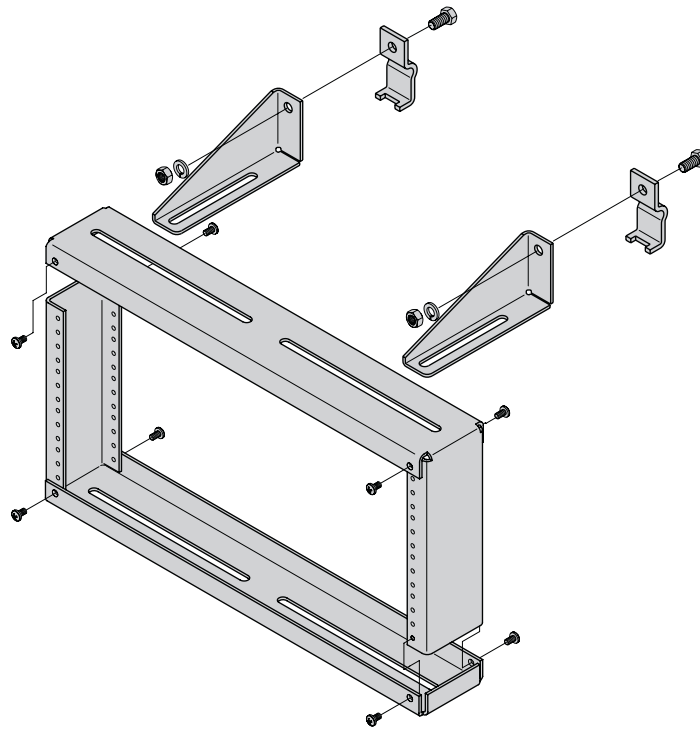
Part Number	Stringer Style	Material Thickness		Weight	
		In.	(mm)	Lbs.	(kg)
SB119A__	Single	3/16" x 1 1/4"	(4.7 x 32)	0.69	(0.31)
SB119B__	Dual	3/16" x 1 1/4"	(4.7 x 32)	0.71	(0.32)
SB119C__	Single	3/16" x 1 1/4"	(4.7 x 32)	1.14	(0.51)
SB119E__	Single	3/16" x 1 1/4"	(4.7 x 32)	0.73	(0.33)
SB119G__	Single	1/8" x 1"	(3 x 25)	0.34	(0.15)

Specify part number and finish when ordering.

Cable Runway & Accessories

Patch Panel Rack - Runway Stringer Mounted 4RMU Cable Runway

- Use to to mount patch panels off a runway stringer above racks or cabinets to save space
- Two (2) RMU (3½" (89mm)) of 19" mounting space
- Four (4) RMU (7" (178mm)) of 19" mounting space
- For use on 1½" (38mm) high stringer runway sections
- Aluminum construction
- Includes: (30) #12-24 mounting screws and all required installation hardware
- Finish ____: Flat black powder coat (FB)
Telco gray powder coat (TG)



Part Number	Weight	
	Lbs.	(kg)
RSMPP2U__	3.8	(1.72)
RSMPP4U__	4.2	(1.90)

Specify part number and finish when ordering.

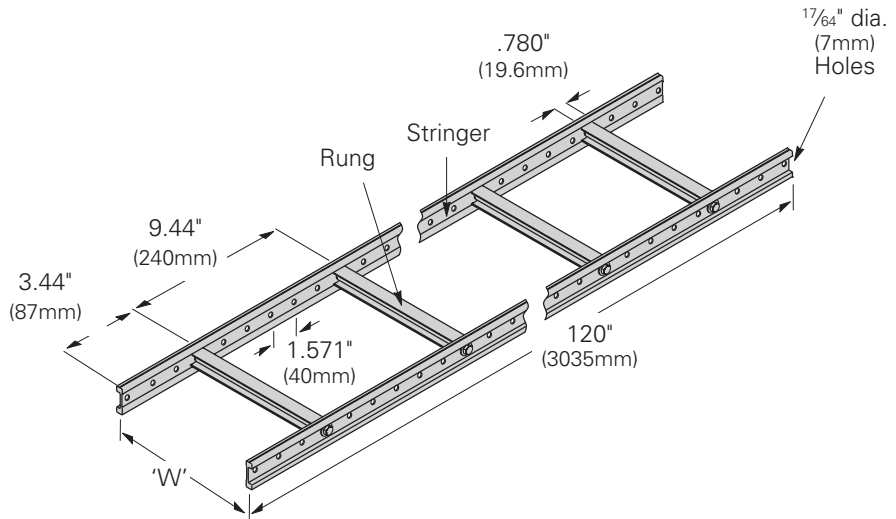
Cable Runway & Accessories

Redi-Rail™ Runway - 1½"

- Lightweight design for ease of installation
- Uses standard cable runway stringer accessories
- 6", 9", 12", 15", 18", 20", 24", 30" and 36" widths
- 9" rung spacing
- Rungs can be removed or repositioned to accommodate the specific project or buildings requirements
- Material: Aluminum
- Both aluminum and painted finishes are UL Listed
- Finish ____: Aluminum - brushed (AL)
Flat black powder coat (FB)
Telco gray powder coat (TG)



Note: For runway pans see Pages 144-145



Series Number	Stringer Dimensions	Spa• Load		Deflection		Multiplier
		Ft.	(m)	Lbs./Ft.	(N/m)	
SB13AL		4	(1.22)	81	(1182)	0.0033
		5	(1.52)	51	(744)	0.0080
		6	(1.83)	35	(510)	0.0166
		7	(2.13)	26	(379)	0.0308
		8	(2.44)	20	(292)	0.0526

UL Cross Sectional Area

0.60 in² (3.87 cm²)

Design Factors for (1) Rail

Area = .318 in² (2.06 cm²)

Sx = .116 in³ (1.90 cm³)

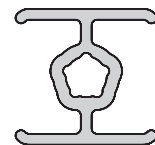
Ix = .087 in⁴ (3.65 cm⁴)

SB13AL C-Channel - 1½" (38mm) Stringers

Part Number	'W' Width		Weight	
	In.	(mm)	Lbs.	(kg)
SB13AL06__	6"	(152)	9.1	(4.1)
SB13AL09__	9"	(228)	9.8	(4.4)
SB13AL12__	12"	(305)	10.5	(4.7)
SB13AL15__	15"	(381)	11.2	(5.1)
SB13AL18__	18"	(457)	11.8	(5.4)
SB13AL20__	20"	(508)	12.3	(5.6)
SB13AL24__	24"	(609)	13.2	(6.0)
SB13AL30__	30"	(762)	14.6	(6.6)
	36"	(914)	16.0	(7.2)

Specify part number and finish when ordering.

Rung Profile



¾" high x 25/32" wide

Cable Runway & Accessories

End Caps SB21_

(see Page 133 for chart & information)



1

Hanger Rod Bracket 9ZNR_

(see Page 155 for chart & information)



2

Butt-Splice Clamp SB2107_BZ

(see Page 110 for chart & information)



3

Cable Retaining Post SB126_FB

(see Page 148 for chart & information)



4



1

2

3

4

6

7

8

5



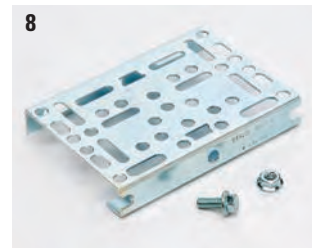
5



6



7



8

Stand-Off Bracket SB227_FB

(see Page 127 for chart & information)

Drop Out SB13ALDO_FB

(see Page 156 for chart & information)

Outboard Rung 9A-SR0_

(see Page 155 for chart & information)

Mounting Bracket 9ZN-MB1-4

(see Page 155 for chart & information)

Cable Runway & Accessories

Hanger Rod Bracket

- Wall studded bracket bolts to Redi-Rail™ holes
- For 3/8" ATR
- Loading is 1,000 lbs. (4.45kN), per pair, safety factor 3
- Finish: Zinc plated

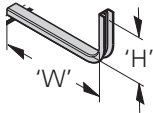
Part Number	Support ATR Size
9ZN-R238	3/8"
9ZN-R250	1/2"



Out Board Rungs

- Formed aluminum rung with attachment screw
- Field installs as required
- Torque rung fasteners to 6 ft/lbs
- Uniform load capacity on rung: 10 lbs

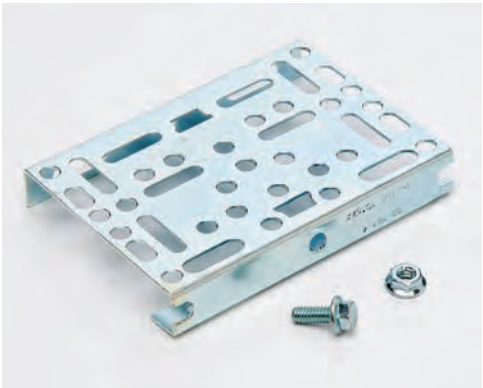
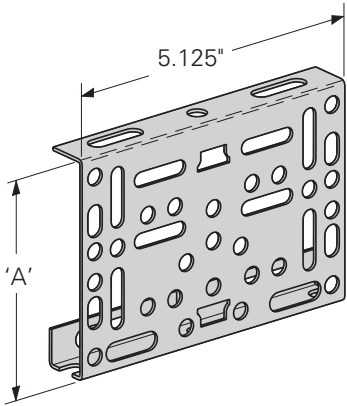
Part Number	Fill Depth 'H'		Fill Width 'W'	
	in	(mm)	in	(mm)
9A-SR0406	4	(101)	6	(152)
9A-SR0409	4	(101)	9	(226)
9A-SR0506	5	(127)	6	(152)
9A-SR0509	5	(127)	9	(226)



Mounting Bracket

- Furnished with 1/4" mounting hardware
- EIA/TIA panel mounting holes - both sides
- Mounting holes with NEMA outlet/junction boxes
- Zinc plated steel

Part Number	'A'	
	in	(mm)
9ZN-MB1-4	3 5/8"	(92)

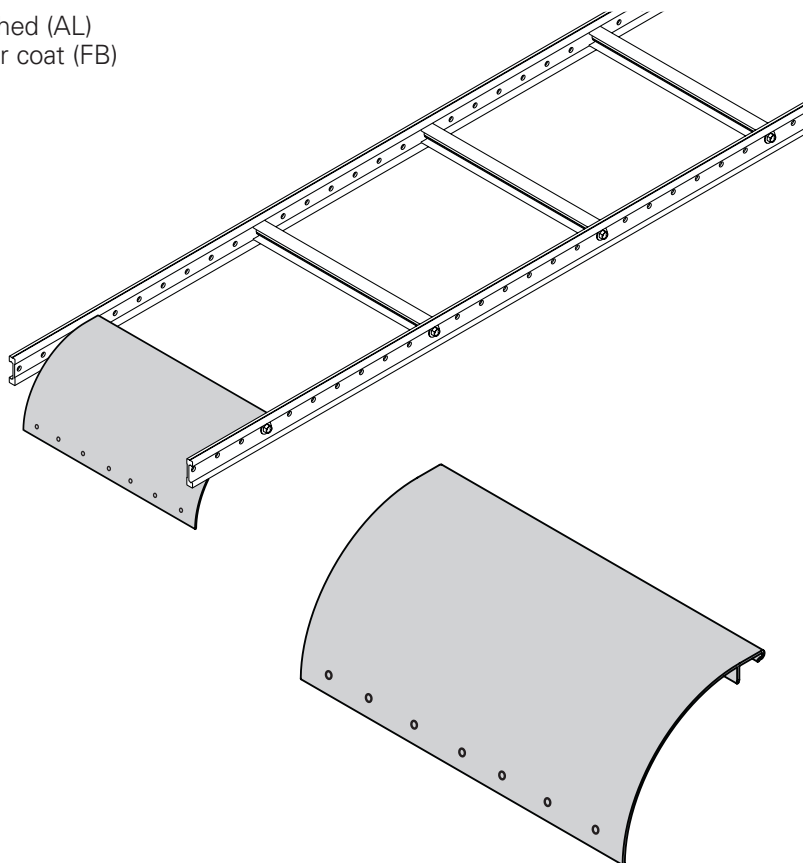


Cable runway & accessories

Cable Runway & Accessories

Drop-Out for Aluminum C-Channel Stringer Only

- Provides a smooth radius for cable exit
- Fits SB13AL style stringer only (not compatible with welded runways)
- No hardware required to attach drop-out to rung
- Material: Aluminum
- Finish ___: Aluminum - brushed (AL)
Flat black powder coat (FB)



Part Number	Width		Weight	
	In.	(mm)	Lbs.	(kg)
SB13ALDO06__	5.24"	(184)	0.4	(0.18)
SB13ALDO09__	8.24"	(209)	0.7	(0.32)
SB13ALDO12__	11.24"	(285)	0.9	(0.41)
SB13ALDO18__	17.24"	(438)	1.4	(0.63)
SB13ALDO24__	23.24"	(590)	1.9	(0.86)
SB13ALDO30__	29.24"	(742)	2.3	(1.04)
SB13ALDO36__	35.24"	(895)	2.7	(1.22)

Specify part number and finish when ordering.