



BNC FRAMELESS LED MONITOR

0E-22LED3

0E-24LED3

0E-27LED3

For additional
Capture information visit
www.adiglobaldistribution.com
Technical Support: 833-574-9124

Capture

Contents

Contents	1
Important Safety Information	1
Caution	3
FCC RF Interference Statement	4
Connections	5
Controls & Menu Operation	6
Mounting Guide	11
Accessories	12
Attaching the Stand	12
Power Indicator / Modes of Operation	12
Dimensions	13
Specifications	14
Limited Warranty	15

Important Safety Information

1. Read these instructions completely and comply with all requirements.
2. Retain these instructions for reference.
3. Comply with all instructions and warnings, both in this manual and on the product.
4. Disconnect the monitor from all power before cleaning. Use a damp cloth for cleaning; do not use liquid or aerosol cleaners.
5. Never use the monitor in damp areas or near water.
6. Never place the monitor on an unstable surface; if the monitor falls it may cause serious damage to people or property.
7. When selecting a location for placement/installation:
 - A. Always allow for sufficient ventilation: leave a minimum distance of 4" around the monitor.
 - B. Never allow anything (e.g. paper, cloth, etc.) to obstruct the monitor ventilation openings.
 - C. Never allow an open flame source (e.g. lighted candles) near the monitor.

- D. If batteries are used, please dispose of all batteries as per local regulations.
- E. Use the monitor in indoor environments as per the temperature and humidity specs.
- 8. The monitor should be operated from a power source indicated on the rear of the monitor.
- 9. The 3-prong, grounded plug used on this monitor is a safety feature. Do not power the monitor without a grounded plug.
- 10. Do not place the monitor where people will walk on the cord or allow anything to rest on or rub against the power cord.
- 11. If an extension cord is used to power the monitor, make sure that the total ampere usage of all the products plugged into the extension cord does not exceed the ampere rating of the extension cord nor the power rating of the outlet.
- 12. To avoid the risk of fire or an electric shock resulting from contact with dangerous voltage points or damage to parts, never insert objects of any kind into the monitor cabinet slots. Never spill any kind of liquid on the monitor.
- 13. Do not attempt to service this monitor yourself, as opening or removing the cover may expose you to dangerous voltage points or other risks.
- 14. If any of the following occur, disconnect the power to the monitor and refer servicing to qualified service personnel:
 - A. The power cord or plug is damaged or frayed.
 - B. Liquid has been spilled into the monitor.
 - C. The monitor has been exposed to rain, water or other liquids.
 - D. The monitor does not operate as expected as per the operating instructions. Adjust only those controls as described in the operating instructions; improper adjustment of other controls may cause the monitor to become inoperative and may void the warranty.
 - E. The monitor has been dropped or the cabinet has been damaged.
 - F. The monitor exhibits a distinct change in performance, indicating a need for service.

Please note:

The power supply cord is used as the main disconnect device. Ensure that the power outlet is located/installed near the monitor and is easily accessible.

Caution

THE POWER SUPPLY CORD IS USED AS THE MAIN POWER DISCONNECT DEVICE IN THIS PRODUCT. QUALIFIED SERVICE PERSONNEL MUST UNPLUG THIS PRODUCT FROM THE OUTLET BEFORE REMOVING THE BACK COVER AND SERVICING.

1. Never open the monitor case.

Only specially qualified personnel should open the case. No user serviceable parts inside.

2. Do not use in environments that may cause hazards.

To prevent electrical shock or a fire hazard, do not expose the monitor to rain or moisture. This monitor is designed to be used in a residential or commercial environment. Do not subject the monitor to excessive vibration or dust, or to corrosive gases.

3. Keep in a well-ventilated location.

Ventilation slots are provided on the cabinet to control the internal temperature of the monitor. Do not cover these ventilation holes or place anything on the unit which might block those slots.

4. Avoid excessive heat.

Avoid placing the monitor in direct sunlight or near a heating appliance.

5. Eliminate eye fatigue.

Do not use the monitor against a bright background or where sunlight and other light sources will shine directly on the monitor.

6. Avoid damage to the power cord.

Neither the monitor itself nor any other heavy object should rest on the power cord. Damage to a power cord can cause fire or electrical shock.

FCC RF Interference Statement

This equipment has been tested and found to comply with the limits for a Class B digital device, pursuant to Part 15 of the FCC Rules. These limits are designed to provide reasonable protection against harmful interference in a residential installation.



This equipment generates, uses, and can radiate radio frequency energy and, if not installed and used in accordance with the instructions, may cause harmful interference to radio communications. However, there is no guarantee that interference will not occur in a particular installation.

If this equipment causes harmful interference to radio or television reception, which can be determined by turning the equipment off and on, the user is encouraged to try to correct the interference by one or more of the following measures.

- Reorient or relocate the receiving antenna.
- Increase the space between the equipment and receiver.
- Connect the equipment into an outlet on a circuit different from that to which the receiver is connected.
- Only a shielded interface cable should be used.

Finally, any changes or modifications to the equipment by the user not expressly approved by the grantee or manufacturer could void the user's authority to operate such equipment.

DOC Compliance Notice

This digital apparatus does not exceed the Class A limit for radio noise emissions from digital apparatus set out in the radio interference regulation of Canadian Department of Communications.

CE Compliance

This monitor complies with the basic protection requirements of the Electromagnetic Compatibility (EMC) Directive 2004/108/EC for electrical and electronic equipment imported into the European Union (EU):



The electromagnetic disturbance generated by the apparatus does not exceed the level specified in the harmonized EMC Standards for this type of apparatus. It has a level of immunity to the electromagnetic disturbance to be expected in its intended use, and should operate without unacceptable degradation of its specified performance.

Connections

Back View of Monitor



The connector panel is located on the underside of the case rear projection, just above the stand.



Detailed View of the Connector Panel

Only use a properly grounded, three-wire cord appropriate for the local power system.

Remote control

The remote control offers various shortcuts and added convenience.



Controls & Menu Operation

Control Keys / Buttons

Buttons are located on the right side of the Bezel on OE-22LED3/OE-24LED3/OE-27LED3 models.



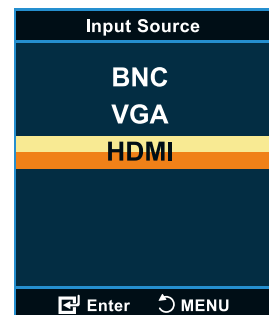
Source Auto detection function

When there is/are source(s) connected to the monitor, the monitor will auto detect the source(s) and auto select the desired source. The source should be selected manually when there is more than one source connected to the monitor.

“E” SOURCE button

To change the input selection, press “E” to display the pop-up menu, use up/down to highlight the desired “E” then press up/down to complete the selection.

To verify the current input selection, press “E” to display the pop-up, then press “M(MENU)” again to dismiss the pop-up.



- Press the button to display all the signal channel menus.
- When Main MENU displays as confirmation key during the OSD operation.

“M” MENU button

- Press the button to show the On-Screen Display main menu.
- Press the button to enter the sub-menu.

“▲” UP button

- Press the button, volume increase.

“▼” DOWN button

- Press the button, volume decrease.
- Press the button to scroll the cursor to desired function.

“⏻” POWER button

- Press the button to turn ON or turn OFF the monitor.

Brightness



Press ▲▼ buttons to adjust brightness on monitor.

One-Touch Button 4:3/16:9 Scale Toggle

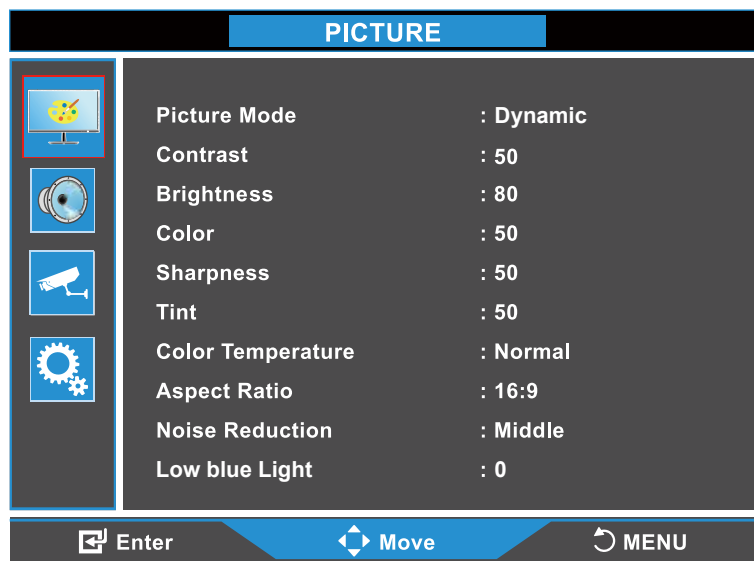
Press ▼ button to adjust the aspect ratio of the picture 4:3/16:9 scale toggle.

PICTURE

Press the MENU button to bring the menu on screen, and then up/down buttons to move along the menu selections to highlight the OSD menu. Press MENU to move the left side main menu selector into the window of menu choices and parameters.

Use the up/down buttons to move the highlighted sub-menu selection within the sub-menu. Pressing the up/down buttons will adjust the value of the highlighted item. Press the SOURCE button to exit the sub-menu and return to the main menu selector.

To exit the menu system, press SOURCE button.



Adjustments

Picture Mode: Choose User/Dynamic/Standard/Mild for the most pleasing image based on ambient light.

Contrast: Adjust the range of difference between light and dark areas of the picture.

Brightness: Adjust the overall picture intensity.

Color: Adjust the color saturation 0-100.

Sharpness: Change the balance between image detail (resolution) and degree of transition between areas of differing brightness.

Tint: Increase or decrease the intensity of colors in the image.

Color Temperature: Adjust color reproduction: choose between Normal/Warm/User/Cool.

Aspect Ratio: Choose between SD 4:3 and HD 16:9 aspect ratio. If analog images appear stretched use 4:3 scaling.

Noise Reduction: Reduce noise of the display image (LOW/MID/HIGH/OFF).

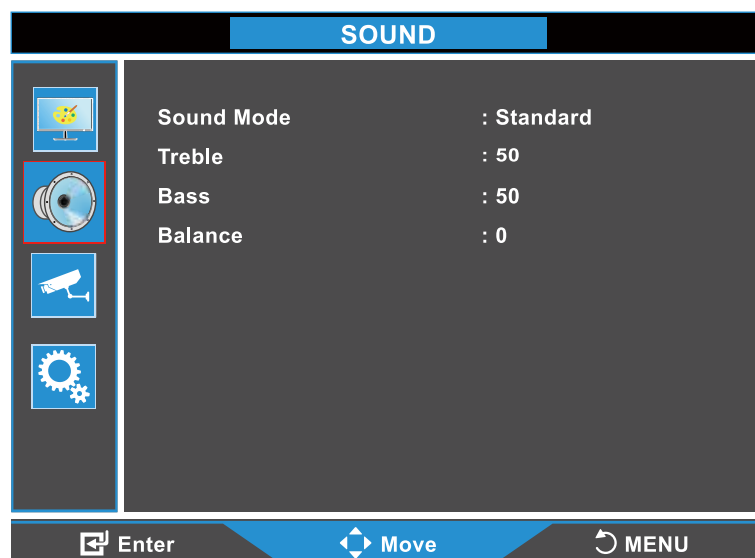
Low Blue Light: Adjust the low blue light of the menu (0-100).

SOUND

Press the MENU button to bring the menu on screen, and then the up/down buttons to move up along the main menu selections to choose the Brightness menu. Press MENU to move from the left side main menu selector into the window of menu choices and parameters.

Use the up/down buttons to move the highlighted sub-menu selection within the sub-menu. Pressing the up/down buttons will adjust the value of the highlighted item. Press the SOURCE button to exit the sub-menu and return to the main menu selector.

To exit the menu system, press SOURCE button.



Adjustments

Sound Mode: Select one of the presets (User, Sport, Movie, Music, Standard).

Treble: Boost/limit high frequency tones (0-100).

Bass: Boost/limit low frequency tones (0-100).

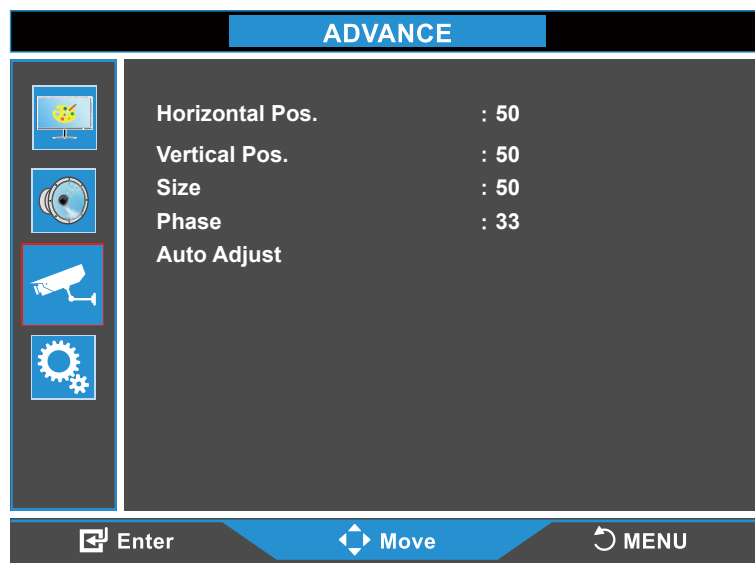
Balance: Change relative volume between left and right speakers.

ADVANCE

Press the MENU button to bring the menu on screen, and then up/down buttons to move along the menu selections to highlight the IMAGE menu. Press MENU to move from the left side main menu selector into the window of menu choices and parameters.

Use the up/down buttons to move the highlighted sub-menu selection within the sub-menu. Pressing the up/down buttons will adjust the value of the highlighted item. Press the SOURCE button to exit the sub-menu and return to the main menu selector.

To exit the menu system, press SOURCE button.



Adjustments

Horizontal Pos.: OSD horizontal position on the screen.

Vertical Pos.: OSD vertical position on screen.

Size: Adjust the size of the menu (0-100).

Phase: Reduce video distortion and instability components.

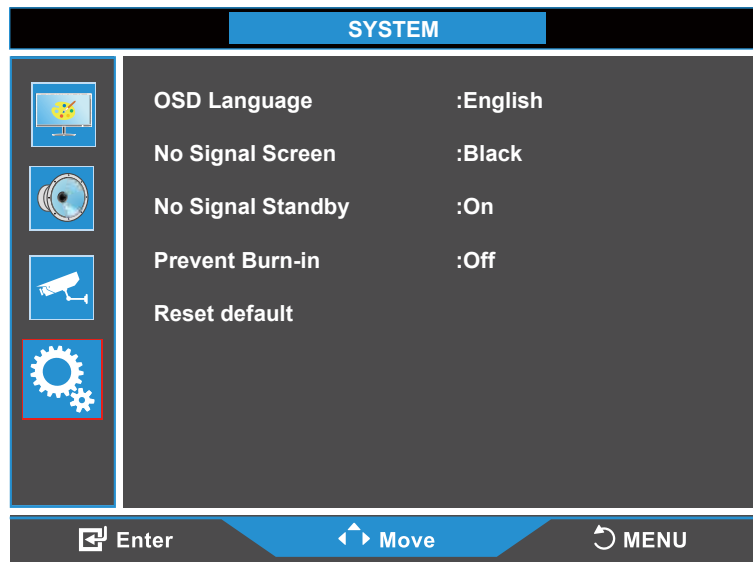
Auto Adjust: Allow automatic regulation.

SYSTEM

Press the MENU button to bring the menu on screen, and then up/down buttons to move along the menu selections to highlight the AUDIO menu. Press MENU to move from the left side main menu selector into the window of menu choices and parameters.

Use the up/down button to move the highlighted sub-menu selection within the sub-menu. Pressing the up/down buttons will adjust the value of the highlighted item. Press the SOURCE button to exit the sub-menu and return to the main menu selector.

To exit the menu system, press SOURCE button.



Adjustments

OSD Language: Choose OSD display language from English/French/Spanish Italian/Netherlands/Polish/Czech/Danish.

No Signal Screen: Show the color when there is "No Signal" (Blue/Black).

No Signal Standby: Show the color when there is "No Signal" (On/Off).

Prevent Burn-in: Set periodic image retention (On/Off).

Reset default: Reset the monitor settings to the factory default.

Mounting Guide

Wall or Other Mounting with VESA Standard

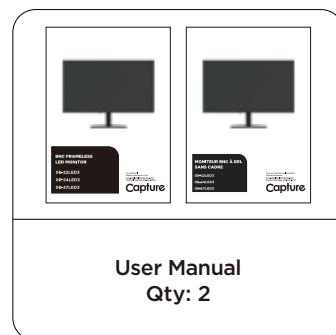
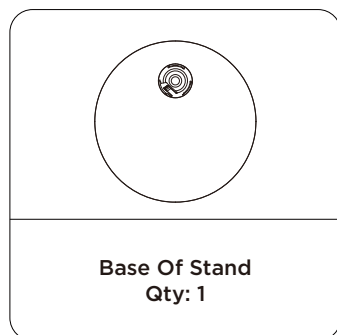
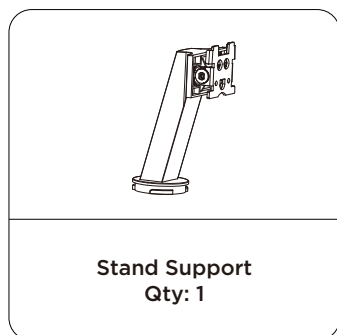
CAUTION The wall mount must bear a minimum of five times the monitor's net weight. To mount your MONITOR to the wall or another surface, you need to purchase a VESA wall mount. Use four M4-L8 mm screws (the base attachment screws removed in step 1 below are M4-L8 mm) to attach the mount. The monitor mount VESA hole pattern for OE-22LED3 is 75mm x 75mm; for OE-24LED3/OE-27LED3 it is 100mm x 100mm.

Note: Metric (M4-L8 mm) is the type of screw that should be used (do not use longer screws or the monitor may be damaged).

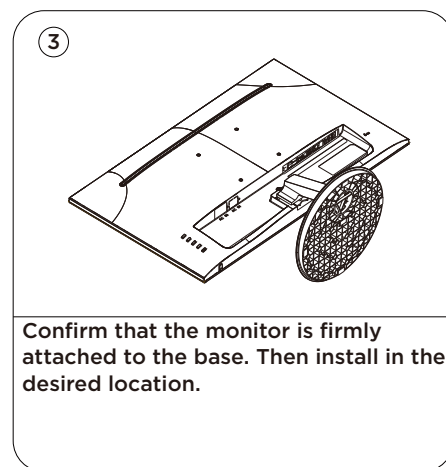
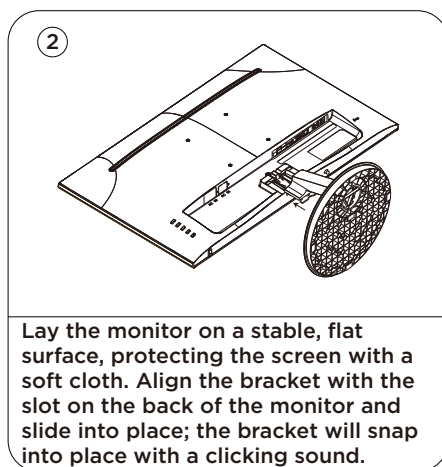
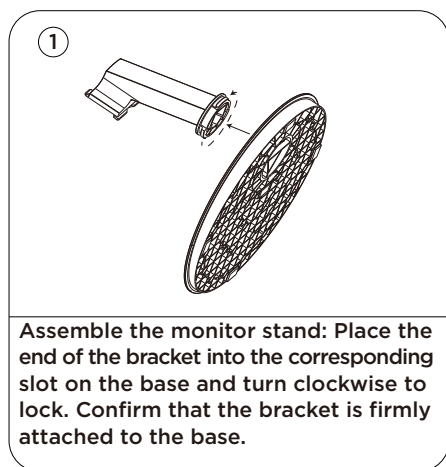
1. Before mounting the monitor, remove the bracket (vertical portion of the base) by removing the two screws near the top with a screwdriver. Then the base and the bracket can be removed. In order to prevent losing these screws, we suggest replacing the screws in their original holes.
2. Attach the VESA mount plate (OE-22LED3, 75mm x 75mm), (OE-24LED3/OE-27LED3, 100mm x 100mm) to the rear of the monitor and follow all of the instructions provided with the mount to complete the mounting process.



Accessories



Attaching the Stand

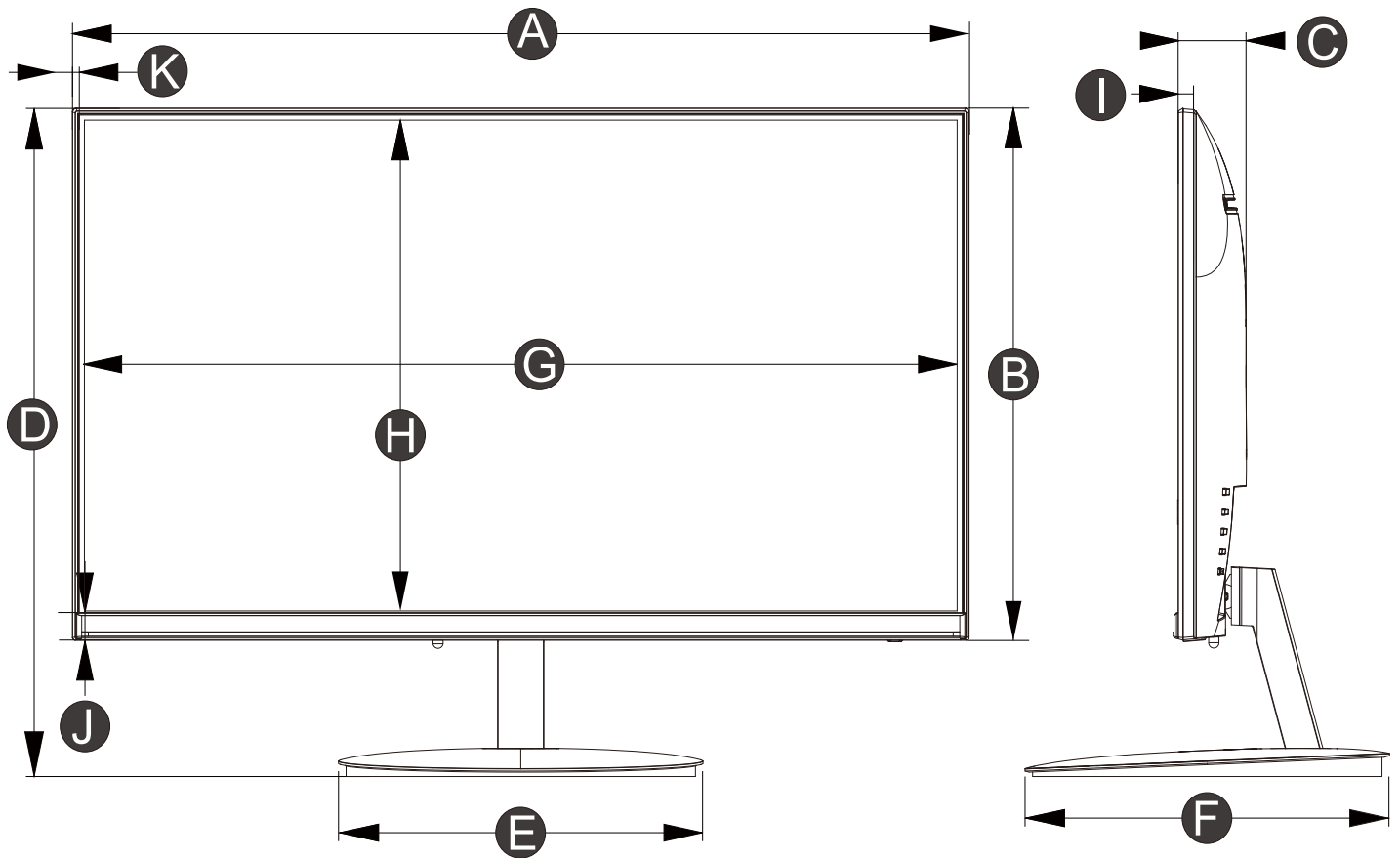


Power Indicator / Modes of Operation

LED Indicator

LED is off when power is off, LED glows blue when power is on, LED glows red when monitor is in sleep/standby mode. The power management feature of the monitor is designed for security surveillance applications. When there is no video, the monitor remains ON to be instantly ready to display video when the source is changed or if a PC changes state from sleep/standby to active mode. A floating "No Signal" box moves slowly across the screen until video is restored.

Dimensions



Letter	Model	OE-22LED3		OE-24LED3		OE-27LED3	
		mm	inch	mm	inch	mm	inch
A	Width of monitor body	492.4	19.3	541.2	21.3	613	24.1
B	Height of monitor body	280.2	11	321.1	12.6	361.4	14.2
C	Depth of monitor body	41	1.6	41	1.6	41	1.6
D	Height of monitor on base	360.3	14.1	403.4	15.8	444.6	17.5
E	Width of base	220	8.6	220	8.6	220	8.6
F	Depth of base	165.5	6.5	220	8.6	220	8.6
G	Width of viewable area	486	19.1	526.8	20.7	608.6	23.9
H	Height of viewable area	264.7	10.4	296.3	11.6	342.9	13.5
I	Thickness of monitor	7.1	0.2	10.9	0.4	11	0.4
J	Bottom bezel width	11.3	0.4	16.5	0.6	16.5	0.6
K	Side bezel width	2.4	0.1	3	0.1	2.2	0.08

Specifications

Model	OE-22LED3	OE-24LED3	OE-27LED3
Screen Diagonal Dimension (inches)	21.5	23.8	27
Viewable Area W x H (inches)	18.8 x 10.2	20.7 x 11.6	23.5 x 13.2
LED Type	LED		
Pixel Pitch (mm)	0.2493x0.241	0.2745 x 0.2745	0.3114 x 0.3114
Screen Maximum Resolution	1920x1080		
Display Resolutions	720x400; 640x480; 800x600; 1024x768; 1280x1024; 1366x768; 1920x1080		
Supported Input Resolutions			
Refresh Rate (Hz)	60		
Color Depth (M)	16.7		
Brightness (cd/m ²)	250		
Auto Adjust	Yes		
Monitor Aspect Ratio	16:9		
Display Aspect Ratio	OSD selectable 16:9 or 4:3		
Horizontal TV Lines	1080		
Contrast Ratio	4000:1SCR		
Response Time (ms)	5(GTG)		
View Angle H/V (degrees)	178°x 178°/CR>10		
Digital Video Inputs	HDMI up to 1920x1080		
Analog Video In/Out	VGA up to 1920x1080		
Connectors	HDMI x 1, VGA x 1, BNC IN x 1, BNC OUT x 1, AUDIO OUT x 1		
Audio Inputs (stereo)	1x3.5mm mini-jack		
Speakers (W)	2 x 2		
Stand-by (W)	<0.5		
Power Consumption	16W Typical	19W Typical	20W Typical
Monitor Body Dimensions	19.3" x 1.5" x 11" (490.2mm x 38.1mm x 279.4mm)	21.3" x 1.6" x 12.6" (541mm x 40.6mm x 312.4mm)	24.1" x 1.6" x 14.2" (612.1mm x 40.6mm x 360.6mm)
Dimension Monitor + Stand	19.3" x 8.6" x 14.1" (490.2mm x 218.4mm x 358.1mm)	21.3" x 8.6" x 15.8" (541mm x 218.4mm x 401.3mm)	24.1" x 8.6" x 17.5" (612.1mm x 218.4mm x 444.5mm)
Panel Surface	Matte black		
Case & Stand Material	Plastic		
VESA Mounting Pattern (mm)	75 x 75	100 x 100	
Base/Stand Included	Yes		
Base/Tilt Angle	-5°-15°		
Weight Cabinet Only	4.08 lbs. (1.85kg)	5.18 lbs. (2.34kg)	7.05 lbs. (3.2kg)
Weight Cabinet + Base Stand	4.85 lbs. (2.19kg)	5.95 lbs. (2.69kg)	7.82 lbs. (3.5kg)
Power Supply (internal)	AC 100 - 240V-50/60Hz 1.1A		
Operating Temperature	0°C-40°C / 32°F-104°F		
Storage Temperature	-20°C-50°C / -4°F-122°F		
Operating Humidity	10-90%		
Accessories	Power cable/HDMI cable/VGA cable/Audio cable/IR Remote Stand support/Screws/Base of stand/User manuals		
Mounting Screw Size (mm)	Screw for Mounting Monitor, Screws Type: M4-L8 mm/4pcs		
Certifications	CE/FCC/RoHS/HDMI/UL/WEEE/REACH		
Warranty	30 Months		

Limited Warranty

1. Limited Warranty

A. General

Subject to the terms and conditions of this Limited Warranty, from the date of sale through the period of time for product categories specified in Section 1(b), ADI warrants its Capture products to be free from defects in materials and workmanship under normal use and service, normal wear and tear excepted. Except as required by law, this Limited Warranty is only made to Buyer and may not be transferred to any third party.

ADI shall have no obligation under this Limited Warranty or otherwise if:

- (I) The product is improperly installed, applied or maintained;
- (II) The product is installed outside of stated operating parameters, altered, or improperly serviced or repaired;
- (III) Damage is caused by outside natural occurrences, such as lightning, power surges, fire, floods, acts of nature, or the like.
- (IV) Defects resulting from unauthorized modification, misuse, vandalism, or other causes unrelated to defective materials or workmanship, or failures related to batteries of any type used in connection with the products sold here under.

ADI only warrants those products branded as Capture products and sold by ADI. Any other products branded by third parties are warranted by the third party manufacturer for a period as defined by the third party manufacturer, and ADI assigns to Buyer those warranties and only those warranties extended by such third party manufacturers or vendors for non-ADI branded products. ADI does not itself warrant any non-ADI branded product and sells only on an as is basis in accordance with ADI's terms and conditions of sale.

B. Specific Warranties for Product Categories

Product Categories	Warranty
Monitors	30 months
Capture Advance Analog Cameras	36 months
DVRs, NVRs (excluding HDD)	36 months
Capture Advance IP Cameras	36 months

2. Exclusion of Warranties, Limitation of Liability

THERE ARE NO WARRANTIES OR CONDITIONS, EXPRESS OR IMPLIED, OF MERCHANTABILITY, OR FITNESS FOR A PARTICULAR PURPOSE OR OTHERWISE, WHICH EXTEND BEYOND THE DESCRIPTION ON THE FACE HEREOF. TO THE FULLEST EXTENT PERMITTED BY LAW, IN NO CASE SHALL ADI BE LIABLE TO ANYONE FOR ANY (I) CONSEQUENTIAL, INCIDENTAL, INDIRECT, SPECIAL, OR PUNITIVE DAMAGES ARISING OUT OF OR RELATING IN ANY WAY TO THE PRODUCT AND OR FOR BREACH OF THIS OR ANY OTHER WARRANTY OR CONDITION, EXPRESS OR IMPLIED, OR UPON ANY OTHER BASIS OF LIABILITY WHATSOEVER, EVEN IF THE LOSS OR DAMAGE IS CAUSED BY ADI'S OWN NEGLIGENCE OR FAULT AND EVEN IF ADI HAS BEEN ADVISED OF THE POSSIBILITY OF SUCH LOSSES OR DAMAGES.

Any product description (whether in writing or made orally by ADI or ADI's agents), specifications, samples, models, bulletin, drawings, diagrams, engineering sheets, or similar materials used in connection with the Buyer's order are for the sole purpose of identifying ADI's products and shall not be construed as an express warranty or condition. Any suggestions by ADI or ADI's agents regarding use, applications or suitability of the products shall not be construed as an express warranty or condition unless confirmed to be such in writing by ADI. ADI does not represent that the products it sells may not be compromised or circumvented; that the products will prevent any personal injury or property loss by burglary, robbery, fire or otherwise, or that the products will in all cases provide adequate warning or protection. Buyer understands and will cause its customer to understand that a properly installed and maintained product is not insurance or guarantee that such will not cause or lead to personal injury or property loss.

CONSEQUENTLY ADI SHALL HAVE NO LIABILITY FOR ANY PERSONAL INJURY, PROPERTY DAMAGE OR OTHER LOSS BASED ON ANY CLAIM AT ALL INCLUDING A CLAIM THAT THE PRODUCT FAILED TO GIVE WARNING. However, if ADI is held liable whether directly or indirectly for any loss or damage with respect to the products it sells, regardless of cause or origin, its maximum liability shall not in any case exceed the purchase price of the product, which shall be fixed as liquidated damages and not as a penalty and shall be the complete and exclusive remedy against ADI. FOR THE AVOIDANCE OF DOUBT, ADI DOES NOT SEEK HEREUNDER TO EXCLUDE OR RESTRICT ITS LIABILITY IN RELATION TO (I) FRAUD, (II) DEATH OR PERSONAL INJURY DIRECTLY RESULTING FROM ITS NEGLIGENCE OR (III) ANY MATTER IN RESPECT OF WHICH, BY LAW, IT IS NOT PERMITTED TO RESTRICT ITS LIABILITY.

3. Limitation on Liability to Buyer's Customers

Buyer agrees to limit liability to its customers to the fullest extent permitted by law. Buyer acknowledges that ADI shall only be deemed to give consumers of its products such statutory warranties as may be required by law and at no time shall Buyer represent to its customers and/or users of ADI products that ADI provides any additional warranties. By accepting the products, to the fullest extent permitted by law, Buyer assumes all liability for, and agrees to indemnify and hold ADI harmless against and defend ADI from, any and all suits, claims, demands, causes of action and judgments relating to damages, whether for personal injury or to personal property, suffered by any person, firm, corporation or business association, including but not limited to, Buyer's customers and/or users of the products because of any failure of the products to detect and/or warn of the danger for which the goods were designed or any other failure of the products whether or not such damages are caused or contributed to by the sold or joint concurring negligence or fault of ADI.

4. Returns

Subject to the terms and conditions listed below, during the applicable warranty period, ADI will replace Product or provide a credit at purchase at its sole option free of charge any defective products returned prepaid. Any obligations of ADI to replace Limited Lifetime warranty products pursuant to this warranty which result from defect are limited to the availability of replacement product. ADI reserves the right to replace any such products with the then currently available products, or provide a credit in its sole discretion. In the event Buyer has a problem with any ADI product, please call your local ADI branch for return instructions:

Be sure to have the model number and the nature of the problem available. In the event of replacement, the return product will be credited to Buyer's account and a new invoice issued for the replacement item. ADI reserves the right to issue a credit only in lieu of replacement.

If any Capture product is found to be in good working order or such product's inability to function properly is a result of user damage or abuse, the product will be returned to Buyer in the same condition as received and Buyer shall be responsible for any return freight changes.

5. Governing Law

The laws of State of New York apply to this Limited Warranty.

6. Miscellaneous

Where any term of this Limited Warranty is prohibited by such laws, it shall be null and void, but the remainder of the Limited Warranty shall remain in full force and effect.

For additional Capture
information visit
www.adiglobaldistribution.com
Technical Support: 833-574-9124



The terms HDMI, HDMI High-Definition Multimedia Interface, HDMI Trade dress and the HDMI Logos are trademarks or registered trademarks of HDMI Licensing Administrator, Inc.

Capture





**MONITEUR BNC À DEL
SANS CADRE**

0E-22LED3

0E-24LED3

0E-27LED3

Pour de plus amples renseignements
de Capture, visitez

www.adiglobaldistribution.com
Soutien technique: 833-574-9124

Capture

Contenu

Contenu.....	1
Sécurité.....	1
Caution	3
Déclaration de la FCC relative aux interférences RF	4
Raccordements	5
Commandes et fonctionnement du menu	6
Guide de montage	11
Accessoires	12
Fixer le support	12
Voyant d'alimentation/modes de fonctionnement	12
Dimensions	13
Spécifications	14
Garantie limitée	15

Sécurité

1. Lisez l'intégralité de ces instructions et respectez toutes les exigences.
2. Conservez ces instructions pour futures références.
3. Conformez-vous à toutes les consignes et mises en garde incluses dans ce manuel et présentes sur le produit.
4. Coupez l'alimentation du moniteur avant de le nettoyer. Utilisez un chiffon humide. N'utilisez pas de nettoyeurs liquides ou en aérosol.
5. N'utilisez jamais le moniteur dans des zones humides ou près de l'eau.
6. N'installez jamais le moniteur sur une surface instable. La chute de ce dernier peut causer des blessures corporelles ou des dégâts matériels.
7. Assurez-vous que l'emplacement sélectionné et la disposition du moniteur respectent les conditions suivantes :
 - A. Prévoyez un dégagement minimum de 4 pouces (10,16 cm) autour du moniteur pour la ventilation.
 - B. Ne laissez aucun objet (par ex. : papier, chiffon, etc.) obstruer les ouvertures de ventilation du moniteur.
 - C. Éloignez le moniteur de toute source de flamme nue (par ex. : bougies allumées).

- D. Si les batteries sont usagées, veuillez les mettre au rebut conformément aux réglementations locales.
- E. Utilisez le moniteur en intérieur, en respectant les caractéristiques de température et d'humidité.
8. Le moniteur doit être alimenté à partir de la source d'alimentation indiquée à l'arrière du moniteur.
 9. La prise de mise à la terre trifilaire (équipée d'une troisième broche [de mise à la terre]) utilisée sur ce moniteur constitue un dispositif de sécurité. Ne mettez pas le moniteur sous tension sans prise de mise à la terre.
 10. Lors de l'installation, veillez à ne pas exposer le câble du moniteur afin d'éviter que l'on ne marche sur ce dernier ou qu'un autre objet appuie sur ou entre en contact avec le câble.
 11. Si vous utilisez une rallonge pour l'alimentation du moniteur, veillez à ce que l'intensité totale de tous les appareils branchés sur la rallonge ne dépasse pas l'intensité nominale de cette dernière ni la puissance nominale de la prise.
 12. Pour éviter tout risque d'incendie ou de choc électrique causé par un contact avec les points de tension dangereux ou les pièces endommagées, n'insérez jamais d'objets dans les fentes du coffret du moniteur. Ne renversez aucun liquide sur le moniteur.
 13. N'essayez pas de réparer vous-même le moniteur. L'ouverture ou le retrait du couvercle peut vous exposer aux points de tension dangereux ou à d'autres risques.
 14. Si l'un des problèmes ci-après survient, coupez l'alimentation du moniteur et confiez les réparations à un spécialiste qualifié :
 - A. La prise ou le câble d'alimentation est endommagé ou effiloché.
 - B. Du liquide a été renversé dans le moniteur.
 - C. Le moniteur a été exposé à la pluie, à l'eau ou à d'autres liquides.
 - D. Le moniteur ne fonctionne pas comme prévu, conformément aux consignes d'utilisation. Ne réglez que les commandes décrites dans le manuel d'utilisation. Le mauvais réglage d'autres commandes peut entraîner le non-fonctionnement du moniteur et l'annulation de la garantie.
 - E. Le moniteur est tombé ou le coffret a été endommagé.
 - F. Le moniteur présente une baisse des performances, indiquant qu'une réparation est nécessaire.

Remarque:

Le câble d'alimentation électrique fait office de dispositif de déconnexion principal. Assurez-vous que la prise électrique est située/installée près du moniteur et est facilement accessible.

Caution

CE PRODUIT EMPLOIE LE CORDON D'ALIMENTATION COMME DISPOSITIF DE MISE HORS TENSION. SPÉCIALISTE QUALIFIÉ : VEUILLEZ DÉBRANCHER CE PRODUIT DE LA PRISE MURALE AVANT DE RETIRER LE COUVERCLE ARRIÈRE ET D'EFFECTUER DES RÉPARATIONS.

1. N'ouvrez jamais le boîtier du moniteur.

Seul un spécialiste qualifié peut procéder à l'ouverture du boîtier. Il n'y a aucune pièce interne pouvant être réparée par l'utilisateur.

2. Ne pas utiliser dans des environnements pouvant présenter des dangers.

Pour éviter tout risque de choc électrique ou d'incendie, n'exposez pas le moniteur à la pluie ou à l'humidité. Ce moniteur est conçu pour une utilisation en environnement résidentiel ou commercial. N'exposez pas le moniteur à la poussière ou à des vibrations excessives, ni à des gaz corrosifs.

3. Conserver dans un endroit bien aéré.

Le coffret est équipé de fentes de ventilation permettant de contrôler la température interne du moniteur. Ne recouvrez pas ces aérations et ne placez aucun objet sur l'unité afin de ne pas obstruer ces fentes.

4. Évitez la chaleur excessive.

N'exposez pas le moniteur à la lumière directe du soleil ou à proximité d'un appareil chauffant.

5. Pour éliminer la fatigue oculaire.

N'utilisez pas le moniteur devant un arrière-plan aveuglant et ne l'exposez pas à la lumière directe du soleil ou d'autres sources lumineuses.

6. Attention aux objets lourds.

Ne posez pas le moniteur ni aucun autre objet lourd sur le cordon d'alimentation. Un cordon d'alimentation endommagé peut entraîner des risques d'incendie ou de choc électrique.

Declaration de la FCC relative aux interférences RF

Cet équipement a été testé et déclaré conforme aux limites des appareils numériques de catégorie B, dans le cadre de la Section 15 des règles de la FCC. Ces limites sont établies afin d'offrir une protection raisonnable contre les interférences dangereuses des installations résidentielles.



Cet équipement génère, utilise et peut émettre des énergies à fréquence radioélectrique et, en cas d'installation ou d'utilisation non conformes aux présentes instructions, peut provoquer des interférences dangereuses des communications radio. Cependant, nous ne pouvons garantir l'absence totale d'interférences au sein des installations spécifiques.

Si l'équipement provoque des interférences dangereuses lors de la réception des signaux radio ou de télévision (que vous pouvez identifier en éteignant et en allumant l'appareil), nous vous invitons à corriger ce problème en appliquant l'une ou plusieurs des mesures suivantes :

- Réorientez ou changez l'emplacement de l'antenne de réception.
- Augmentez l'espace entre l'équipement et le récepteur.
- Connectez l'équipement à la prise à l'aide d'un circuit différent de celui connecté au récepteur.
- Utilisez uniquement un câble d'interface blindé.

Enfin, toute modification apportée par l'utilisateur à l'équipement et non approuvée, de manière explicite, par le concessionnaire ou le fabricant, peut annuler l'autorité accordée à l'utilisateur concernant l'utilisation de cet équipement.

Avis de conformité DOC

L'équipement numérique ne dépasse pas les limites de catégorie A concernant les émissions de bruits radioélectriques des appareils numériques, telles que définies dans la réglementation relative aux interférences radioélectriques du Ministère des Communications du Canada (Department of Communications).

Conformité CE

Ce moniteur est conforme aux exigences de protection basiques de la directive 2004/108/CE relative à la compatibilité électromagnétique (CEM) des équipements électriques et électroniques importés au sein de l'Union européenne (UE) :



Les perturbations électromagnétiques produites par l'équipement ne dépassent pas le niveau spécifié par les normes harmonisées relatives à la CEM pour ce type d'équipement. Le niveau d'immunité aux perturbations électromagnétique de cet appareil est conforme à son utilisation prévue et il doit fonctionner sans dégradation inacceptable des performances indiquées.

Raccordements

Vue arrière du moniteur



Le panneau de raccordements est situé sous le ressaut arrière du boîtier, juste au-dessus du pied.



Vue détaillée du panneau de raccordements

Utilisez uniquement un câble trifilaire correctement mis à la terre pour le système d'alimentation local.

Télécommande

La télécommande offre divers raccourcis et autres éléments pratiques



Commandes et fonctionnement du menu

Touches/boutons de contrôle

Sur les modèles OE-22LED3/OE-24LED3/OE-27LED3 les boutons sont situés sur la droite du cadre.



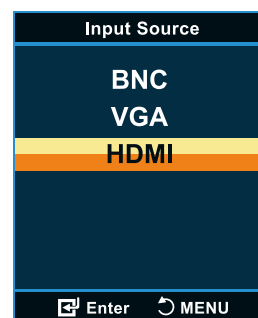
Fonction de détection automatique de la source

Lorsqu'une ou des source(s) sont raccordées au moniteur, celui-ci détectera automatiquement la ou les source(s) et sélectionnera automatiquement la source souhaitée. La source doit être sélectionnée manuellement lorsque plus d'une source sont raccordées au moniteur.

Bouton « E » (SOURCE)

Pour modifier la sélection d'entrée, appuyez sur « E » pour afficher le menu local, utilisez haut/bas pour mettre en surbrillance le « E » souhaité, puis appuyez sur haut/bas pour terminer la sélection.

Pour vérifier la sélection d'entrée actuelle, appuyez sur « E » pour afficher la fenêtre contextuelle, puis appuyez à nouveau sur « M (MENU) » pour fermer la fenêtre contextuelle.



- Appuyez sur le bouton pour afficher tous les menus du canal de signal.
- Lorsque le MENU principal s'affiche en tant que touche de confirmation pendant le fonctionnement de l'OSD.

Bouton « M » (MENU)

- Appuyez sur le bouton pour afficher le menu principal de l'OSD.
- Appuyez sur le bouton pour accéder au sous-menu.

Bouton « ▲ » (HAUT)

- Appuyez sur le bouton pour augmenter le volume.

Bouton « ▼ » (BAS)

- Appuyez sur le bouton pour diminuer le volume.
- Appuyez sur le bouton pour faire défiler le curseur jusqu'à la fonction souhaitée.

Bouton « ⏻ » (MARCHE/ARRÊT)

- Appuyez sur le bouton pour ALLUMER ou ÉTEINDRE le moniteur.

Luminosité



Appuyez sur les ▲▼ boutons pour régler le volume sur le moniteur.

Bascule d'échelle 4:3/16:9 à bouton unique

Press ▼ bouton pour régler le facteur de forme de l'image avec la sélection d'échelle 4:3/16:9.

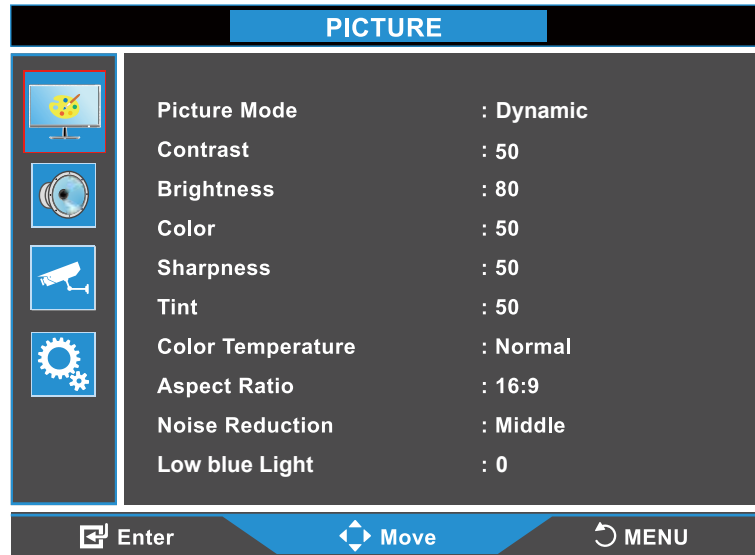
PICTURE

Appuyez sur le bouton MENU pour afficher le menu à l'écran, puis sur les touches haut/bas pour parcourir les options du menu et sélectionner le menu OSD.

Appuyez sur les touches haut/bas pour déplacer le sélecteur du menu principal, sur la gauche, vers la fenêtre de paramètres et options de menu.

Utilisez les touches haut/bas pour parcourir les options de sous-menu sélectionnées en jaune, dans le sous-menu. Appuyez sur les touches de haut/bas pour régler la valeur de l'élément sélectionné. Appuyez sur le bouton SOURCE pour quitter le sous-menu et revenir au sélecteur du menu principal.

Pour quitter le système du menu, appuyez sur SOURCE.



Ajustements

Picture Mode: Choisissez User/Dyanamic/Mild/Standard (Utilisateur/Dynamique/Doux Standard) pour obtenir un résultat d'image optimal en fonction de la lumière ambiante.

Contrast: Équilibre la différence entre les zones lumineuses et les zones sombres de l'image.

Brightness: Ajuste l'intensité générale de l'image.

Color: Réglage de la saturation de couleur de 0 à 100.

Sharpness: Modifie l'équilibre entre le détail de l'image (résolution) et le niveau de transition entre les zones de luminosité différente.

Tint: Augmente ou diminue l'intensité des couleurs de l'image.

Color Temperature: Ajustez la reproduction des couleurs: choisissez entre Normal/chaud /Utilisateur/Cool.

Aspect Ratio: Choisissez le format d'image SD 4:3 ou HD 16:9. Si les images analogiques semblent être étirées, utilisez le format 4:3.

Noise Reduction: Réduction du bruit de l'image affichée (BAS/DOUX/ÉLEVÉ/ÉTEINT).

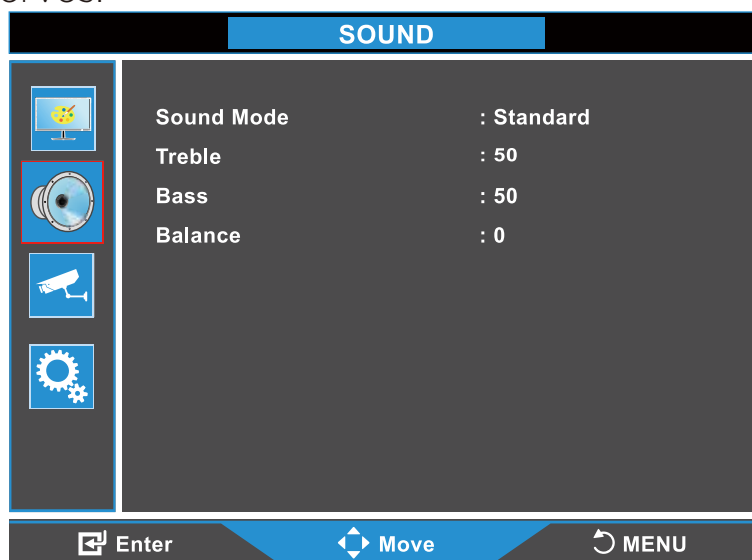
Low blue Light: Réglez la faible lumière bleue du menu (0-100).

SOUND

Appuyez sur le bouton MENU pour afficher le menu à l'écran, puis sur les touches haut/bas pour parcourir les options du menu principal et sélectionner le menu Brightness (Luminosité). Appuyez sur les touches haut/bas pour passer du sélecteur du menu principal, sur la gauche, à la fenêtre de paramètres et options de menu.

Utilisez les touches haut/bas pour parcourir les options de sous-menu sélectionnées en jaune, dans le sous-menu. Appuyez sur les touches de haut/bas pour régler la valeur de l'élément sélectionné. Appuyez sur le bouton SOURCE pour quitter le sous-menu et revenir au sélecteur du menu principal.

Pour quitter le système du menu, appuyez sur SOURCE. Les paramètres affichés à l'écran sont conservés.



Ajustements

Sound Mode: Sélectionnez l'un des préréglages (Utilisateur, Sport, Film, Musique, Standard).

Treble: Augmente/diminue les tonalités de haute fréquence (0 à 100).

Bass: Augmente/diminue les tonalités de basse fréquence (0 à 100).

Balance: Change le volume relatif entre les enceintes de droite et de gauche.

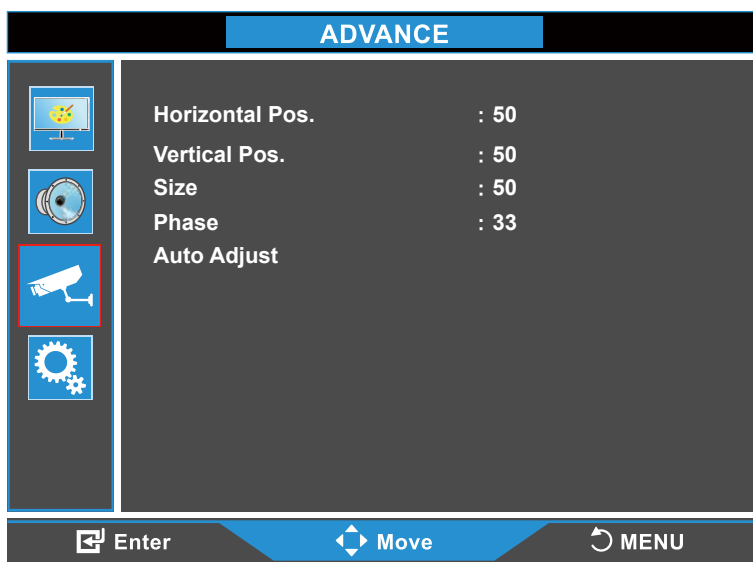
ADVANCE

Appuyez sur le bouton MENU pour afficher le menu à l'écran, puis sur les touches haut/bas pour parcourir les options du menu et surligner le menu IMAGE.

Appuyez sur les touches haut/bas pour passer du sélecteur du menu principal, sur la gauche, à la fenêtre de paramètres et options de menu.

Utilisez les touches haut/bas pour parcourir les options de sous-menu sélectionnées en jaune, dans le sous-menu. Appuyez sur les touches de haut/bas pour régler la valeur de l'élément sélectionné. Appuyez sur le bouton SOURCE pour quitter le sous-menu et revenir au sélecteur du menu principal.

Pour quitter le système du menu, appuyez sur SOURCE. Les paramètres affichés à l'écran sont conservés.



Ajustements

Horizontal Pos.: Position horizontale des réglages à l'écran.

Vertical Pos.: Position verticale des réglages à l'écran.

Size: Ajustez la taille du menu (0-100).

Phase: Éléments de réduction de la déformation et de l'instabilité video.

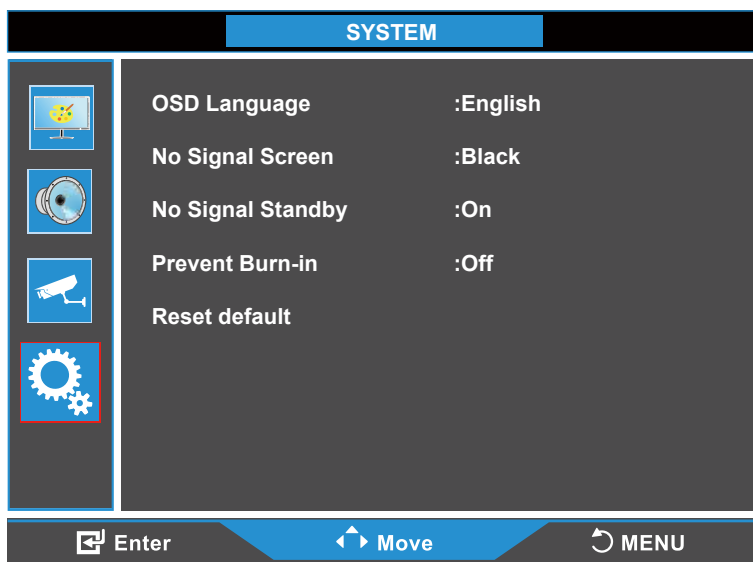
Auto Adjust: Permettre la régulation automatique.

SYSTEM

Appuyez sur le bouton SOURCE pour afficher le menu à l'écran, puis sur les touches haut/bas pour parcourir les options du menu et sélectionner le menu AUDIO. Appuyez sur les touches haut/bas pour passer du sélecteur du menu principal, sur la gauche, à la fenêtre de paramètres et options de menu.

Utilisez les touches haut/bas pour parcourir les options de sous-menu sélectionnées en jaune, dans le sous-menu. Appuyez sur les touches de haut/bas pour régler la valeur de l'élément sélectionné. Appuyez sur le bouton SOURCE pour quitter le sous-menu et revenir au sélecteur du menu principal.

Pour quitter le système du menu, appuyez sur SOURCE.



Ajustements

OSD Language: Choisissez parmi les langues suivantes pour régler la langue d'affichage OSD: Anglais/français/espagnol/italien/néerlandais/polonais/tchèque/danois.

No Signal Screen: Affichage de la couleur en cas de « No Signal » (Aucun signal) (bleu/noir) No Sig.

No Signal Standby: Affichage de la couleur en cas de « No Signal » (Aucun signal) (activé/désactivé).

Prevent Burn-in: Réglage périodique de la rétention d'image (activé/désactivé).

Reset default: Réinitialisation des paramètres du moniteur aux paramètres d'usine par défaut.

Guide de montage

Montage mural ou autre avec la norme VESA

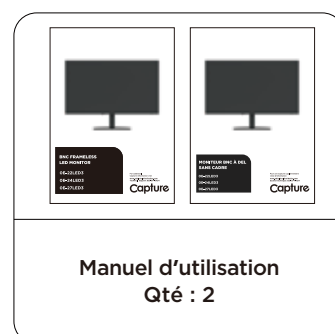
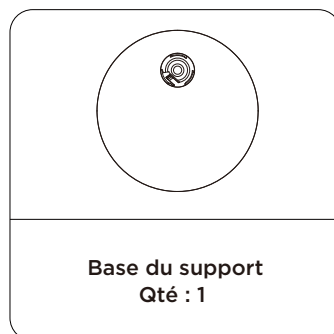
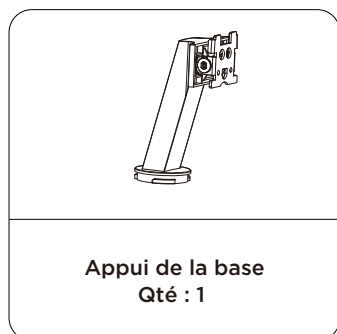
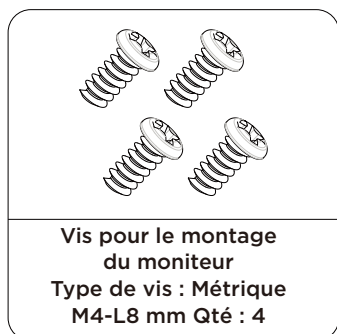
ATTENTION Le support mural doit supporter au moins cinq fois la tension nette du moniteur. Pour monter votre MONITOR au mur ou sur une autre surface, vous devez acheter un support mural VESA. Utilisez quatre vis M4-L8 mm (la fixation de la base les vis retirées à l'étape 1 ci-dessous sont M4-L8 mm) pour fixer le support. Le modèle de trou VESA du support de moniteur est OE-22LED3 (75mm X 75mm), OE-24LED3 /27LED3 (100mm X 100mm).

Note: Des vis de type métrique (M4-L8 mm) sont recommandées (n'utilisez pas de vis plus longues, au risque d'endommager le moniteur).

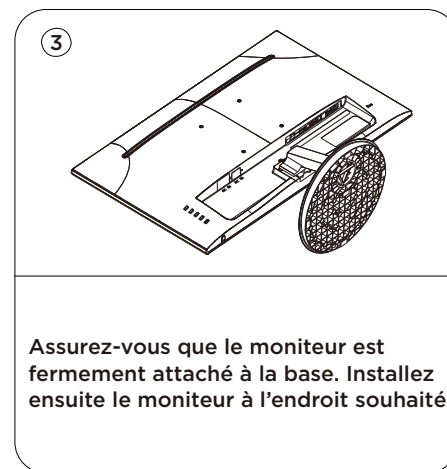
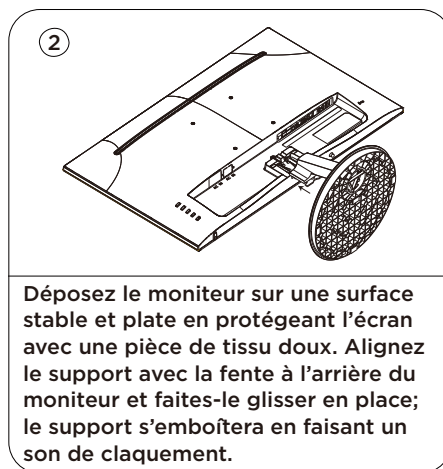
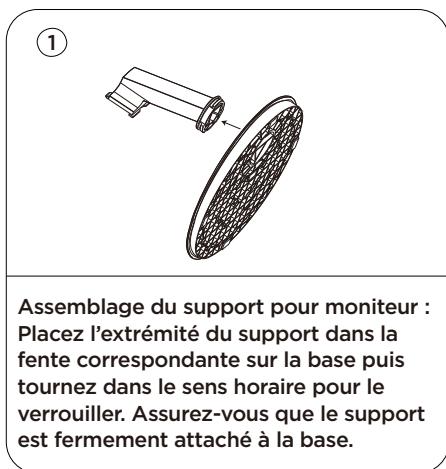
1. Avant de monter le moniteur, retirez la colonne du socle (partie verticale du socle) en enlevant les deux vis situées en haut du support, à l'aide d'un tournevis. Vous pouvez alors ôter le socle et la colonne. Afin d'éviter de perdre ces vis, nous vous conseillons de les replacer dans leurs trous d'origine.
2. Fixez la plaque du support VESA OE-22LED3, (75 mm x 75 mm), OE-24LED3/27LED3, (100 mm x 100 mm) à l'arrière du moniteur et suivez toutes les instructions fournies avec le support pour finaliser le processus d'assemblage.



Accessories



Fixer le support

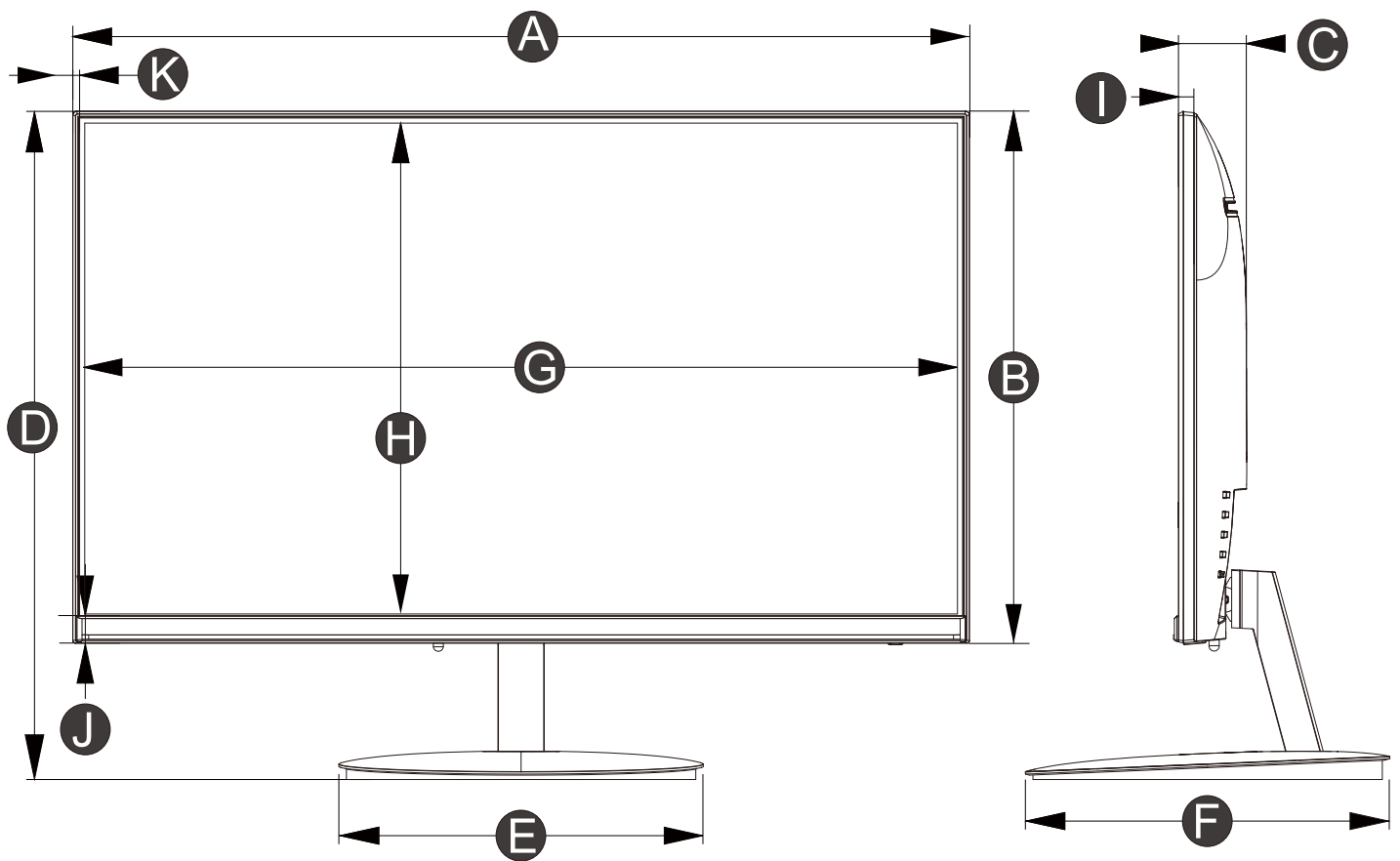


Voyant d'alimentation/modes de fonctionnement

LED Indicator

La DEL est éteinte lorsque hors tension, la DEL s'allume en bleu lorsque sous tension, la DEL s'allume en rouge lorsque le moniteur est en mode veille. La fonction de gestion de l'alimentation du moniteur est conçue pour les applications de surveillance de la sécurité. Lorsqu'il n'y a pas de vidéo, le moniteur reste allumé afin d'afficher immédiatement la vidéo dès que la source est connectée ou que le PC passe du mode veille au mode actif. Une fenêtre flottante « No Signal (Pas de signal) » se déplace lentement sur l'écran jusqu'à ce que la vidéo soit restaurée.

Dimensions



	Modèle	OE-22LED3		OE-24LED3		OE-27LED3	
Lettre	Dimensions	mm	pouce	mm	pouce	mm	pouce
A	Largeur du corps du moniteur	492,4	19,3	541,2	21,3	613	24,1
B	Hauteur du corps du moniteur	280,2	11	321,1	12,6	361,4	14,2
C	Profondeur du corps du moniteur	41	1,6	41	1,6	41	1,6
D	Hauteur du moniteur sur socle	360,3	14,1	403,4	15,8	444,6	17,5
E	Largeur du socle	220	8,6	220	8,6	220	8,6
F	Profondeur du socle	165,5	6,5	220	8,6	220	8,6
G	Largeur de la surface visible	486	19,1	526,8	20,7	608,6	23,9
H	Hauteur de la surface visible	264,7	10,4	296,3	11,6	342,9	13,5
I	Épaisseur du moniteur	7,1	0,2	10,9	0,4	11	0,4
J	Largeur du cadre inférieur	11,3	0,4	16,5	0,6	16,5	0,6
K	Largeur du cadre latéral	2,4	0,1	3	0,1	2,2	0,08

Spécifications

Modèle	OE-22LED3	OE-24LED3	OE-27LED3
Dimension diagonale de l'écran (pouces)	21,5	23,8	27
Surface visible l x H (pouces)	18,8 x 10,2	20,7 x 11,6	23,5 x 13,2
Type de DEL	Sources		
Pas de pixel (pitch) (mm)	0,2493x0,241	0,2745x0,2745	0,3114x0,3114
Résolution maximale de l'écran	1920x1080		
Résolutions d'affichage	640 x 480; 800 x 600; 1024 x 768; 1280 x 1024; 1600 x 900; 1920 x 1080		
Résolutions d'entrée prises en charge			
Fréquence de rafraîchissement (Hz)	60		
Profondeur des couleurs (M)	16,7		
Luminosité (cd/m ²)	250		
Réglage automatique	Oui		
Format du moniteur	16:9		
Format de l'écran	OSD ajustable 16:9 ou 4:3		
Lignes TV horizontales	1080		
Rapport de contraste	4000: 1SCR		
Temps de réponse (ms)	5ms (G2G)		
Angle de vision H/V (degrés)	178° x 178°/CR>10		
Entrées vidéo numériques	HDMI jusqu'à 1920 x 1080		
Entrée/sortie vidéo analogique	VGA jusqu'à 1920 x 1080		
Connecteurs	HDMI x 1, VGA x 1, BNC entrée x 1, BNC sortie x 1, Audio sortie x 1		
Entrées audio (stéréo)	1 mini-prise jack de 3,5 mm		
Haut-parleurs (W)	2 x 2		
En veille (W)	<0,5		
Consommation électrique	16W Type	19W Type	20W Type
Dimensions du corps du moniteur	19,3 po x 1,5 po x 11 po (490,2mm x 38,1mm x 279,4mm)	21,3 po x 1,6 po x 12,6 po (541mm x 40,6mm x 312,4mm)	24,1 po x 1,6 po x 14,2 po (612,1mm x 40,6mm x 360,6mm)
Dimensions max. du moniteur + pied	19,3 po x 8,6 po x 14,1 po (490,2mm x 218,4mm x 358,1mm)	21,3 po x 8,6 po x 15,8 po (541mm x 218,4mm x 401,3mm)	24,1 po x 8,6 po x 17,5 po (612,1mm x 218,4mm x 444,5mm)
Surface du panneau	Noir mat		
Matériau du boîtier et du pied	Plastique		
Configuration de montage VESA (mm)	75 x 75	100 x 100	
Socle/pied inclus	Oui		
Angle de rotation/socle	-5°-15°		
Poids du coffret uniquement	4,08 lbs. (1,85kg)	5,18 lbs. (2,34kg)	7,05 lbs. (3,2kg)
Poids du coffret + pied/socle	4,85 lbs. (2,19kg)	5,95 lbs. (2,69kg)	7,82 lbs. (3,5kg)
Alimentation électrique (interne)	CA 100-240 V-50/60Hz 1,1A		
Température de service	0°C-40°C / 32°F-104°F		
Température de stockage	-20°C-50°C / -4°F-122°F		
Taux d'humidité de service	10-90%		
Accessoires	Câble d'alimentation/Câble HDMI/Câble VGA/Câble audio/Télécommande IR/Appui de la base/Vis/Base du support/Manuels de l'utilisateur		
Taille des vis pour montage sur baie (mm)	Vis pour installer le support du moniteur, type de vis: M4-L8 mm/4pcs		
Certifications	CE/FCC/RoHS/HDMI/UL/WEEE/REACH		
Garantie	30 mois		

Garantie limitée

1. Garantie Limitée

A. Général

Sous réserve des modalités de la présente garantie limitée, à compter de la date de vente et pendant la période de garantie applicable aux catégories de produits précisées au paragraphe 1(b), ADI garantit que ses produits Capture sont libres de tout vice de matériaux et de fabrication dans des conditions d'utilisation et d'entretien normales, sauf l'usure normale. Sauf si la loi l'exige, la présente garantie limitée est offerte uniquement à l'acheteur et ne peut être transférée à un tiers.

En vertu de la présente garantie limitée et autre obligation, ADI n'endossera aucune responsabilité dans les cas suivants :

- (I) Le produit est mal installé, mal appliqué ou mal entretenu;
- (II) Le produit est installé de manière non conforme aux paramètres d'utilisation indiqués, est modifié ou est mal entretenu ou réparé;
- (III) Le produit est endommagé suite à des phénomènes naturels extérieurs comme la foudre, une surcharge électrique, un incendie, une inondation, un acte de la nature ou un phénomène similaire;
- (IV) Présente des défauts liés à des modifications non autorisées, mauvaise utilisation, vandalisme ou autres causes non liées aux vices de matériaux ou de fabrication, ou à une défaillance des piles, de quelque type que ce soit, utilisées avec les produits vendus aux termes des présentes.

ADI ne garantit que les produits portant la marque Capture qu'elle vend. Les autres produits portant une marque de tiers sont garantis par le fabricant tiers pendant une période définie par ce dernier, et ADI cède à l'acheteur ces garanties et uniquement les garanties offertes par ces fabricants tiers ou vendeurs à l'égard de produits ne portant pas ses marques. ADI ne garantit pas de produits ne portant pas ses marques et vend ces produits tels quels, conformément à ses modalités de vente.

B. Garanties spécifiques pour les catégories de produits

Catégories de produits	Garantie
Moniteurs	30 mois
Capturez des caméras analogiques avancées	36 mois
DVR, NVR (à l'exclusion des disques durs)	36 mois
Capturez les caméras IP Advance	36 mois

2. Exclusion de garanties, limitation de responsabilité

IL N'EXISTE AUCUNE GARANTIE, EXPRESSE OU IMPLICITE, DE QUALITÉ MARCHANDE OU DE CONVENANCE À UNE FIN PARTICULIÈRE, DONT LA PORTÉE EST PLUS LARGE QUE LA DESCRIPTION INCLUSE DANS CETTE GARANTIE. DANS LA PLEINE MESURE PERMISE PAR LA LOI, ADI NE SAURAIT EN AUCUN CAS ÊTRE TENUE RESPONSABLE ENVERS QUICONQUE DES DOMMAGES CONSÉCUTIFS, INDIRECTS, SPÉCIAUX OU PUNITIFS DÉCOULANT DU PRODUIT OU LIÉS À CELUI-CI DE QUELQUE FAÇON QUE CE SOIT ET/OU DU NON-RESPECT DE LA PRÉSENTE GARANTIE OU DE TOUTE AUTRE GARANTIE OU CONDITION, EXPRESSE OU IMPLICITE, OU DE TOUTE AUTRE RÉCLAMATION FONDÉE SUR LA RESPONSABILITÉ, MÊME SI LA PERTE OU LES DOMMAGES SONT CAUSÉS PAR LA NÉGLIGENCE OU LA FAUTE D'ADI ET MÊME SI CETTE DERNIÈRE A ÉTÉ AVISÉE DE LA POSSIBILITÉ QUE DE TELLES PERTES OU DE TELS DOMMAGES SURVIENNENT.

Les descriptions de produits (fournies par écrit ou verbalement par ADI ou ses mandataires), caractéristiques techniques, échantillons, modèles, bulletins, dessins, diagrammes, esquisses techniques ou documents similaires utilisés par l'acheteur pour passer une commande visent uniquement à décrire les produits d'ADI et ne doivent pas être interprétés comme des garanties ou conditions expresses. Les suggestions faites par ADI ou ses mandataires au sujet de l'utilisation, de l'application ou du caractère approprié des produits ne doivent pas être interprétées comme des garanties ou conditions expresses, sauf si ADI confirme par écrit qu'il s'agit de garanties ou de conditions expresses. ADI n'offre pas la garantie absolue que les produits qu'il vend ne sont pas compromis ou éludés, que les produits préviendront les blessures ou les pertes matérielles par vol, cambriolage, incendie ou autre, ou que les produits

fournissent dans tout cas un avertissement ou une protection adéquats. L'acheteur comprend et fera comprendre à ses clients qu'un produit dûment installé et entretenu permet uniquement de réduire le risque de cambriolage, de vol ou d'incendie sans avertissement, mais qu'il ne constitue pas une assurance ou une garantie qu'un tel événement ne se produira pas ou qu'il n'entraînera pas des blessures ou des pertes matérielles.

PAR CONSÉQUENT, ADI NE SAURAIT ÊTRE TENUE RESPONSABLE DES BLESSURES, DES DOMMAGES MATÉRIELS OU D'AUTRES PERTES FAISANT L'OBJET D'UNE RÉCLAMATION, Y COMPRIS UNE RÉCLAMATION SELON LAQUELLE LE PRODUIT N'AURAIT PAS DONNÉ DE SIGNAL D'AVERTISSEMENT.

Toutefois, si ADI est tenue responsable, directement ou indirectement, de pertes ou de dommages à l'égard des produits qu'elle vend, quelle qu'en soit la cause ou l'origine, sa responsabilité n'excédera en aucun cas le prix d'achat du produit, dont le remboursement sera exigé à titre de dommages-intérêts extrajudiciaires et non d'amende, et il s'agira du recours exclusif et intégral pouvant être exercé contre.

POUR ÉVITER TOUT DOUTE, ADI NE TENTE PAS PAR LES PRÉSENTES D'EXCLURE OU DE RESTREINDRE SES RESPONSABILITÉS RELATIVES À (I) LA FRAUDE, (II) DÉCÈS OU BLESSURES RÉSULTANT DIRECTEMENT DE SA NÉGLIGENCE OU (III) TOUTE MATIÈRE POUR LAQUELLE, AUX YEUX DE LA LOI, IL N'EST PAS PERMIS DE RESTREINDRE SA RESPONSABILITÉ.

3. Limitation de la responsabilité envers les clients de l'acheteur

L'Acheteur accepte de limiter la responsabilité envers ses clients dans toute la mesure autorisée par la loi. L'acheteur reconnaît qu'ADI ne sera réputée avoir fourni aux consommateurs de ses produits que les garanties qui sont exigées par la loi. L'Acheteur ne doit en aucun cas déclarer à ses clients et/ou aux utilisateurs des produits d'ADI que cette dernière offre d'autres garanties. Par l'acceptation des produits, l'Acheteur assume, dans la pleine mesure permise par la loi, la pleine responsabilité à l'égard de toutes les poursuites, réclamations, mises en demeure et causes d'action et à l'égard de tous les jugements se rapportant à des dommages-intérêts, que ce soit pour des préjudices personnels ou des dommages matériels, subis par une personne, une firme, une société ou une association commerciale, y compris les clients de l'Acheteur et/ou les utilisateurs des produits, en raison de toute omission de la part des produits de déceler le danger pour la détection duquel ils sont conçus et/ou de donner l'alerte de ce danger ou un avertissement de toute autre défaillance des produits, que ces dommages aient été causés par la négligence dont ADI est l'auteur ou le coauteur, et il tiendra ADI à couvert à cet égard et prendra fait et cause pour lui.

4. Retour

Sous réserve des modalités énumérées ci-après, durant la période de garantie applicable, ADI remplacera le produit ou donnera une note de crédit à l'achat, à son gré et sans frais, à l'égard de tout produit défectueux qui lui est retourné. L'obligation qui incombe à ADI de remplacer le produit visé par une garantie à vie limitée aux termes de la garantie en question si celui-ci est défectueux se limite à la disponibilité d'un produit de remplacement. ADI se réserve le droit de remplacer un produit défectueux par le produit qui est disponible à ce moment-là, ou de donner une note de crédit, à son gré. Si l'acheteur a un problème avec un produit d'ADI, il doit appeler sa succursale ADI locale pour connaître la marche à suivre pour retourner le produit.

www.adiglobaldistribution.com

L'Acheteur doit avoir en main le numéro du modèle et décrire la nature du problème. En cas de remplacement, le prix du produit retourné sera porté au crédit du compte de l'Acheteur et une nouvelle facture sera établie pour le produit de remplacement. ADI se réserve le droit de donner une note de crédit plutôt que de remplacer le produit.

Si l'on établit que le produit Capture n'est pas défectueux ou que son mauvais fonctionnement résulte d'une utilisation abusive ou de dommages causés par l'utilisateur, le produit sera retourné à l'Acheteur dans le même état que celui dans lequel il a été reçu et l'Acheteur devra acquitter les frais de transport.

5. Lois applicables

Les lois de l'État de New York s'appliquent à la présente garantie limitée.

6. Divers

Si une modalité de la présente garantie limitée est interdite par ces lois, elle sera nulle, mais le reste de la présente garantie limitée demeurera pleinement en vigueur.

Pour de plus amples renseignements
de Capture, visitez
www.adiglobaldistribution.com
Soutien technique: 833-574-9124

HDMI[®]

HIGH DEFINITION MULTIMEDIA INTERFACE
Les termes HDMI, HDMI High-Definition Multimedia Interface, l'habillage commercial HDMI
et les logos HDMI sont des marques commerciales ou des marques déposées de HDMI
Licensing Administrator, Inc.

Capture



0E-22LED3



0E-24LED3



0E-27LED3

