

Product Description

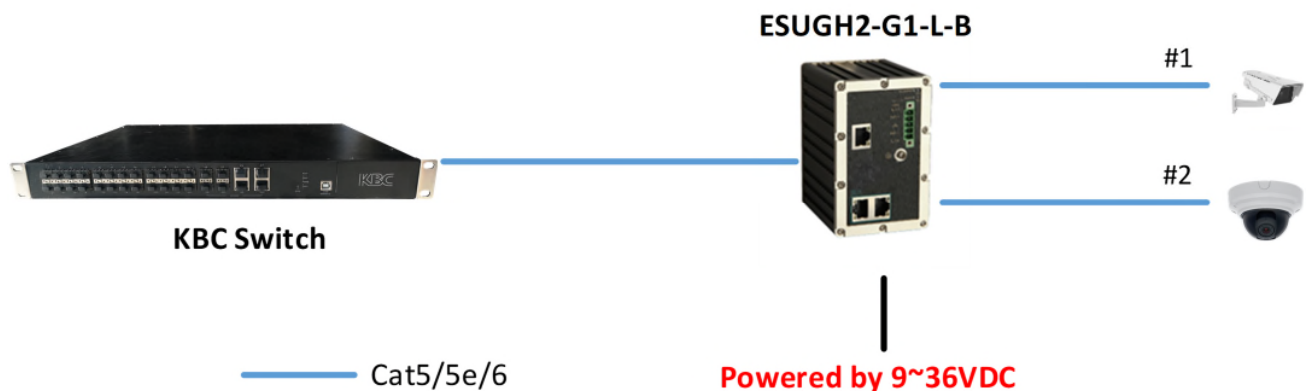
The KBC ESUGH2-G1-L-B is a high performance, unmanaged industrial switch with 3* 10/100/1000M auto-sensing copper ports. Two of the copper ports support PoE/PoE+/PoE++, with up to 90W output on each PoE port. **The switch is powered by 9 ~ 36 VDC power supply and is ideal for applications where +12VDC or 24VDC power is available.** The unique mount design makes DIN mounting and removal easy. Its rugged design with IP40 and industrial level 3 ESD protection make this switch suitable for use in harsh environments, such as power, transportation, pipeline, petrochemicals, industry automation and IP surveillance.



Product Features

- Unmanaged industrial switch
- 3x10/100/1000Base-T(X) ports, 2 PoE++ ports
- Each PoE port output up to 90W
- Support IEEE802.3af&at&bt
- **9 ~ 36VDC power supply input**
- Overload current protection and reverse polarity protection
- Level 3 ESD protection
- IP40 housing design
- Supports DIN rail or wall-mount

Typical System Configuration



Specifications

Standards

IEEE Standards	IEEE802.3 IEEE802.3u IEEE802.3x IEEE802.3ab IEEE802.3af&at&bt
----------------	---

Power ⁽¹⁾

Redundant Power Input	9-36VDC
Power Consumption	< 5W (without PoE)
PoE Budget ⁽²⁾	180W max. with input voltage >18VDC
Overload Current Protection	Yes
Reverse polarity protection	Yes

Ports

10/100/1000Base-T	RJ45(3, 2 with PoE/PoE+/PoE++)
-------------------	--------------------------------

Protection

Enclosure	IP40
ESD	Industrial level 3

Switch Performance

Architecture	Store-and-forward
Memory Buffer	512K
Switch Capacity	6Gbps
Mac Table	1K

Environmental

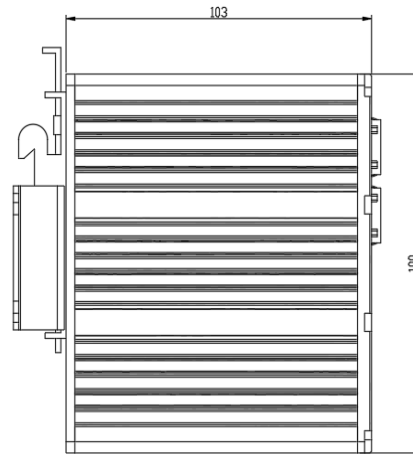
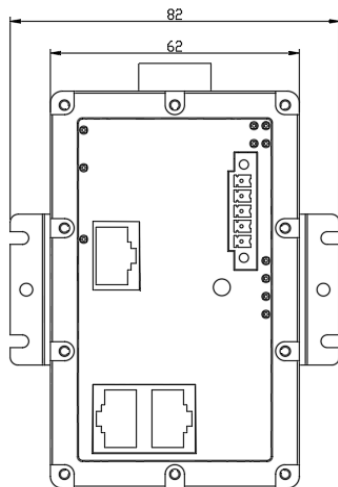
Operating Temperature	-40°C ~ +75°C
Storage Temperature	-40°C ~ +85°C
Operating Humidity	5% to 95% non-condensing

PoE

Standard	IEEE802.3af/at/bt
PSE Type	End-span
Power Pin Assignment	3/6/4/5 (+) , 1/2/7/8 (-)
PoE Power Output	Up to 90W max per port

Mechanical

Dimension (L×W×H)	62mm × 103mm × 100mm
Weight	0.6kg



Order Information

ESUGH2-G1-L-B: Unmanaged, 3×10/100/1000Base-T(X) ports, 2 PoE++ ports, 9~36VDC power input

1. Power supply sold separately.

Due to ongoing technological improvements, product specifications are subject to change without notice. KBC is not liable for any errors, omissions or changes of any description of the goods contained herein. This information is for the sole purpose of identifying the products and KBC makes no warranty that the products conform to any description contained herein. Do not rely solely on any representations, statements, or assertions concerning these products contained herein.