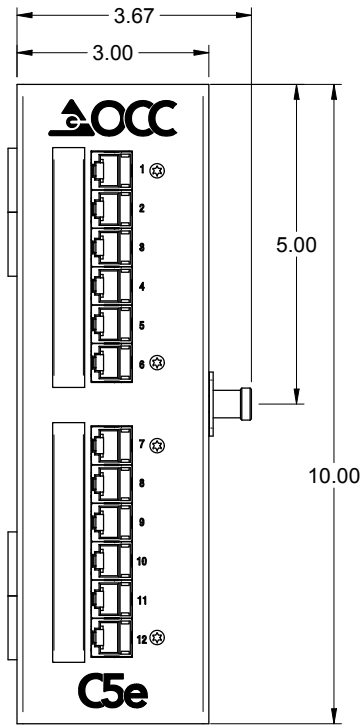
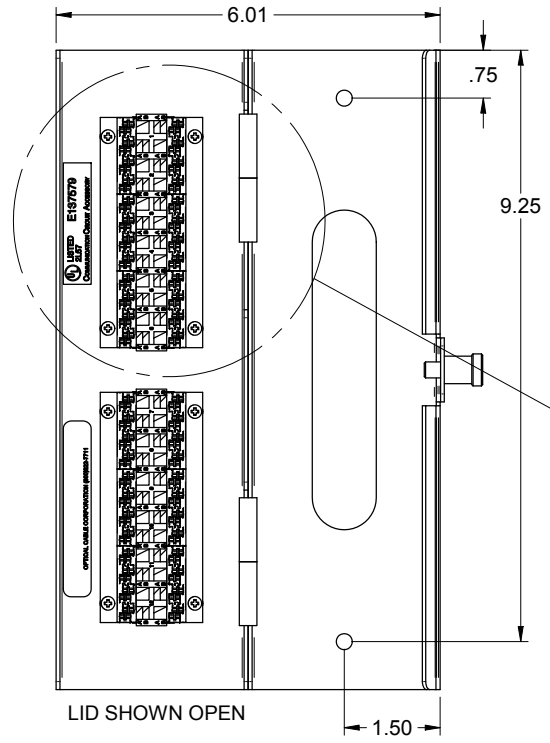


REVISION HISTORY		DATE	ECN	CHECKED
REV/SHT	DESCRIPTION			
A	ALL RELEASE NEW	5/20/13	NEW	JH

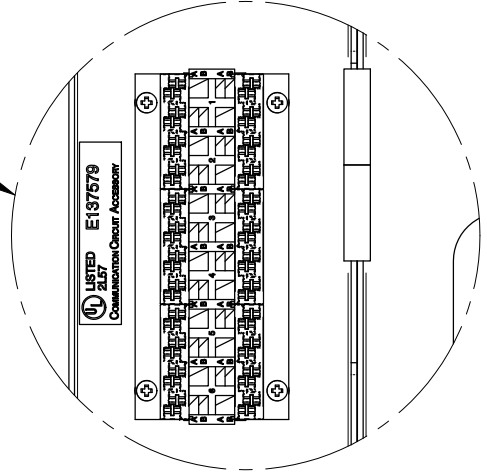
"OPTICAL CABLE CORPORATION (OCC)
RESERVES THE RIGHT TO REVISE ANY
PATCH PANEL SPECIFICATIONS."



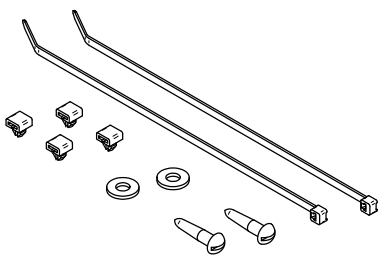
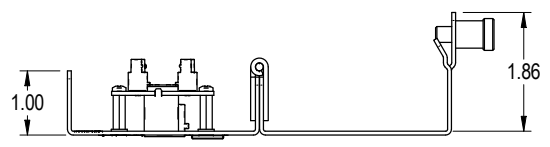
LID SHOWN CLOSED
FRONT VIEW



LID SHOWN OPEN



DETAIL "A"
PUNCHDOWN CARD
ORIENTED AS SHOWN



SUPPLIED HARDWARE KIT

PP1288/110A5E-R	ASSY, PATCHPANEL, 12 PORT, WALLMOUNT, C5e, 110, A/B	T568 A/B
OCC PART NUMBER	DESCRIPTION	WIRING

THIRD ANGLE PROJECTION 	UNLESS OTHERWISE SPECIFIED, DIMENSIONS ARE IN INCHES. TOLERANCES: FRACTIONS ±1/32" ANGLES ±1/2° 3 PLACE DECIMALS ±.005" 2 PLACE DECIMALS ±.01"	THIS DRAWING AND THE DESIGN SHOWN ARE THE PROPERTY OF OPTICAL CABLE CORPORATION AND MAY NOT BE USED AS THE BASIS FOR MANUFACTURE OR SALE WITHOUT SPECIFIC WRITTEN PERMISSION OF OPTICAL CABLE CORPORATION.	33 Superior Way Swannanoa, NC 28778 Phone: 828-298-2260 Fax: 828-298-2487 www.occfiber.com
	MATERIAL VARIOUS SEE BILL OF MATERIAL	DRAWN D.A.HOLBERT DATE 5/20/13 CHECKED S.PORACH DATE 5/22/13 ENGINEER J.YANIK DATE 5/20/13 APPROVED J.HOWE DATE 5/22/13	
CRITICAL DIMENSION CODE (F) = FUNCTION (M) = MATING (A) = AUDIT	FINISH ENCL PAINTED, BLACK PER OCC SPEC DWG 102125	PREVIOUS DWG NEXT DWG	SIZE C DWG NO. C111502 SCALE: NONE SHEET 1 OF 1

UNCONTROLLED COPY