

Phase-Adaptive Power Module

- Provides dimming control for 1 zone of a full 16 A lighting load.
- May be used to dim incandescent, halogen, electronic low-voltage, magnetic low-voltage, neon/cold cathode.
- Phase-adaptive technology automatically selects leading-edge or trailing-edge dimming for low-voltage transformers.
- Up to 3 power modules may be controlled by a single dimmer (C5-BMJ- will control only 1 module).
- Use PHPM-WBX- models for 3-wire fluorescent dimmer input and PHPM-PA- models for 2-wire input.
- PHPM-WBX- models can be used in conjunction with BCI-0-10 for 0–10 V dimming applications. For more information, see Application Note #516 (Lutron P/N 048516) at www.lutron.com
- Models available for control voltage of 120 V \sim only or 220–277 V \sim .
- Models available for load voltage of 120 V \sim only or 120–277 V \sim .
- Compatible with 220/240 V \sim , non-CE systems. Contact Lutron for specific system applications.
- Not for use with non-dim loads.

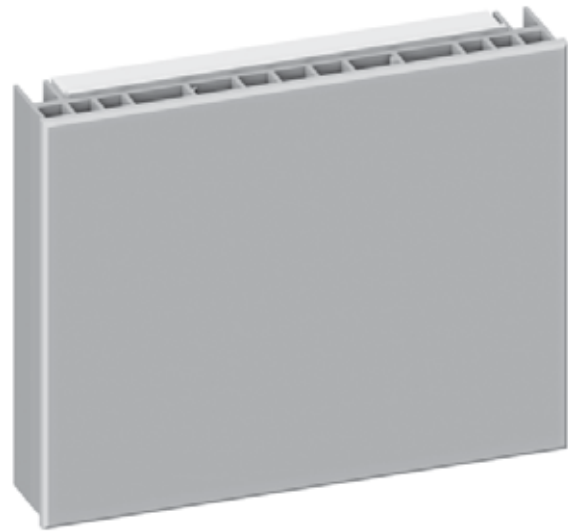
Works with 120 V \sim or 220–277 V \sim versions of:

- Lutron in-wall neutral wire dimmers; see approved list in the Dimmers and Switches Specification Guide (Lutron P/N 3671746) at www.lutron.com (see Lighting Load Interfaces section)
- GRAFIK Eye QS control units*
- LP, LCP, and GP dimming panels**
- HomeWorks QS remote power panels**
- HomeWorks QS in-line dimmer
- HomeWorks QS DIN-rail power modules
- EcoSystem interface C5-BMJ-XXX[†]
- Energi Savr Node PRO LED+ phase-adaptive fixture controller
- RadioRA 2 neutral wire dimmers; see approved list in the specification submittal (Lutron P/N 369225) at www.lutron.com
- HomeWorks QS neutral wire dimmers; see approved list in the specification submittal (Lutron P/N 369305) at www.lutron.com
- Caséta Wireless neutral wire dimmers; see approved list in the specification submittal (Lutron P/N 369987) at www.lutron.com
- Vive PowPak phase select dimming modules; see specification submittal (Lutron P/N 3691150) at www.lutron.com

*For PHPM-PA- models, set load type to “power module”.

**For PHPM-PA- models, set load type to “incandescent”.

[†]Use only PHPM-WBX models with this product; using PHPM-PA- models is not recommended



Models and Capacities

Control Voltage ^{1, 2}	Load Voltage ^{1, 2}	Load Capacity	Model Number ^{3, 4}
120 V \sim	120 V \sim	16 A	PHPM-PA-120-WH
120 V \sim	120–277 V \sim	16 A	PHPM-PA-DV-WH
220–277 V \sim	120–277 V \sim	16 A	PHPM-PA-277/DV
120 V \sim	120 V \sim	16 A	PHPM-WBX-120-WH
120 V \sim	120–277 V \sim	16 A	PHPM-WBX-DV-WH
220–277 V \sim	120–277 V \sim	16 A	PHPM-WBX-277/DV

¹ All voltages are phase-to-neutral.

² For explanation of “control voltage” and “load voltage”, see page 5.

³ Use PHPM-PA- models for incandescent/halogen dimmers and set the controller load type to “power module” or “incandescent”.

⁴ Use PHPM-WBX- models for 3-wire fluorescent dimmers and set the controller load type to “fluorescent”.

Job Name:	Model Numbers:
Job Number:	

Specifications

Power

Control voltage	120 V~ only	PHPM-PA-120-WH
		PHPM-PA-DV-WH
		PHPM-WBX-120-WH
		PHPM-WBX-DV-WH
	220–277 V~	PHPM-PA-277 /DV
		PHPM-WBX-277 /DV
Load voltage	120 V~ only	PHPM-PA-120-WH
		PHPM-WBX-120-WH
	120–277 V~	PHPM-PA-DV-WH
		PHPM-PA-277 /DV
		PHPM-WBX-DV-WH
		PHPM-WBX-277 /DV

- Capacity: Full 16 A
120 V~: 1920 W
120–277 V~: 1920–4432 W
220–240 V~: 3520–3840 W

- Frequency: 50/60 Hz
- Load (output) power: Phase independent of control device/control voltage

Sources/Load Types

- Operates these sources with a smooth, continuous, Square Law dimming curve:
 - Incandescent (tungsten)
 - Halogen
 - Magnetic low-voltage transformer (iron core)
 - Electronic (solid-state) low-voltage transformer (must be manufacturer-approved for reverse-phase control dimming)
 - Neon/Cold cathode
- Incandescent and electronic low-voltage sources may be controlled on the same circuit/control zone. Up to 30% of the capacity of the unit can be used for incandescent lighting.
- Incandescent and magnetic low-voltage sources may be controlled on the same circuit/control zone. Up to 30% of the capacity of the unit can be used for incandescent lighting.
- Electronic low-voltage and magnetic low-voltage sources may NOT be controlled on the same circuit/control zone.
- PHPM-PA- and PHPM-WBX- models are not for use with non-dim loads. Use switching power module (PHPM-SW-DV-WH) for non-dim loads.
- Minimum load on power module is 10 W.
- Output must be directly connected to the load. Load side switching is not recommended.

Key Design Features

- Automatically selects between forward-phase/leading edge (e.g., magnetic low-voltage) and reverse-phase/trailing edge (e.g., electronic low-voltage) dimming/output based on connected load.
- Patented RTISS Equipped circuitry compensates in real time for incoming line voltage variations: Compensates for +/-2% change in RMS voltage/cycle and +/-2% Hz change in frequency/second.
- Provides air-gap off.
- Module protects itself during most temporary over-current and over-voltage conditions.
- Two LEDs on front of unit provide diagnostic information (visible when faceplate is removed).

Terminals

- Each terminal accepts up to two 12 AWG (2.5 mm²) wires.

Environment

- 32 to 104 °F (0 to 40 °C). Relative humidity less than 90% non-condensing.
- Indoor use only.
- Maximum heat output of module: 135 BTU/hour.

Mounting

- Surface or recess mount.
- Power module is UL tested and approved for use in spaces designed for environmental air handling.

Regulatory Approvals

- Models: PHPM-PA-120-WH, PHPM-PA-DV-WH, PHPM-WBX-120-WH, PHPM-WBX-DV-WH
 - cULus[®] listed
 - NOM certified
 - RoHS compliant
 - Complies with requirements for use in other spaces used for environmental air (plenums) per NEC[®] 2014 300.22(C)(3).
- Models: PHPM-PA-120-WH, PHPM-WBX-120-WH
 - CSA certified
- Models: PHPM-PA-277 /DV, PHPM-WBX-277 /DV
 - UL
 - RoHS compliant
 - Complies with requirements for use in other spaces used for environmental air (plenums) per NEC[®] 2014 300.22(C)(3).

Job Name:	Model Numbers:
Job Number:	

Specifications (continued)

⚠ WARNING – Entrapment hazard – May result in serious injury or death. These controls should only be used to control equipment which is visible from every control location.

⚠ WARNING – Fire hazard – May result in serious injury or death. Only use these controls to operate approved load and equipment types.

IMPORTANT NOTE:

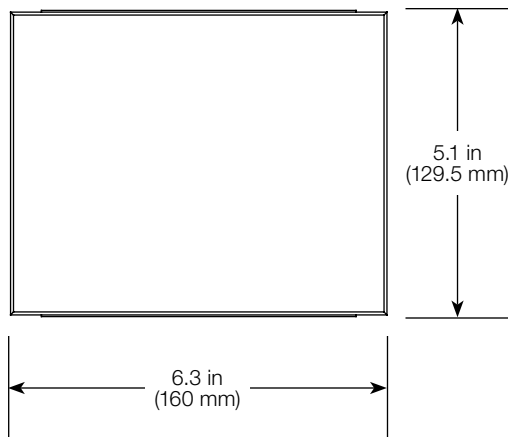
Examples of such equipment which must not be operated by these controls include (but are not limited to) motorized gates, garage doors, industrial doors, microwave ovens, heating pads, fireplaces, space heaters, etc. It is the installer’s responsibility to ensure that the equipment being controlled is visible from every control location and that only suitable equipment is connected to these controls. Failure to do so could result in serious injury or death.

<p>Job Name:</p> <p>Job Number:</p>	<p>Model Numbers:</p>
--	-----------------------

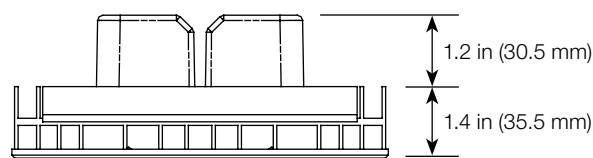
Dimensions and Mounting

- Mount in 2-gang U.S. wallbox, 3.5 in (89 mm) deep or 4 × 4 in (102 × 102 mm) junction box, 2.1 in (53 mm) deep.
- For indoor use only.
- This device generates heat; mount only where ambient temperature is 32 to 104 °F (0 to 40 °C).
- Mount with arrows facing up to ensure adequate cooling.
- Allow 4.5 in (114 mm) above and below faceplates when mounting several modules in a vertical layout.
- Units may butt together when mounted in a horizontal layout.
- Mount so line (mains) voltage wiring is at least 6 ft (1.8 m) from sound or electronic equipment and wiring.
- Mount within 7° of true vertical.

Front View

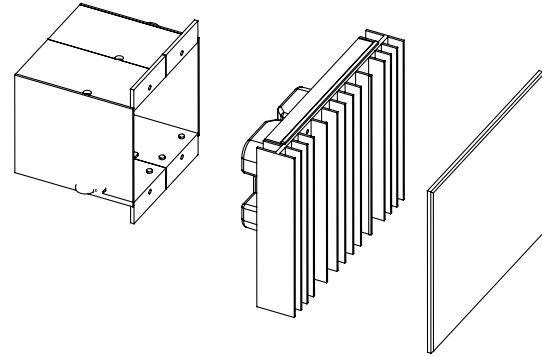


Side View

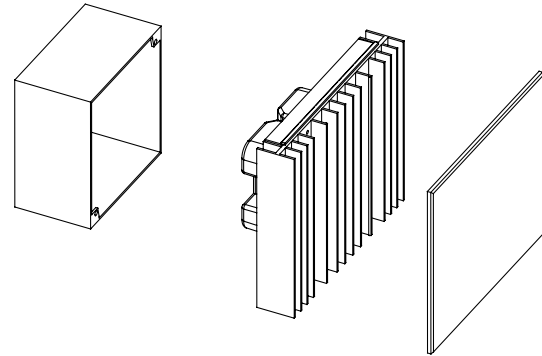


Mounting Methods

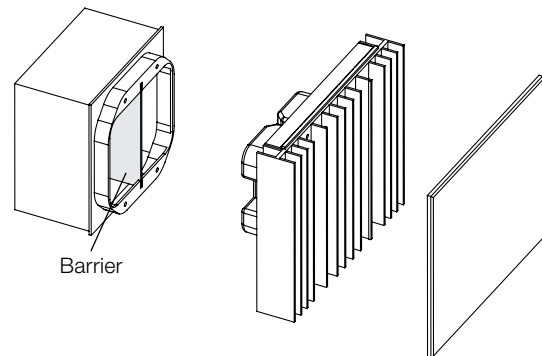
Mount to 2-gang U.S. wallbox



Mount to 4 × 4 in (102 × 102 mm), 2.1 in (53 mm) deep U.S. junction box



Mount to 4 × 4 in (102 × 102 mm), 2.1 in (53 mm) deep U.S. junction box with barrier (for 277 V~ loads if required by local electrical code)



Job Name:	Model Numbers:
Job Number:	

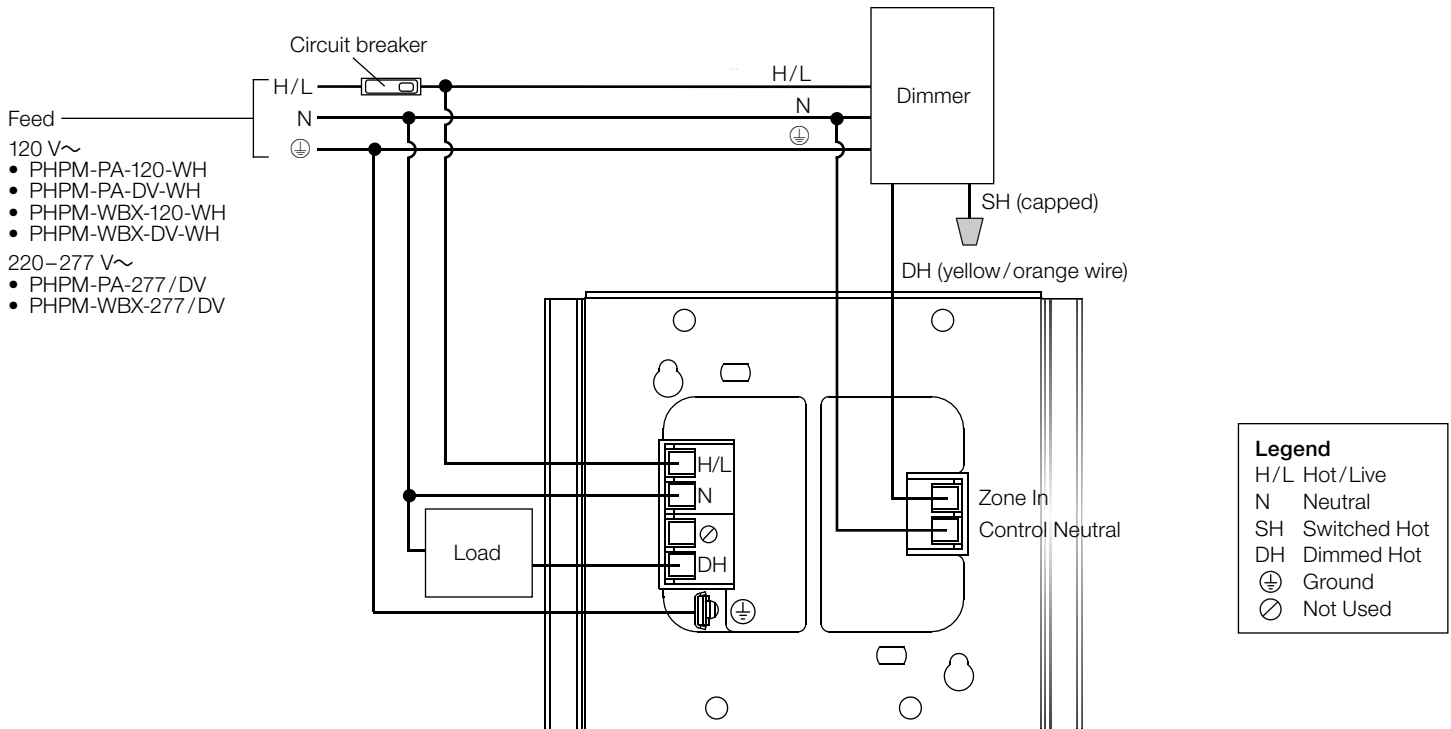
Wiring

- 12 AWG (2.5 mm²) copper (Cu) wires (75 °C/167 °F minimum) for input power and load circuit.
- Strip 1/2 in (12 mm) insulation from wires before connecting.
- Run separate neutral for load circuit; no common neutrals.
- May be used with GFI breaker protected loads. Load circuit wiring (from GFI breaker to power module to load) must be run in its own non-metallic conduit, or nuisance tripping may occur. Maximum 100 ft (30.5 m) between power module and load.
- May be used with AFI breaker protected loads. Maximum load on AFI circuit is 1000 W. Exceeding 1000 W may cause nuisance tripping of AFI breaker.

Wiring to a Dimmer

Single Power Module to Single Control Device: Combined Power Feed for Control and Load Sides

- The power module may be on the same circuit/control zone as the control unit only if the total load does not exceed the rating of the breaker.
- Use PHPM-WBX- models for 3-wire fluorescent dimmers and PHPM-PA- models for other dimmer types.
- PHPM-PA-DV-WH and PHPM-WBX-DV-WH are included as 120 V~ only because of limits on zone-in voltages.
- For specific wire colors, see the wallbox lighting controls catalog (Lutron P/N 3691746) at www.lutron.com/wallbox



(continued on next page...)

Job Name:	Model Numbers:
Job Number:	

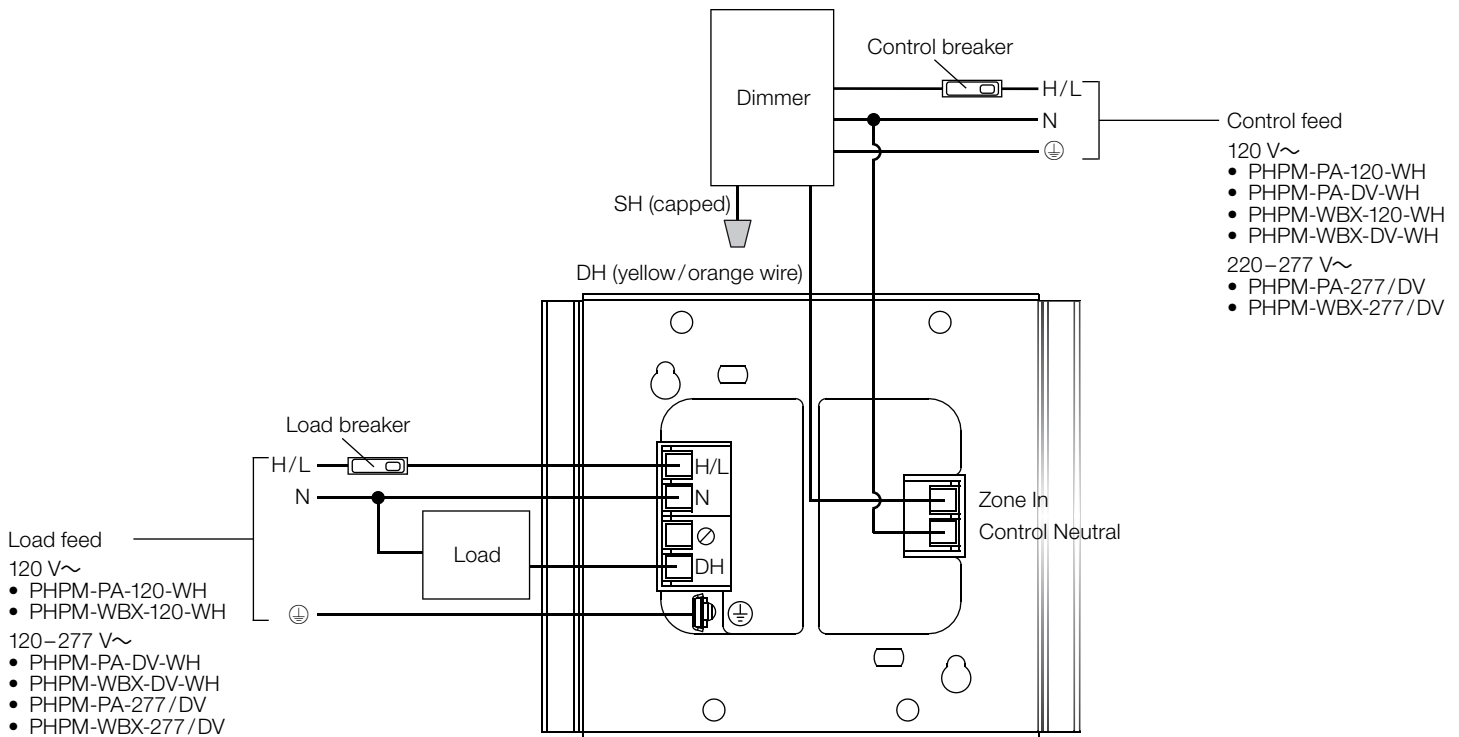
Wiring to a Dimmer (continued)

Single Power Module to Single Control Device: Separate Power Feeds for Control and Load Sides

- The load breaker may be on a different phase from the control breaker.
- Use PHPM-WBX- models for 3-wire fluorescent dimmers and PHPM-PA- models for other dimmer types.
- Load feed must not exceed voltage rating of the load¹; control feed must not exceed voltage rating of the dimmer².
- For specific wire colors, see the wallbox lighting controls catalog (Lutron P/N 3691746) at www.lutron.com/wallbox

¹ "Load feed" and "load voltage" refer to the circuit powering the load dimmed by the power module.

² "Control feed" and "control voltage" refer to the circuit powering the dimmer that controls the power module.



Legend	
H/L	Hot/Live
N	Neutral
SH	Switched Hot
DH	Dimmed Hot
⊕	Ground
⊘	Not Used

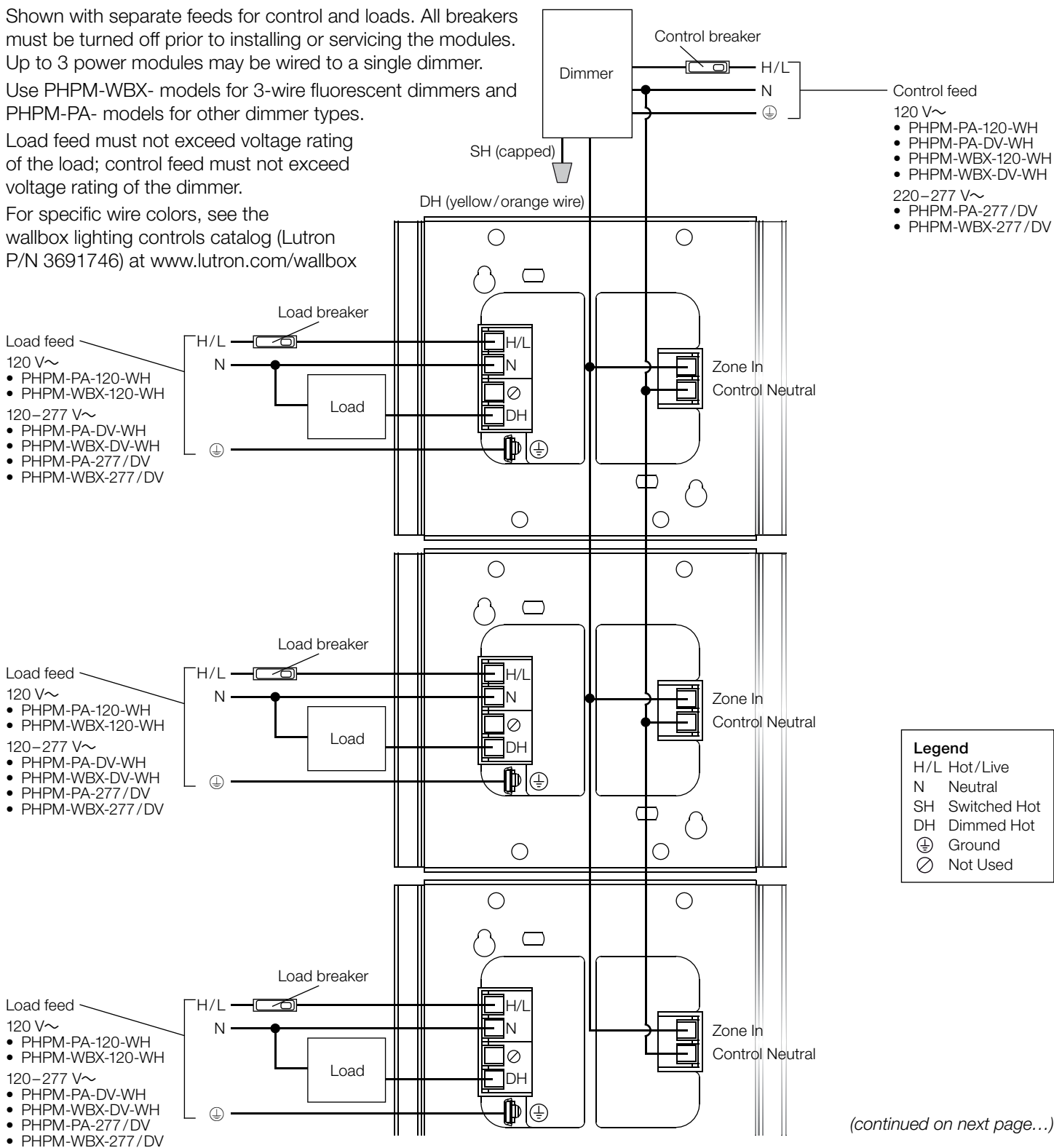
(continued on next page...)

Job Name:	Model Numbers:
Job Number:	

Wiring to a Dimmer (continued)

Multiple Power Modules to Single Control Device

- Shown with separate feeds for control and loads. All breakers must be turned off prior to installing or servicing the modules. Up to 3 power modules may be wired to a single dimmer.
- Use PHPM-WBX- models for 3-wire fluorescent dimmers and PHPM-PA- models for other dimmer types.
- Load feed must not exceed voltage rating of the load; control feed must not exceed voltage rating of the dimmer.
- For specific wire colors, see the wallbox lighting controls catalog (Lutron P/N 3691746) at www.lutron.com/wallbox



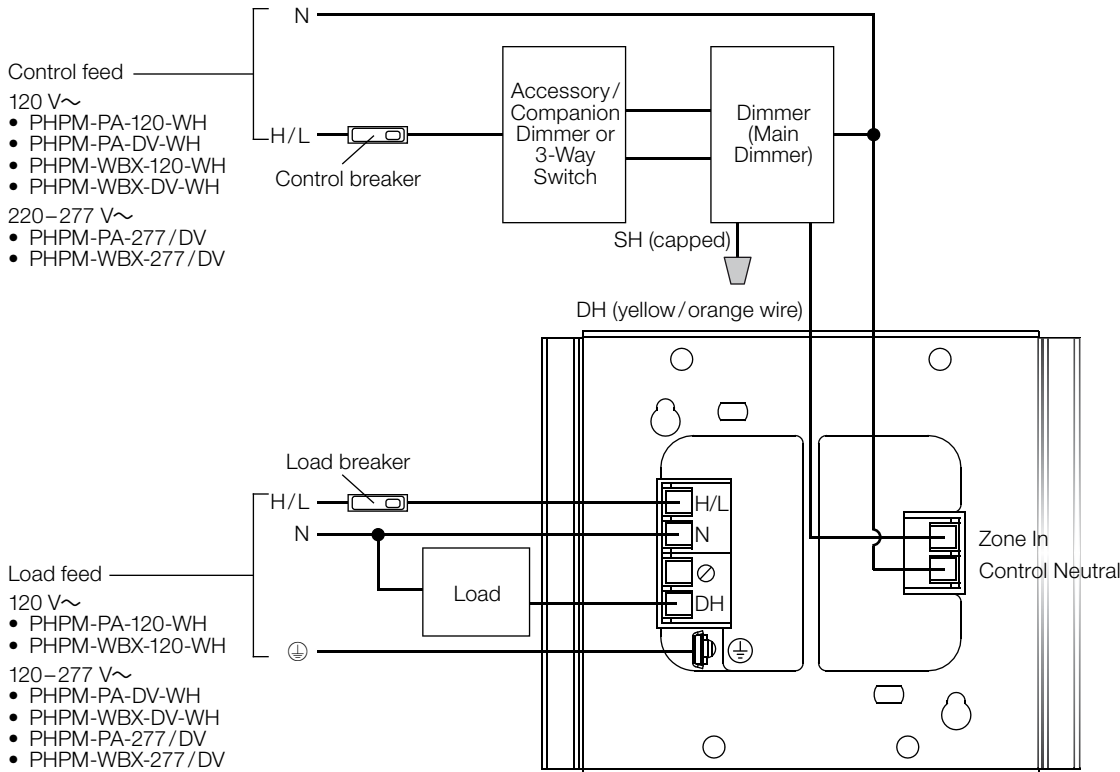
(continued on next page...)

Job Name:	Model Numbers:
Job Number:	

Wiring to a Dimmer (continued)

Single Power Module to Multiple Control Devices

- The power module may be on the same circuit/control zone as the control unit only if the total load does not exceed the rating of the breaker.
- Use PHPM-WBX- models for 3-wire fluorescent dimmers and PHPM-PA- models for other dimmer types.
- Load feed must not exceed voltage rating of the load; control feed must not exceed voltage rating of the dimmer.
- For specific wire colors, see the wallbox lighting controls catalog (Lutron P/N 3691746) at www.lutron.com/wallbox



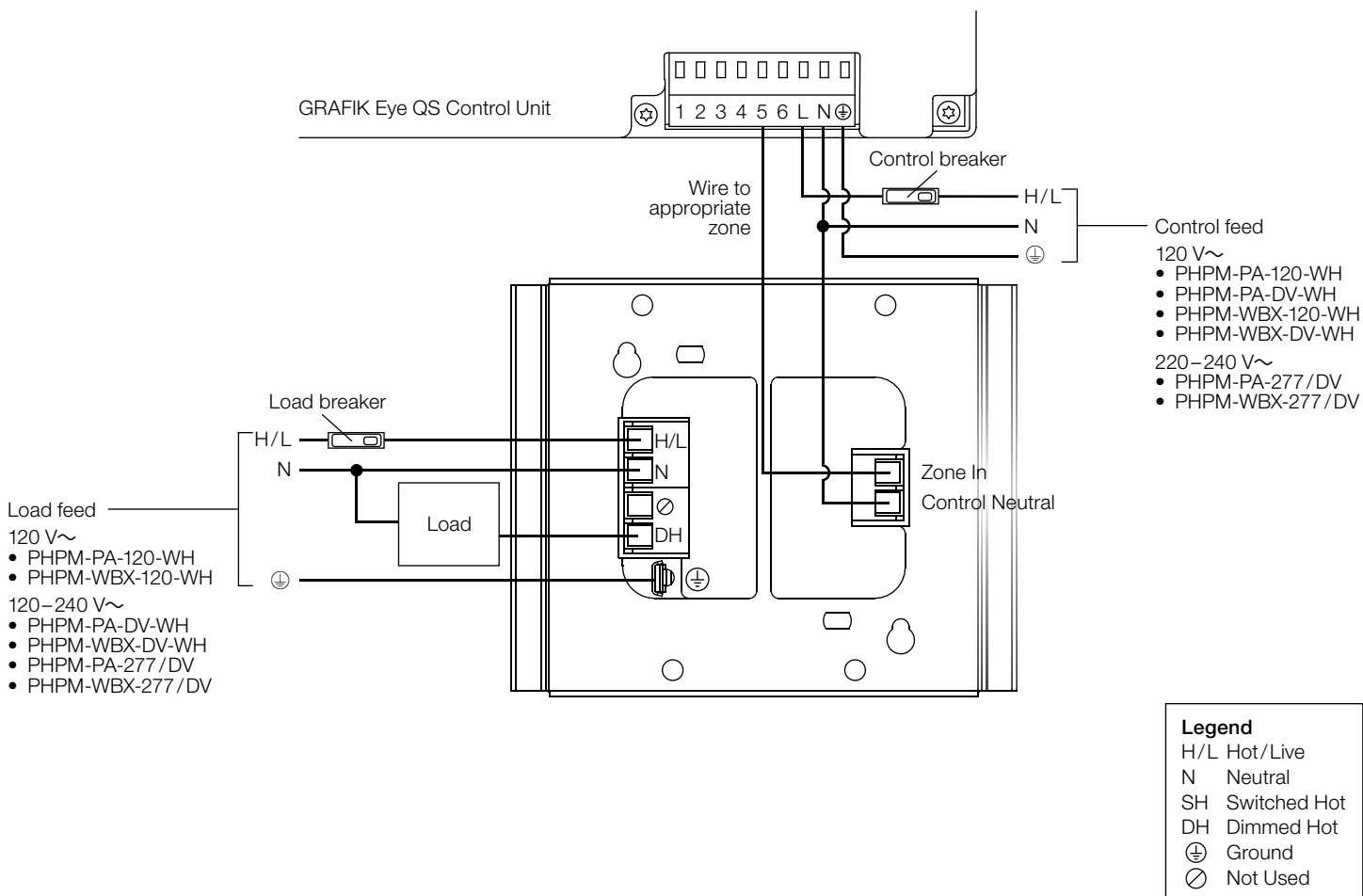
Legend	
H/L	Hot/Live
N	Neutral
SH	Switched Hot
DH	Dimmed Hot
⊕	Ground
⊘	Not Used

Job Name:	Model Numbers:
Job Number:	

Wiring to a GRAFIK Eye QS

Single Power Module to Single Control Device: Separate Power Feeds for Control and Load Sides

- The load type for the output must be set appropriately on the panel’s circuit selector (for an LP or GP panel), on the controller (for an LCP panel), or in the HomeWorks software (for a HomeWorks panel).
 - For PHPM-PA- models, set load type to “incandescent”.
 - For PHPM-WBX- models, set load type to “fluorescent”.
- Load feed must not exceed voltage rating of the load; control feed must not exceed voltage rating of the dimmer.
- For specific wire colors, see the wallbox lighting controls catalog (Lutron P/N 3691746) at www.lutron.com/wallbox

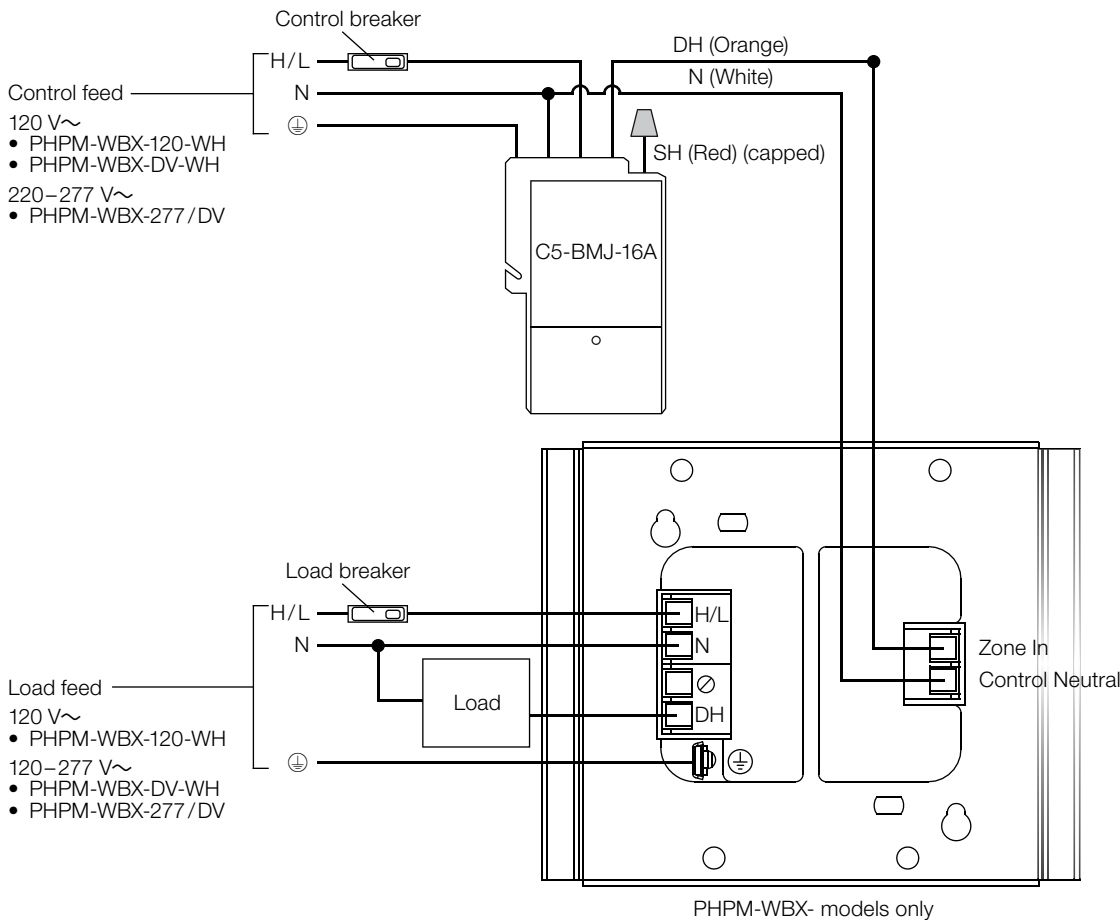


Job Name:	Model Numbers:
Job Number:	

Wiring to an EcoSystem C5-BMJ Interface (for PHPM-WBX- models only)

Single Power Module to Single Dimming Module: Separate Power Feeds for Control and Load Sides

- The load breaker may be on a different phase from the control breaker.
- Use PHPM-WBX- models only.
- Load feed must not exceed voltage rating of the load.
- For specific wire colors, see the wallbox lighting controls catalog (Lutron P/N 3691746) at www.lutron.com/wallbox



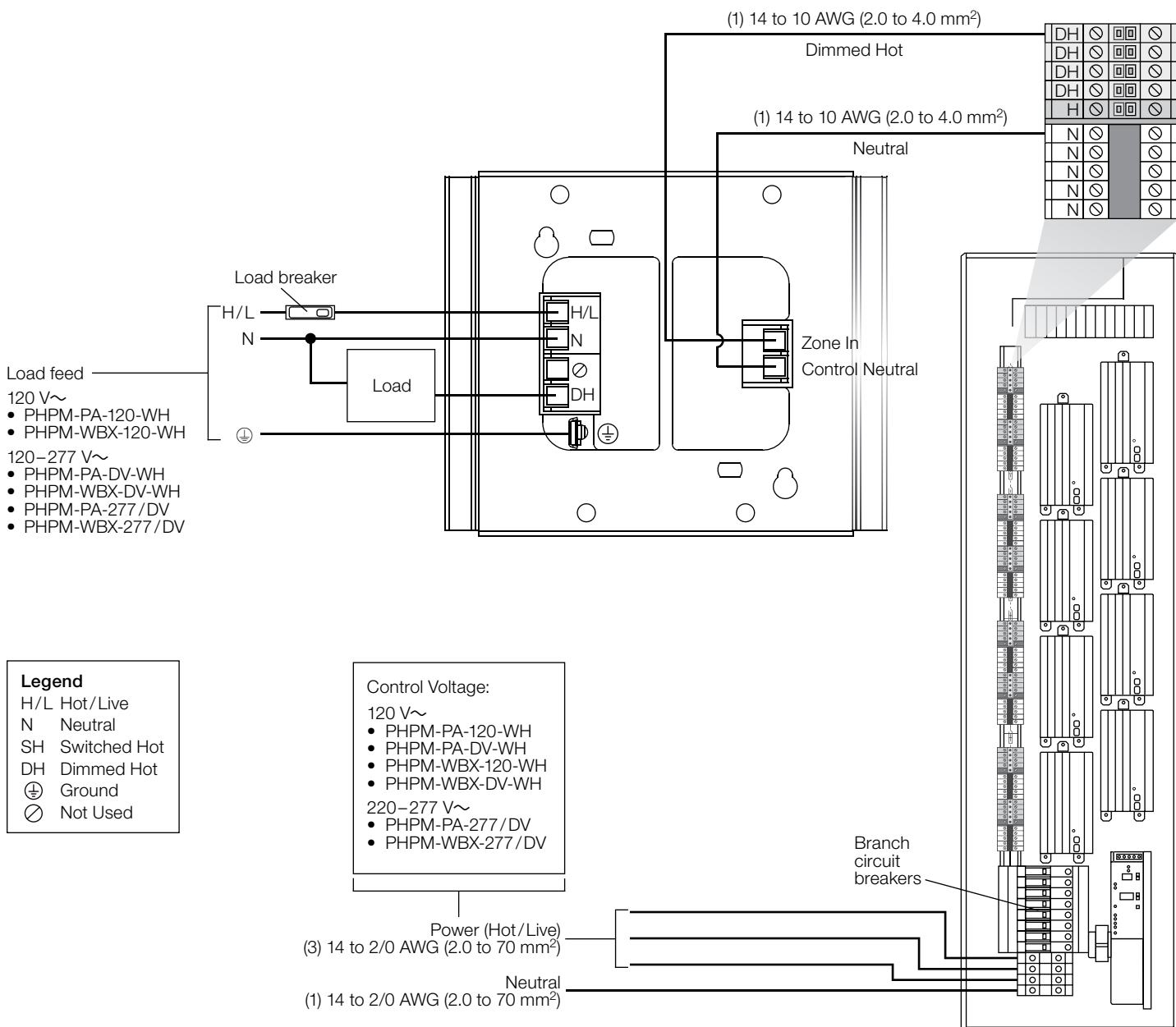
Legend	
H/L	Hot/Live
N	Neutral
SH	Switched Hot
DH	Dimmed Hot
⊕	Ground
⊘	Not Used

Job Name:	Model Numbers:
Job Number:	

Wiring to an LP, GP, LCP, or HomeWorks Panel

Single or Multiple Power Modules to Single Power Panel

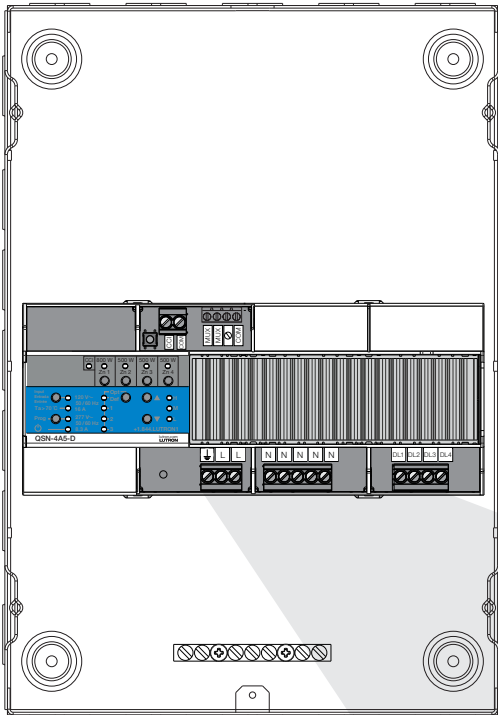
- The load type for the output must be set appropriately on the panel's circuit selector (for an LP or GP panel), on the controller (for an LCP panel), or in the HomeWorks software (for a HomeWorks panel).
 - For PHPM-PA- models, set load type to "incandescent".
 - For PHPM-WBX- models, set load type to "fluorescent".
- Load feed must not exceed voltage rating of the load.
- For specific wire colors, see the wallbox lighting controls catalog (Lutron P/N 3691746) at www.lutron.com/wallbox



Lutron, the Lutron logo, GRAFIK Eye, HomeWorks, EcoSystem, RadioRA, RadioRA 2, Energi Savr Node, LED+, and RTISS Equipped are trademarks or registered trademarks of Lutron Electronics Co., Inc. in the US and/or other countries. All other product names, logos, and brands are property of their respective owners.

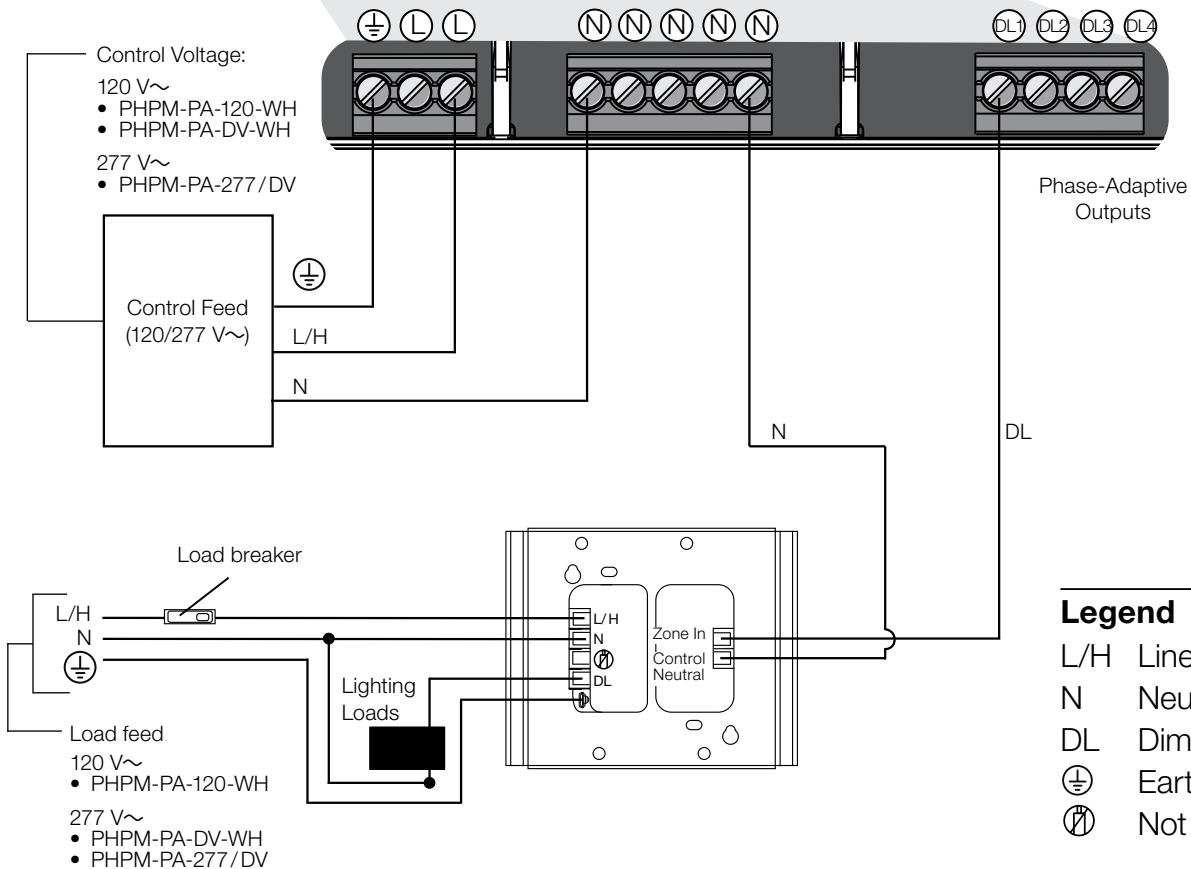
Job Name:	Model Numbers:
Job Number:	

Wiring to an Energi Savr Node PRO LED+ Phase Adaptive Fixture Controller



Single or Multiple Power Modules to Single Power Panel

- The load type for the output must be set appropriately.
 - For PHPM-PA- models, set load type to “forward-phase”.
- Load feed must not exceed voltage rating of the load.
- Not Compatible with PHPM-WBX- models.
- Up to three power modules may be wired to an output.



Job Name:	Model Numbers:
Job Number:	