



Scan for full manual

VP-554X Quick Start Guide

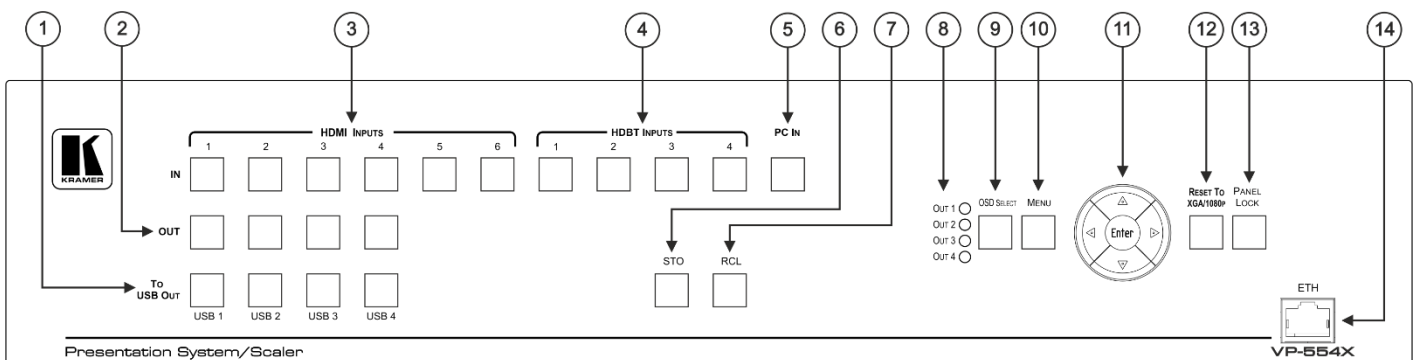
This guide helps you install and use your VP-554X for the first time.

Go to www.kramerav.com/downloads/VP-554X to download the latest user manual and check if firmware upgrades are available.

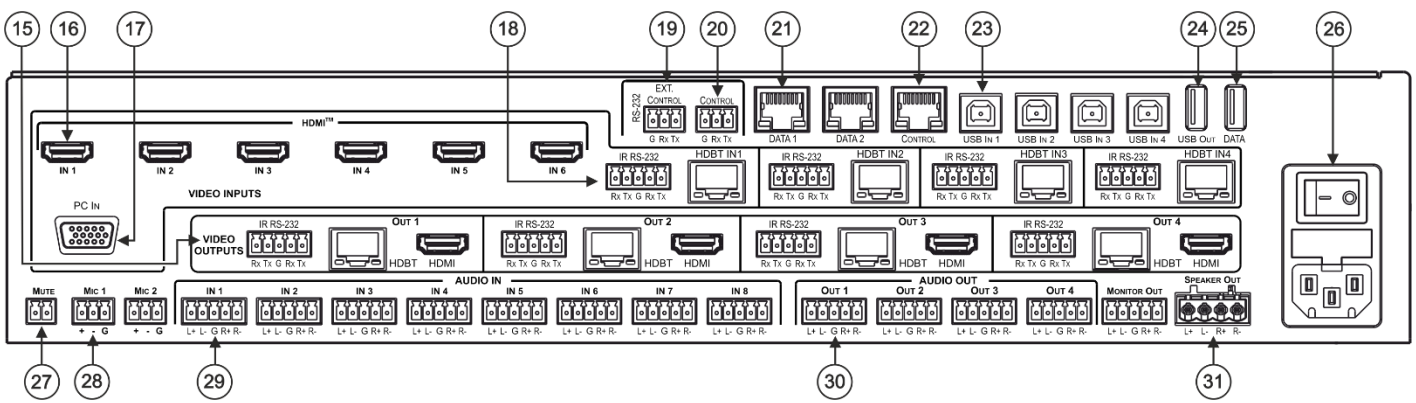
Step 1: Check what's in the box

- ✓ VP-554X Presentation Switcher/Scaler
- ✓ 1 Set of rack ears
- ✓ 4 Rubber feet
- ✓ 1 Power cord
- ✓ 1 Quick start guide

Step 2: Get to know your VP-554X



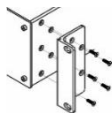
#	Feature	Function	
1	To USB OUT Buttons (1 to 4)	Press a USB button to switch a USB input (1-4) to the USB output.	
2	OUT Buttons (1 to 4)	Press an OUT button followed by an IN button to switch an input to an output.	
3	IN Buttons	HDMI™ INPUTS	Press an HDMI INPUT button to switch an HDMI input to an output.
4		HDBT INPUTS	Press an HDBT INPUT button to switch an HDBT input to an output.
5		PC IN	Press to switch a PC input to an output.
6	STO Button	Press and hold (until button illuminates) to store the current configuration of the unit.	
7	RCL Button	Press and hold (until button illuminates) to recall the stored configuration.	
8	OSD OUT LEDs	Indicates where the OSD is currently displayed (OUT 1 to OUT 4).	
9	OSD SELECT Button	Press to select the output on which the OSD will be displayed (cycles through OUT 1 to OUT 4).	
10	MENU Button	Press to display the OSD menu.	
11	Navigation Buttons	◀	Press to decrease numerical values or select from several definitions.
		▲	Press to move up the menu list values.
		▶	Press to increase numerical values or select from several definitions.
		▼	Press to move down the menu list.
		ENTER	Press to accept changes and change the SETUP parameters.
12	RESET TO XGA/1080p Button	Press and hold for about 2 seconds to set the output resolution to XGA (1024x768). Press and hold for about 5 seconds to set the output resolution to 1080p.	
13	PANEL LOCK Button	Press and hold for about 3 seconds to lock/unlock the front panel buttons.	
14	ETH RJ-45 Port	Connect to a PC via a LAN to control the device and for firmware upgrade.	



#	Feature	Function	
15	VIDEO OUTPUT Connectors (OUT 1 to OUT 4)	IR (Rx, Tx) left 2-pins on a 5-pin Terminal Block Connector	Connect to the IR connector of an HDBT input (Tx to Rx and Rx to Tx), to tunnel IR data between devices that are connected to the HDBT acceptor on the output and HDBT transmitter on the input.
		RS-232 (G, Rx, Tx) right 3-pins on a 5-pin Terminal Block Connector	Connect to serially control the devices connected to the HDBT acceptors.
		HDBT RJ-45 Connector	Connect to an HDBT receiver.
		HDMI	Connect to an HDMI acceptor.
16	HDMI IN Connectors	Connect to an HDMI source (IN 1 to IN 6).	
17	PC IN 15-pin HD Connector	Connect to a computer graphics source.	
18	VIDEO INPUT Connectors (HDBT IN1 to HDBT IN4)	HDBT IN RJ-45 Connector	Connect to an HDBT transmitter (IN 1 to IN 4).
		IR (Rx, Tx) left 2-pins on a 5-pin Terminal Block Connectors	Connect to the IR connector of an HDBT output (Tx to Rx and Rx to Tx), to tunnel IR data between devices that are connected to the HDBT transmitter on the input and HDBT acceptor on the output.
		RS-232 (G, Rx, Tx) right 3-pins on a 5-pin Terminal Block Connectors	Connect to a serial controller for RS-232 link extension via HDBT input (for HDBT IN 1 to IN 4).
19	EXT. CONTROL (G, Rx, Tx) 3-pin Terminal Block Connector	Connect to an external RS-232 device to be controlled (for example, a projector).	
20	CONTROL (G, Rx, Tx) 3-pin Terminal Block Connector	Connect to a PC or remote controller to control VP-554X via Protocol 3000 commands. The port includes echoing when changes are made to the machine.	
21	DATA RJ-45 Connector	Connect to a PC or other controller through computer networking. (Data 1 and Data 2).	
22	CONTROL RJ-45	Connect to a PC or other controller through computer networking.	
23	USB Type B IN Connectors	Connect to a USB host (from 1 to 4).	
24	USB OUT Type A Connector	Connect to a USB client.	
25	DATA USB Type A Connector	For upgrading firmware	
26	Mains Power Connector, Fuse and Switch	Connect to the mains supply.	
27	REMOTE MUTE 2-pin Terminal Block Connector	Remote switch to mute the audio signals. Enables easy integration of the audio system with PA systems, usually used for alarms or other public audio messages.	
28	MIC 3-pin Terminal block Connectors	Connect to a microphone (Mic 1 and Mic 2).	
29	AUDIO IN 5-pin Terminal Block Connectors	Connect to stereo audio balanced sources (IN 1 to IN 8).	
30	AUDIO OUT 5-pin Terminal Block Connectors	Connect to a stereo balanced audio acceptor (1 to 4 and Monitor Out).	
31	SPEAKER OUT 4-pin Terminal Block Connectors	Connect to a pair of loudspeakers.	

Step 3: Mount VP-554X

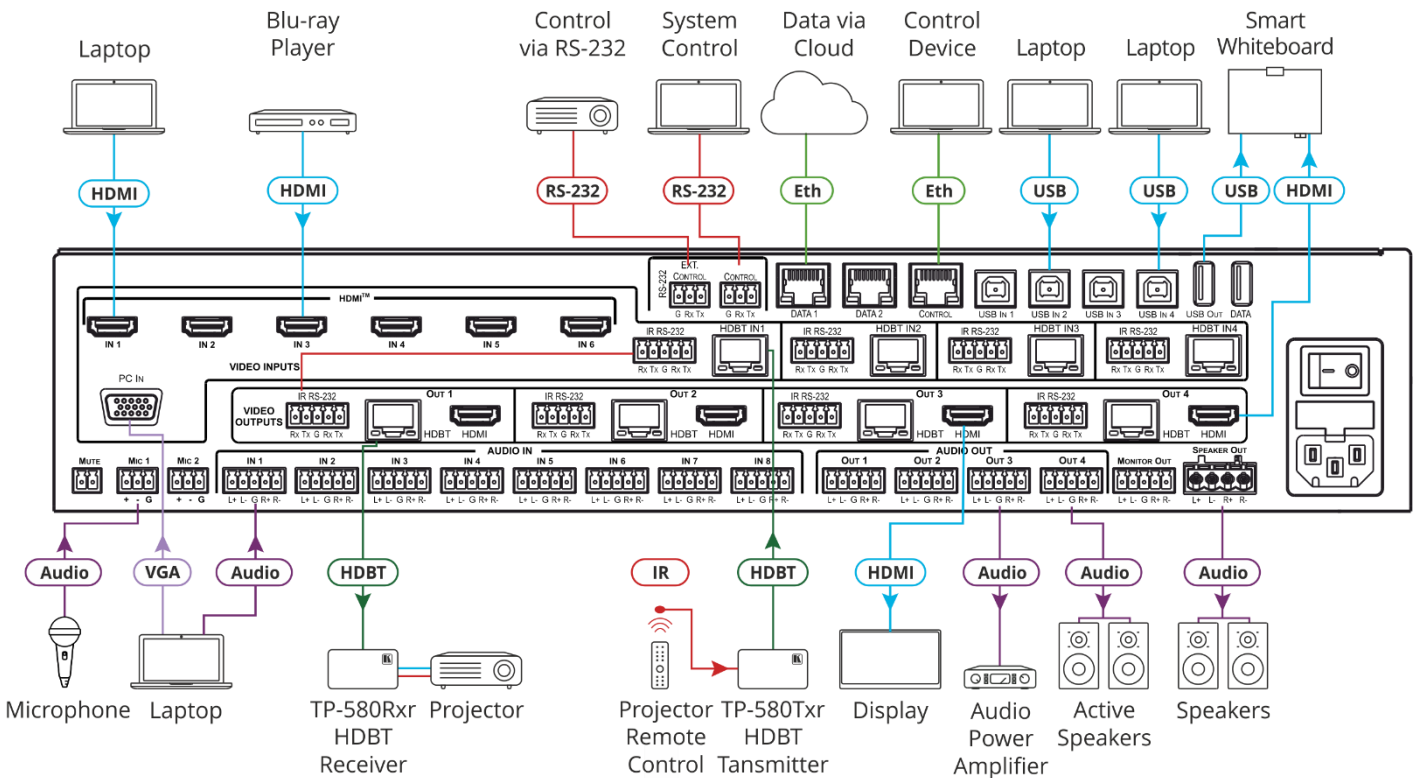
To rack mount the machine, attach both rack ears (by removing the screws from each side of the machine and replacing those screws through the rack ears) or place the machine on a table.



- Ensure that the environment (e.g., maximum ambient temperature & air flow) is compatible for the device.
- Avoid uneven mechanical loading.
- Appropriate consideration of equipment nameplate ratings should be used for avoiding overloading of the circuits.
- Reliable earthing of rack-mounted equipment should be maintained.

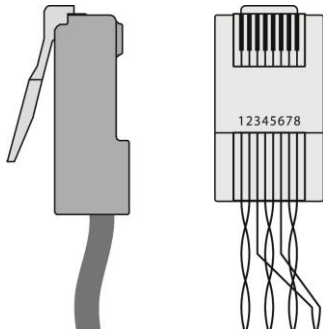
Step 4: Connect inputs and outputs

Always switch OFF the power on each device before connecting it to your VP-554X.



Wiring the RJ-45 Connectors:

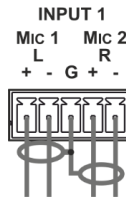
This section defines the TP pinout, using a straight pin-to-pin cable with RJ-45 connectors.



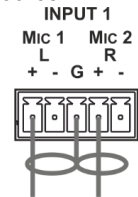
PIN EIA / TIA 568B	
PIN	Wire Color
1	Orange / White
2	Orange
3	Green / White
4	Blue
5	Blue / White
6	Green
7	Brown / White
8	Brown

Connect the audio input:

To a balanced stereo audio source:



To an unbalanced stereo audio source:

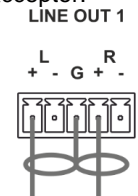


Connect the audio output:

To a balanced stereo audio acceptor:



To an unbalanced stereo audio acceptor:



For optimum range and performance use the recommended Kramer cables available at www.kramerav.com/product/VP-554X. Using third-party cables may cause damage!

Step 5: Connect power

Connect the power cord to **VP-554X** and plug it into the mains electricity.



Safety Instructions (See www.kramerav.com for updated safety information)

Caution:

- For products with relay terminals and GPIO ports, please refer to the permitted rating for an external connection, located next to the terminal or in the User Manual.
- There are no operator serviceable parts inside the unit.

Warning:

- Use only the power cord that is supplied with the unit.
- Disconnect the power and unplug the unit from the wall before installing.
- Do not open the unit. High voltages can cause electrical shock! Servicing by qualified personnel only.
- To ensure continuous risk protection, replace fuses only according to the rating specified on the product label which located on the bottom of the unit.

Step 6: Operate VP-554X

Operate **Product** via:

- Front panel buttons
- Remotely, by RS-232 serial commands transmitted by a touch screen system, PC, or other serial controller
- Embedded webpages via the Ethernet

RS-232 Control / Protocol 3000			
Baud Rate:	115,200	Parity:	None
Data Bits:	8	Command Format:	ASCII
Stop Bits:	1		
Example (Set AUDIO OUT 1w level to -50dB): #AUD-LVL 1,1,-50			
Default Ethernet Parameters			
IP Address:	192.168.1.39	UDP Port #:	50000
Subnet Mask:	255.255.0.0	TCP Port #:	5000
Gateway:	0.0.0.0.		
Default Username:	Admin		
Default Password:	Admin		

Switch an input to an output

Press an output button followed by an input button to switch the selected input to the selected output.

Store a switching setting

1. Configure the switching as required for the preset.
2. Press **STO**.
The STO button flashes.
3. Select an input button.
4. Press **STO** to store the current setup.
The STO button stops flashing.

Recall a switching setting

1. Press **RCL**.
The RCL button flashes.
2. Press the relevant input button that stored the preset.
3. Press **RCL** to recall the stored preset.
The RCL button stops flashing.

Using the OSD Menu

The control buttons let you control **VP-554X** via the OSD menu (which is displayed on the video output).

- Press the **OSD SELECT** button to select on which output to display the OSD.
- Press the **MENU** button to enter the menu (the default timeout is set to 10 seconds).
- Press the **ENTER** button to accept changes and to change menu settings.
- Press the **Arrow** buttons to move through the OSD menu.
- Select **EXIT** on the OSD menu, to exit the menu.

The terms HDMI, HDMI High-Definition Multimedia Interface, and the HDMI Logo are trademarks or registered trademarks of HDMI Licensing Administrator, Inc.