



Scan for full manual

KT-2010 / KT-2010WM Quick Start Guide

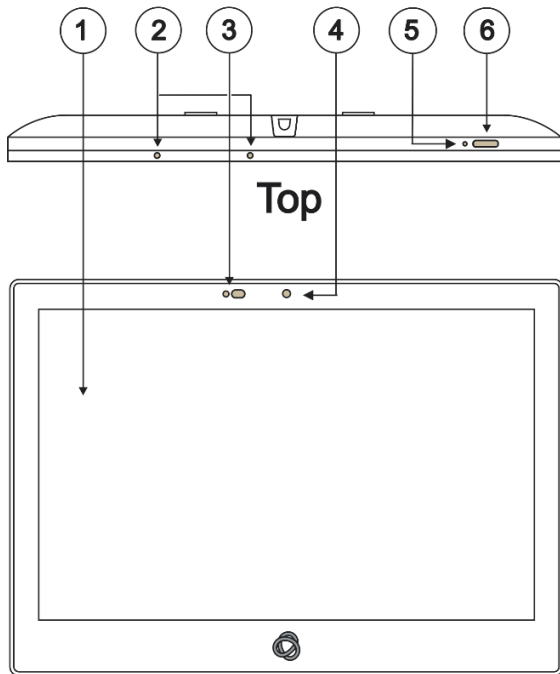
This guide helps you install and use your KT-2010 / KT-2010WM for the first time.

Go to www.kramerav.com/downloads/KT-2010 or <http://www.kramerav.com/downloads/KT-2010WM> to download the latest user manual and check if firmware upgrades are available.

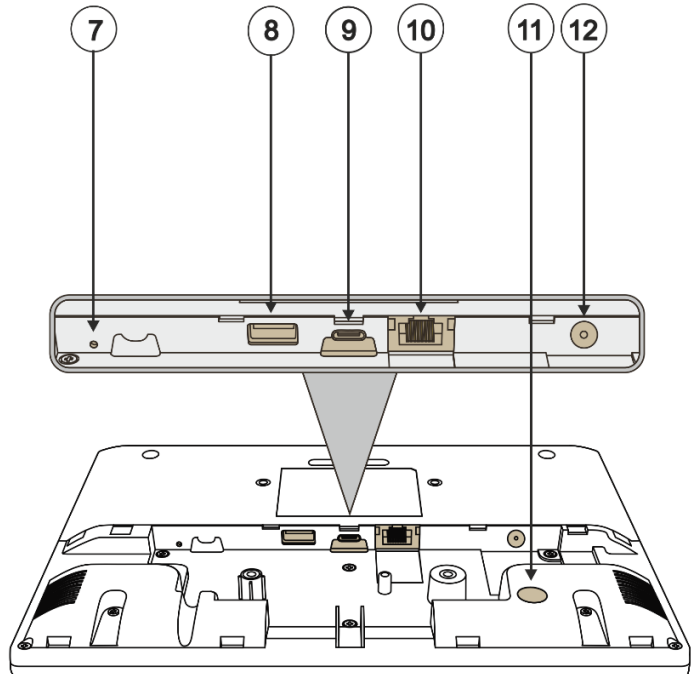
Step 1: Check what's in the box

KT-2010:	✔ 10" Touch Panel	✔ 1 Quick start guide	✔ Table stand	✔ Mounting accessories
KT-2010WM:	✔ 10" Touch Panel	✔ 1 Quick start guide	✔ Wall mount for UK, EU and USA one gang boxes	✔ Mounting accessories

Step 2: Get to know your KT-2010 / KT-2010WM



Front



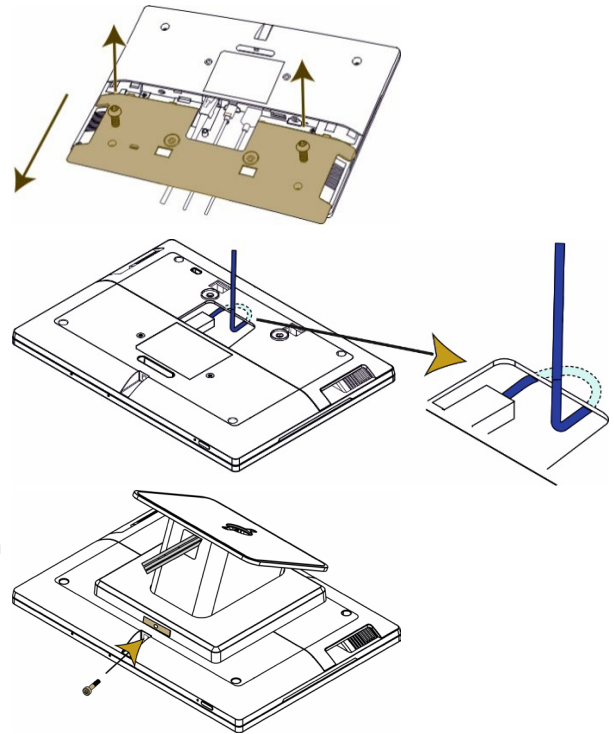
Back

#	Feature	Function
1	Display	Touch panel
2	Microphone	For audio communication, recording or conferencing.
3	Proximity Sensor	Automatically adjusts the screen brightness and camera according to the room lighting conditions.
4	Camera	For future use.
5	Reset	Located on the topside. Insert a pin and hold for a few seconds to restart.
6	Home Button	Press to wake up / darken the screen.
7	Restore Factory Reset Button	Insert a pin and hold for 22 seconds to reset the device to factory default values.
8	USB 3.0 Port	Multipurpose port for external connection.
9	USB Type-C Port	Multipurpose port for external connection.
10	LAN 1G(PoE) RJ-45 Port	Connect to the LAN for network communication. KT-2010 / KT-2010WM is powered by PoE (power over ethernet) delivered through the LAN port. Optionally, you can connect the power adapter too (as backup).
11	Kensington Lock	Anti-theft security slot for locking the device.
12	12V/2A DC Connector	Connect to the power adapter (optional, purchased separately).

Step 3: (Option 1) Mount KT-2010 on a Table

Simple Mounting (moveable table stand)

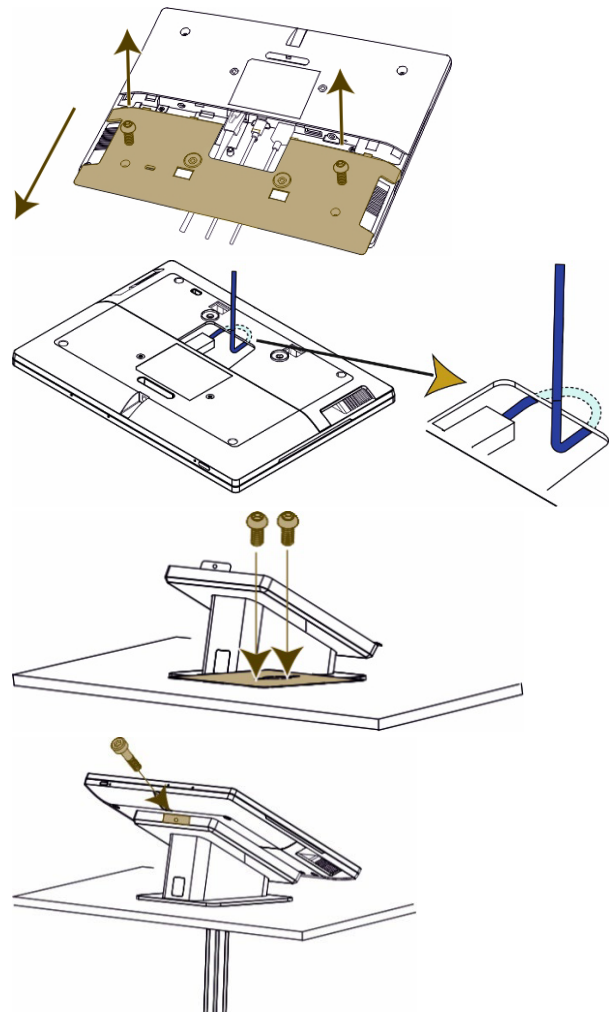
1. Remove the I/O cover:
 - Take out the 2 M2 screws.
 - Insert fingers into the two slots and slide the cover down.
2. Connect any necessary cables, running them through the table stand to the **KT-2010**.
3. Replace the I/O cover, taking care to prevent pressure on the RJ-45 cable:
 - Use a cable without a hood.
 - Curl the cable under the cover.
4. Close the cover with the 2 M2 screws.
5. Lay the **KT-2010** face-down and mount the table stand on it.
6. Insert and fasten the provided M3 screw that secures the bottom of the **KT-2010** to the table stand.



The table stand and touch panel are now ready for use.

Secure Mounting (fixed table stand)

1. Remove the I/O cover:
 - Take out the 2 M2 screws.
 - Insert fingers into the two slots and slide the cover down.
2. Connect any necessary cables, running them through the table stand to the **KT-2010**.
3. Replace the I/O cover, taking care to prevent pressure on the RJ45 cable:
 - Use a cable without a hood.
 - Curl the cable under the cover.
4. Close the cover with the 2 M2 screws.
5. Lay the **KT-2010** face-down and mount the table stand on it.
6. Secure the stand to the table using the two provided 5/32" screws.
7. Mount the **KT-2010** on the stand and secure it with the provided M3 screw.



The table stand and touch panel are now ready for use.



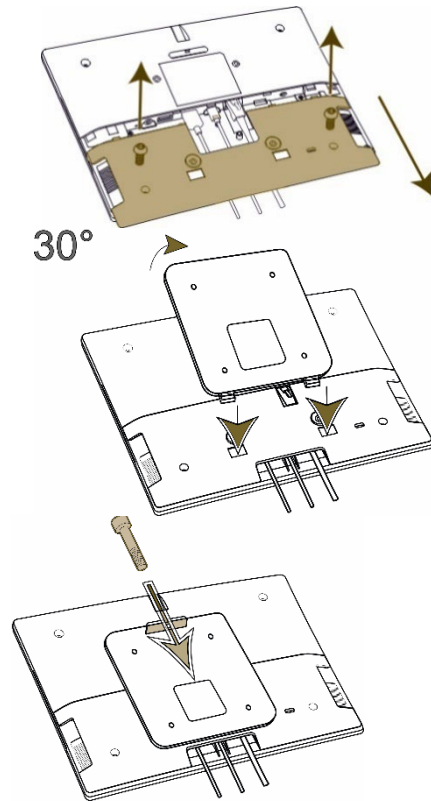
For optimum range and performance use the recommended Kramer cables available at www.kramerav.com/product/KT-2010.

Using third-party cables may cause damage!

Step 4: (Option 2) Mount KT-2010WM on a Wall

To mount the device on a one gang box:

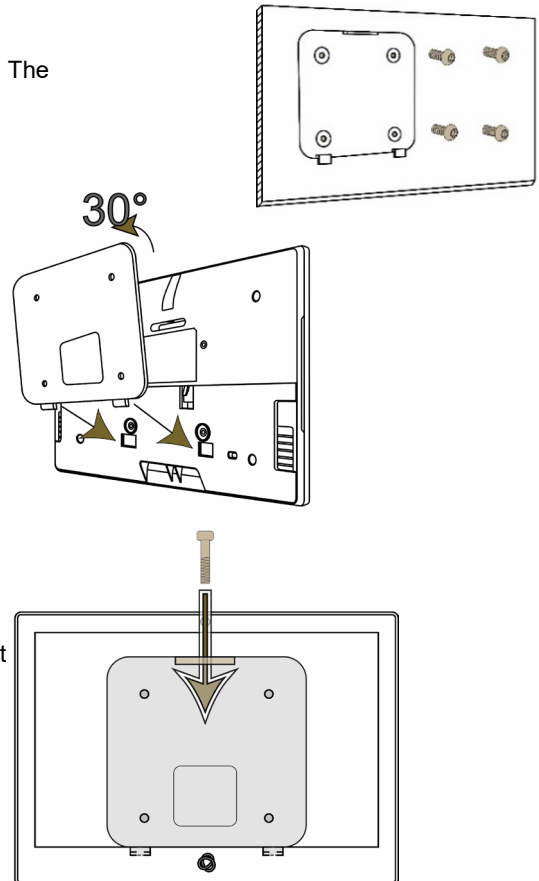
1. Remove the I/O cover:
 - Take out the 2 M2 screws.
 - Insert fingers into the two slots and slide the cover down.
2. Connect any necessary cables to the **KT-2010WM**.
3. Replace the I/O cover, and close with the 2 M2 screws.
4. Click the wall bracket onto the back of the I/O cover (push the bracket into place while holding its top slightly outward).
Note: The bracket may look slightly different and have additional screw holes.
5. Secure the wall bracket to the touch panel cover using the M3 screw.



The touch panel is mounted.

To mount the device on a secured wall bracket:

1. Mount the wall bracket on to the installation point (screws not provided). The bracket may have additional screw holes not shown here.
2. Connect the touch panel to the wall bracket (lift it into place while holding the top of the touch panel slightly outward).
3. Use the provided M3 screw to secure the touch panel to the wall bracket and back cover.



The touch panel is mounted.



For optimum range and performance use the recommended Kramer cables available at www.kramerav.com/product/KT-2010WM. Using third-party cables may cause damage!

SIMPLIFIED EU DECLARATION OF CONFORMITY

Hereby, Kramer Electronics declares that the radio equipment type KT-2010 and KT-2010WM is in compliance with Directive 2014/53/EU. The full text of the EU declaration of conformity is available via the Resources tab on the product page at the following internet addresses:

<https://www1.kramerav.com/product/kt-2010>

Step 5: Connect to Power

KT-2010 and KT-2010WMM are powered by PoE (Power over Ethernet). When accepting power from a PoE provider, there is no need to connect a DC power supply. If you do need an external power adapter, it can be purchased separately.

Connect the device to a LAN switch with PoE: The device starts automatically when power is connected.



- Ensure that the environment (e.g., maximum ambient temperature & air flow) is compatible for the device.
- Avoid uneven mechanical loading.
- Appropriate consideration of equipment nameplate ratings should be used for avoiding overloading of the circuits.
- Reliable earthing of rack-mounted equipment should be maintained.
- Maximum mounting height for the device is 2 meters.

This equipment has been tested and found to comply with the limits for a Class A digital device, pursuant to Part 15 of the FCC Rules. These limits are designed to provide reasonable protection against harmful interference when the equipment is operated in a commercial environment. This equipment generates, uses, and can radiate radio frequency energy and, if not installed and used in accordance with the instruction manual, may cause harmful interference to radio communications. Operation of this equipment in a residential area is likely to cause harmful interference in which case the user will be required to correct the interference at his/her own expense.

Changes or modifications not expressly approved by the manufacturer could void the user's authority to operate the equipment.

This device complies with Part 15 of the FCC Rules. Operation of the device is subject to the following conditions:

- This device may not cause harmful interference
- This device must accept any interference received, including interference that may cause undesired operation
- Recommendations for safe exposure to non-ionizing radiation: Only use the device at least 20 centimeters away from your body.

Step 6: Customize KT-2010 / KT-2010WMM settings





KT-2010 and KT-2010WMM are designed to operate with **Kramer Control**. Ideally, their operational characteristics should be defined before they are used. For more information please scan this code.




- By default, KT 2010 / KT 2010WMM displays the Kramer Agent interface that turns the touch panel into a controllable device interacting with Kramer Brain / Virtual Brain room control software. The Brain IP needs to be setup (see step 6).

The following setup steps are recommended before using your touch panel:


- Exit the Kramer Agent:** Swipe up from the Kramer logo to display the PIN entry pop-up, or click RESET PIN. **The default PIN is 9428.** The bottom navigation bar will pop-up; Press the circle to access the Home screen.
- Set the device's time and date:**
 - On the Home screen, press the **Settings** icon  and then select **Date & time > Time zone** and set the **Region**.
- Setup the Ethernet or Wi-Fi connection:**
 - On the Home screen, press **Settings**  and select **Network & Internet > Wi-Fi** (or **Ethernet**). For detailed information, see "Connecting to Wi-Fi or Ethernet" in the [User Manual](#) (QR code).



4. (optional) Change the time of OS firmware updates:


- By default, the system checks for firmware updates at midnight: Updates are automatically downloaded and installed.
- To change FW update settings, in the **Settings**  screen select **Firmware update > Remote firmware update**.
 - Press the time to change the time. Clear the URL to prevent automatic updates (updates will be manual).

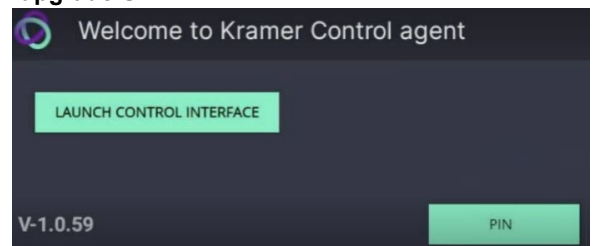
5. (optional) Change the time of Kramer Agent (APK) updates:

- By default, the system checks for Kramer Agent updates at midnight.
- To change APK update settings, open the **Settings**  screen and select **Remote APP upgrade URL**.
 - Press the time to change the time. Clear the URL to prevent automatic updates (updates will be manual).

Note: Factory resets delete the Kramer Agent but not the **Remote APP upgrade URL**.

6. Setup the Kramer Agent to display your Control Interface:

- If the Kramer Control Agent is not running, then on the touch panel's Home page, open the **Kramer Agent** app .
- Press **Launch Control Interface** and enter the IP address and port of the interface you defined in Kramer Brain, for example "https://<Brain-IP>:8001". The hardware section of the builder's Brain info contains the IP:port# of the Brain.



The touch panel's link to the Kramer Control interface can also be set up from a laptop browser on the network or from the Brain. For more information see the touch panel's user manual, in the Resources tab at https://www.kramerav.com/product/KT-2010#Tab_Resources or scan the QR code.

Note: If you enter a "generic" URL such as www.google.com, the touch panel will display that page.

Specifications are subject to change without notice at www.kramerav.com

