

Fiber Transition Case

The Primex Fiber Transition Case (FTC) is an efficient and adaptable solution for storing up to 3' of fiber drop cable and a simplex connector. The FTC is ideal for test points, Fiber-to-the-desk, and repair splices.

In the footprint of a standard wall outlet, this enclosure offers splice holders on each side and an optional external adapter mount for tight-space applications.

Features & Benefits

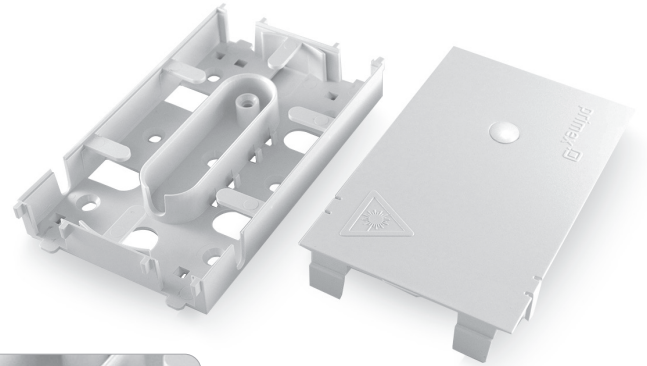
- Up to 3' of fiber drop cable management with a protective lid
- Ports hold a simplex connector on each end
- Single fusion splice holders
- Break-off tabs allow for scalability for up to two entry/exit ports
- Optional side mount for external adapter use in applications with limited space
- Optical wall outlet capability
- Available in PVC for outside use in Primex enclosures or ABS for inside stand-alone use

Dimensions

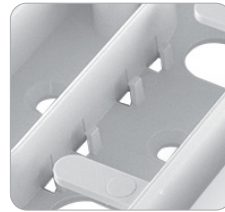
H: 4.8"/W: 2.8"/D: 0.7"

Ordering Information

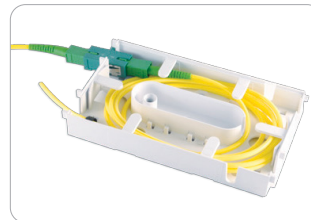
P/N	Model	Description
125-0945	FTC01	White ABS w/screw cap
125-0873	FTC01-1	White ABS w/single SC/APC Adapter
125-0848	FTC31	Grey PVC
125-0849	FTC1-01	White, w/ext. adapter mount
125-0850	FTC1-31	Grey, w/ext. adapter mount



125-0945

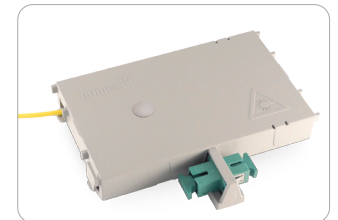


Integrated splice holder

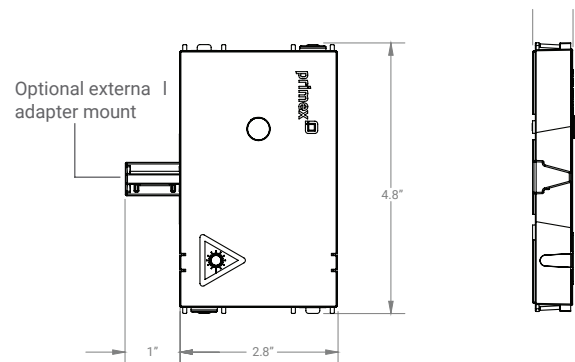


125-0873
Internal bulkhead mount

*Optional fiber pigtails



125-0849
External bulkhead mount



Optional external adapter mount

4.8"

1"

2.8"

Break off tabs

