

Rack-Mount Panels for Equipment Cable Management

The following installation instructions are intended to be used when installing the following Signamax products:

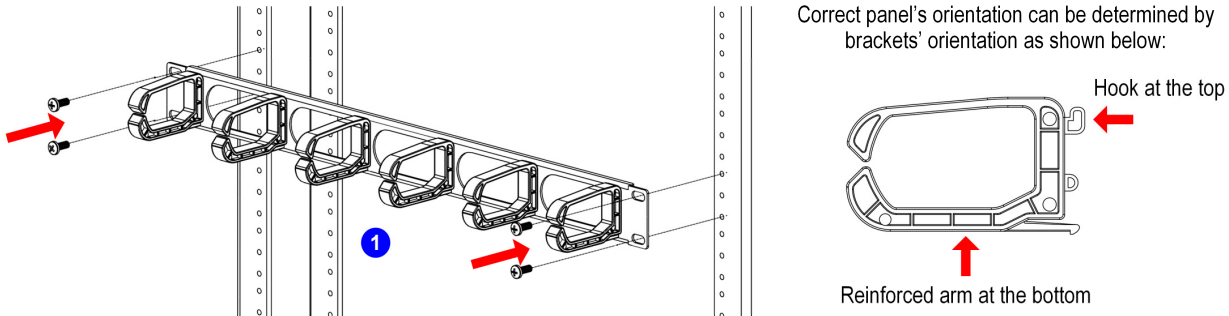
CMRM-01.1 CMRM-01.2

NOTES:

1. Some details shown in these instructions may look slightly different in actual products.
2. 1-RMU panel pictures were used for illustration purposes, for 2-RMU panels, due to their symmetrical design, the same installation rules would apply.

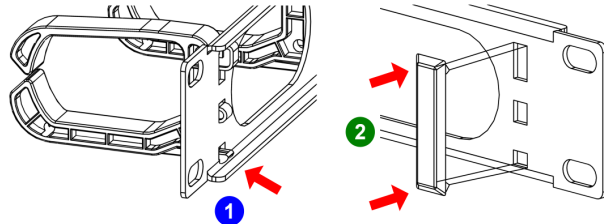
PANEL INSTALLATION IN MOUNTING HARDWARE

Using four screws ① (#10-32 or #12-24, depending on mounting hardware) provided with panel, affix panel to mounting hardware at desired position.



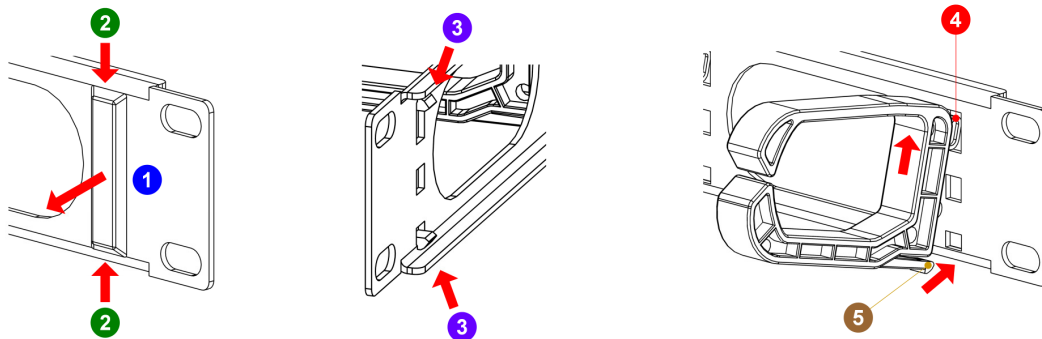
CABLE MANAGEMENT BRACKET REMOVAL

1. Using screwdriver or other tool with flat pointing tip, depress bracket's latch ① and remove bracket by pushing it out of its mounting slots.
2. If necessary, cover bracket's mounting slots with plastic plug ② by snapping it in bracket's mounting slots.



CABLE MANAGEMENT BRACKET INSTALLATION

1. If present, remove decorative plastic plug ① covering bracket mounting slots using screwdriver or other tool with flat pointing tip by depressing plug's latches from panel's front ② or rear ③.
2. Start inserting bracket's hook ④ into upper mounting slot until it's fully engaged.
3. Insert bracket's latch ⑤ into lower mounting slot; it should snap in and lock bracket in place.



PRODUCT INSTRUCTIONS