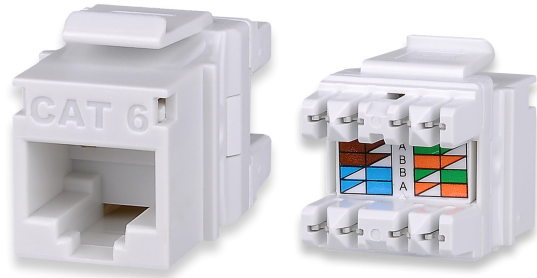


## Category 6 Unscreened High-Density MT-Series Keystone Jack

Category 6 unscreened high-density keystone jacks have been designed to meet the need for today's high-bandwidth applications. Category 6 connectors are slim in profile for the highest density applications, and are engineered to exceed all ANSI/TIA-568-C.2 category 6 requirements.

Special design features allow jack to be terminated with a standard 110 single-position tool or with the Signamax four-pair tool.



### KEY FEATURES

- Guaranteed to meet or exceed TIA-568-C.2 component performance
- Supports TIA-568-C.2 category 6 100-meter channel performance
- Multi-purpose keystone design – equally suitable as a work area outlet and a patch panel port
- 180° high density – compatible with all Signamax keystone faceplates, surface mount boxes, and snap-in patch panels
- Rear 110 type contacts provide improved wire retention and ease of termination
- Rated for at least 750 plug insertions providing for the highest level of system reliability
- Contact design provides enhanced plug-to-jack connection integrity and protects against damage caused by insertion of 4- or 6-position plugs
- T568A and T568B wiring with an easy-to-read color-code wiring label for maximum flexibility
- Have an ability to mount either color-coded icon tabs for service identification or dust covers to protect unused jacks from dust and other contaminants
- Terminated with standard single-position 110 or Signamax four-pair termination tools

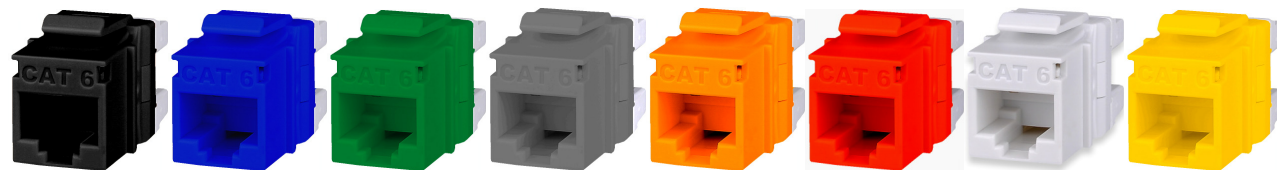
### ORDERING INFORMATION

#### Category 6 High-Density MT-Series Keystone Jack

Part Number	Description
KJ458MT-C6C	Category 6 MT-Series High-Density Keystone Jack, T568 A/B

Standard color is Light Ivory. For other colors add following to P/N:

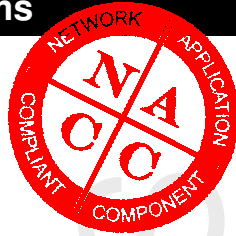
-BK (Black)	-BU (Blue)	-GN (Green)	-GY (Gray)	-OR (Orange)	-RD (Red)	-WH (White)	-YE (Yellow)	-DI (Dark Ivory)
-------------	------------	-------------	------------	--------------	-----------	-------------	--------------	------------------



### RELATED PRODUCTS

Product/Product Group	Spec Sheet #
4-Pair Termination Tool for MT-series Keystone Jacks _____	PSS.KJMT-8600 (A-MAR-10)
Category 6 Unscreened Twisted-Pair Patch Cords _____	PSS.C6P-CL-PC (A-AUG-07)
Keystone Jack Accessories _____	PSS.KJA (B-OCT-11)
Keystone Faceplates Adapters and Mounting Hardware _____	PSS.KFA-MH (A-AUG-07)
Keystone Plastic Faceplates _____	PSS.KPF (C-OCT-11)
Keystone Stainless Steel Faceplates _____	PSS.KSSF (B-AUG-09)
Modular Furniture Keystone Adapters _____	PSS.MFKA (A-AUG-07)
Keystone Surface Mount Multimedia Boxes _____	PSS.KSM-MMB (A-SEP-08)
Unloaded High Density Multimedia Patch Panel _____	PSS.U-HD-MM-PP (A-OCT-08)

SPECIFICATIONS



## Category 6 Unscreened High-Density MT-Series Keystone Jack

### SPECIFICATIONS

#### TRANSMISSION PERFORMANCE

ANSI/TIA-568-C.2: meets or exceeds category 6 (1–250 MHz) component specifications

#### TRANSMISSION MEDIA

Unscreened twisted pair (U/UTP)

#### JACK TYPE

8p8c (8-position, 8-contact) "RJ45" style

#### WIRING SCHEME

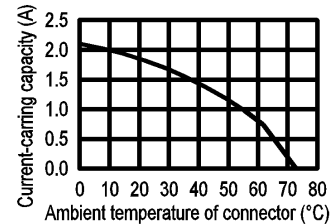
ANSI/TIA-568-C.2: T568A & T568B  
ISO/IEC 11801 2<sup>nd</sup> Ed.: 8-position pin/pair assignment (1-2/3-6/4-5/7-8)

#### WIRE GAUGE

22–24 AWG (0.644–0.511 mm)

#### ELECTRICAL

Insulation resistance: min 500 MOhm @ 100 V<sub>dc</sub>  
Dielectric withstanding voltage: 1,000 V<sub>dc/ac</sub> peak contact-to-contact @ 60 Hz for 1 min  
Spring wire contact resistance: max 20 mOhm  
IDC contact resistance: max 2.5 mOhm  
Current rating: see figure



#### CONSTRUCTION

Housing: high-impact thermoplastic, UL94V-0 fire-retardant  
Jack spring wire: phosphor bronze alloy plated with 50 µin of gold over 70–100 µin of nickel  
IDC: 110 type, phosphor bronze alloy with 100-µin 100% tin (Sn) alloy

#### MECHANICAL

Total contact force: min 800 g for 8 wire leads  
Retention force: 50 N (11 lbf) for 60 ± 5 s  
Mating cycle life: min 750 cycles

#### FOOTPRINT

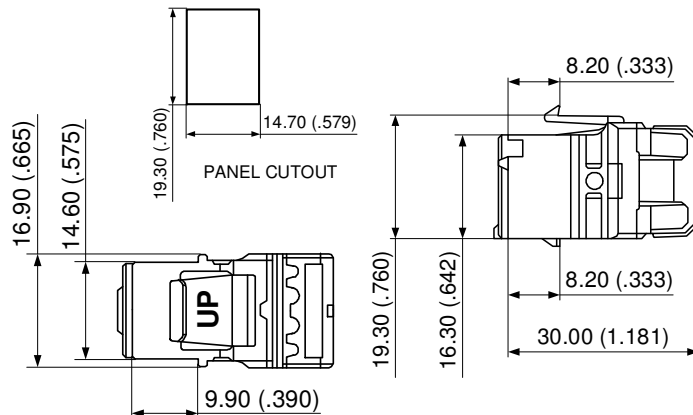
Standard keystone footprint

#### MOUNTING DIMENSIONS

D 30.00 mm H 19.30 mm W 16.90 mm  
D 1.181 in H 0.760 in W 0.665 in

#### ENVIRONMENTAL CONDITIONS

Storage: -40 °C – +70 °C (-40 °F – +158 °F)  
Operation: -10 °C – +60 °C (+14 °F – +140 °F)  
RH (operation): max non-condensing 93 %



#### COMPLIANCE

ANSI/TIA-568-C.2, IEC 60603-7, FCC Part 68 Subpart F, UL 94V-0

#### APPLICATIONS

X.21, V.11, S0, ISDN, CSMA/CD 10BASE-T, 100BASE-TX, 100BASE-T4, 100BASE-T2, 1000BASE-T, 10GBASE-T (up to 55 m (180 ft)), TR 4/16/100, 100BASE-VG, ATM LAN 25/51/155, TP-PMD

#### WARRANTY

5-year limited component warranty  
10-year Signamax Link/Channel Warranty  
15-year Signamax Extended Component Warranty  
25-year Signamax Cabling System Warranty

