



Scan for full manual

## VS-88HDCPXL Quick Start Guide

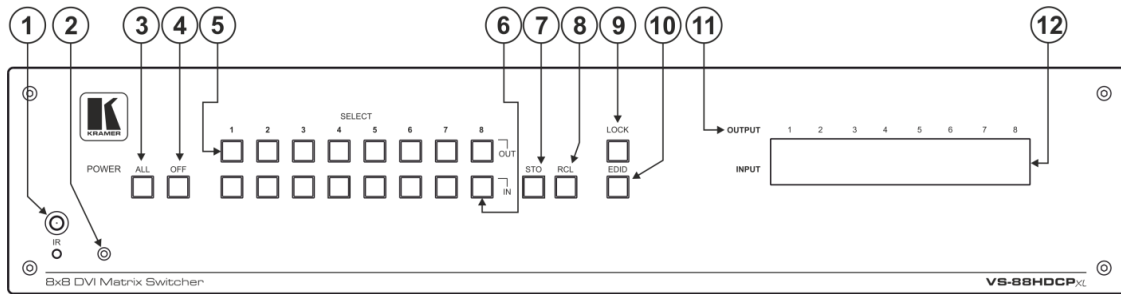
This guide helps you install and use your VS-88HDCPXL for the first time.

Go to [www.kramerav.com/downloads/VS-88HDCPXL](http://www.kramerav.com/downloads/VS-88HDCPXL) to download the latest user manual and check if firmware upgrades are available.

### Step 1: Check what's in the box

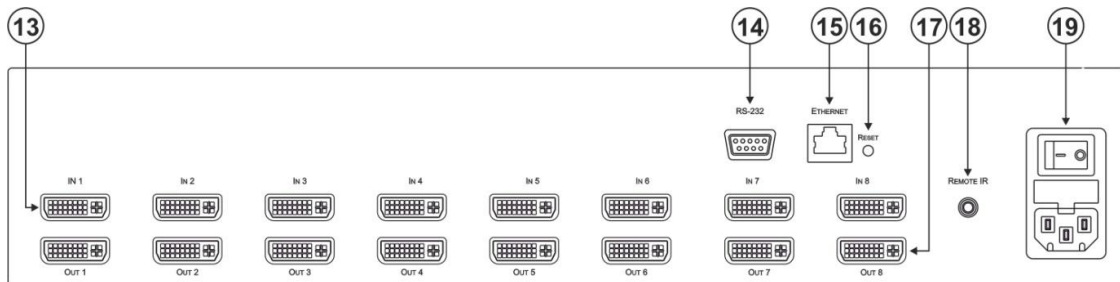
- ✓ VS-88HDCPXL 8x8 DVI Matrix Switcher
- ✓ Kramer RC-IR3 Infrared Remote Control Transmitter with batteries and user manual
- ✓ 1 Set of rack ears
- ✓ 1 Power cord
- ✓ 4 Rubber feet
- ✓ 1 Quick start guide

### Step 2: Get to know your VS-88HDCPXL



Front Panel

#	Feature	Function
1	IR Receiver and LED	IR remote control sensor. LED lights yellow when receiving an IR signal
2	POWER LED	Lights green when the unit is turned on
3	ALL Button	Press to select all inputs or all outputs
4	OFF Button	Press to disconnect one or all outputs
5	SELECT OUT Buttons	Press to select an output (from 1 to 8) Note that when a sink is connected to an output, that output button lights <b>i</b> If a screen that does not support HDCP is connected to an output, the button of that output may possibly remain unlit
6	SELECT IN Buttons	Press to select an input (from 1 to 8) Note that when there is a live signal at an input, that input button lights
7	STO Button	Press to store a switching configuration
8	RCL Button	Press to recall a switching configuration
9	LOCK Button	Press and hold to lock the front panel buttons and to acquire the EDID. Press and hold a second time to unlock the front panel buttons
10	EDID Button	Press to acquire the EDID
11	OUTPUT 1 to 6	Indicates the output channels and their respective input selections on the 7-segment display
12	INPUT 7-segment Display	Number shown on the display indicates the relevant input channel



Rear Panel

#	Feature	Function
13	INPUT DVI Connectors	Connect to the DVI sources (from 1 to 8)
14	RS-232 9-pin D-sub (F) Connector	Connect to a PC or the serial remote controller

#	Feature	Function
15	ETHERNET RJ-45 Connector	Connect to a PC or other Ethernet controller via a LAN
16	RESET Button	Press and hold to reset the Ethernet configuration to its factory default values
17	OUTPUT DVI Connectors	Connect to the DVI acceptors (from 1 to 8)
18	REMOTE IR 3.5mm Mini Jack	Connect to an external IR receiver unit for controlling the machine via an IR remote controller (instead of using the front panel IR receiver)
19	Mains Power Connector with Switch and Fuse	Connect to the AC mains supply and use the switch to turn the device on or off

### Step 3: Mount VS-88HDCPXL

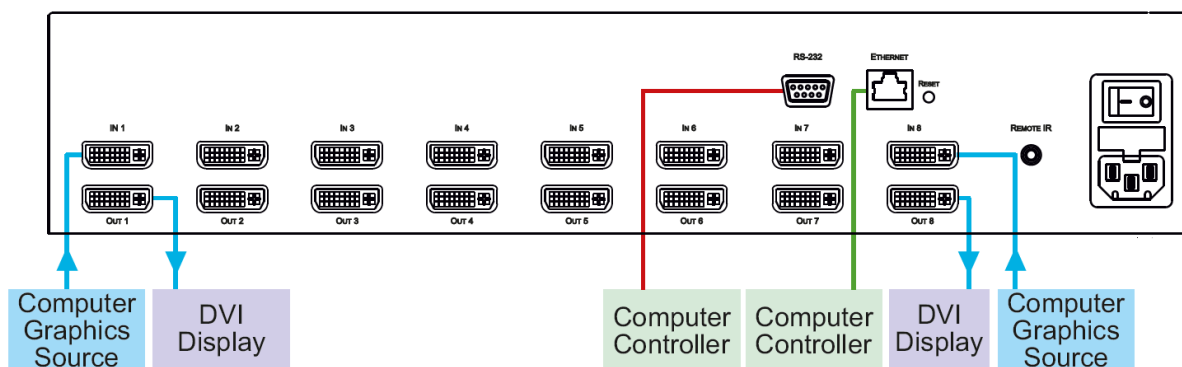
To rack mount the machine, attach both rack ears (by removing the screws from each side of the machine and replacing those screws through the rack ears) or place the machine on a table.



- Ensure that the environment (e.g., maximum ambient temperature & air flow) is compatible for the device.
- Avoid uneven mechanical loading.
- Appropriate consideration of equipment nameplate ratings should be used for avoiding overloading of the circuits.
- Reliable earthing of rack-mounted equipment should be maintained.

### Step 4: Connect inputs and outputs

Always switch OFF the power on each device before connecting it to your VS-88HDCPXL.



To achieve specified extension distances, use the recommended Kramer cables available at [www.kramerav.com/product/VS-88HDCPXL](http://www.kramerav.com/product/VS-88HDCPXL). Using third-party cables may cause damage!

### Step 5: Connect power

Connect the power cord to VS-88HDCPXL and plug it into the mains electricity.

Safety Instructions (See [www.kramerav.com](http://www.kramerav.com) for updated safety information)

**Caution:**

- For products with relay terminals and GPIO ports, please refer to the permitted rating for an external connection, located next to the terminal or in the User Manual.
- There are no operator serviceable parts inside the unit.

**Warning:**

- Use only the power cord that is supplied with the unit.
- Disconnect the power and unplug the unit from the wall before installing.
- Do not open the unit. High voltages can cause electrical shock! Servicing by qualified personnel only.
- To ensure continuous risk protection, replace fuses only according to the rating specified on the product label which located on the bottom of the unit.

### Step 6: Operate VS-88HDCPXL

#### Acquire the EDID from a connected output

1. Press and hold the EDID and STO buttons for 3 seconds. Both buttons flash.
2. Press the INPUT button that receives the EDID. The input number flashes on display.
3. Press the OUTPUT button where the display is connected.
4. Press the EDID button.
5. When the buttons stop flashing and the display returns to normal, the EDID is acquired.

#### Store a preset

1. Set the device to the desired I/O setting.
2. Press the STO button. The STO button flashes.
3. Select an IN or OUT button to store the device setting.
4. Press the STO button to store the current setup.

#### Switch an input to an output

Press an output button followed by an input button to switch the pair.

#### Recall a preset

1. Press the RCL button. The RCL button flashes.
2. Press the relevant IN or OUT button.
3. Press the RCL button to recall the stored setting.