

# INSTALLATION

## Fail Secure RCI F2164 (Fire-Rated) & Fail Safe RCI 2364 ELECTRIC STRIKE

Standard Parts:
Insert
Deadbolt Keeper
Deadbolt Plug
Deadlatch Ramp (Auxiliary Bolt Bracket)
Keeper Sliding Shims: 1/16" (1.5mm) and 1/8" (3.0mm)
A Centerline Latch Faceplate and an Offset Latch Faceplate are provided. Both are: 4-7/8" x 1-1/4" (123.8mm x 31.8mm)
Trim Plate
12VDC or 12 to 24VAC Cable Connector
24VDC Cable Connector
Anti-Tamper Security Screws (2x 12-24) and Bit
Mounting Tab Kit (2x tabs, 4x shims and 5x 12-24 screws)
Inductive Kickback Suppressor - MOV

Accessories:
Latch Monitor Switch : F2LM
9" Centerline Latch Entry Faceplate : F2-19*
9" Offset Latch Entry Faceplate : F2-29*
Filler Plate - 2 Series Strike : 2FP
Strike Marking Template Kit: SMT-01

**\*Warning:** The fire & security ratings shown on the strike labels, no longer apply with the use of this faceplate.

UL 294 Performance Ratings:
Access Control Line Security : Level I
Destructive Attack : Level I
Endurance : Level IV
Standby Power : Level I

The RCI F2164 fail secure locking mechanism shall only be installed where allowed by the local authority having jurisdiction and shall not impair the operation of the panic hardware or intended operation of the emergency exit.

### Wiring Instructions

Use the appropriate wire harness supplied.

12V for 12VDC & 12-24VAC\*

24V for 24VDC only

Attach the red wire to (+) positive of the power supply.

Attach the black wire to the (-) negative of the power supply.

If using AC power, polarity is not observed.

\*RCI 2364 model designed for 12VDC & 24VDC only.

To meet BHMA A156.31, install the MOV provided across the positive and negative wires or terminals of the harness. The MOV is not polarity sensitive.

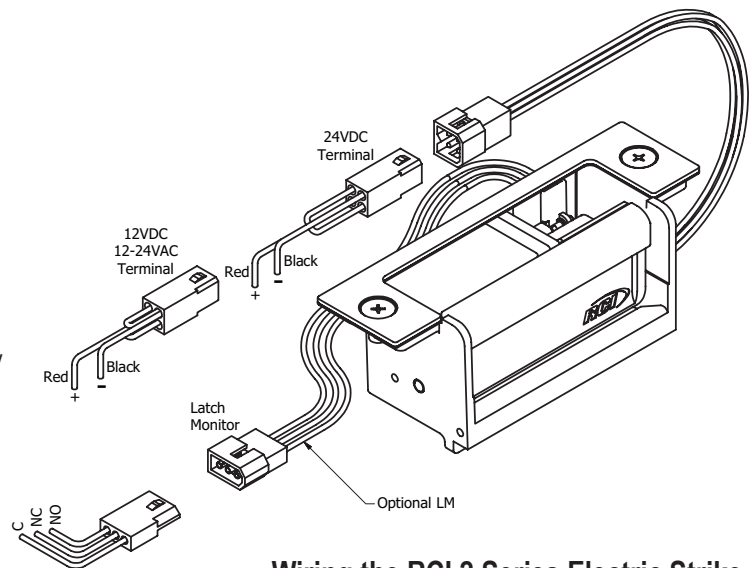
**NOTE:** If a suppression diode is required for access control, observe proper polarity.

### Latch Monitor Wires

Black = Common (C)

Blue = Normally Closed (NC)

Orange = Normally Open (NO)

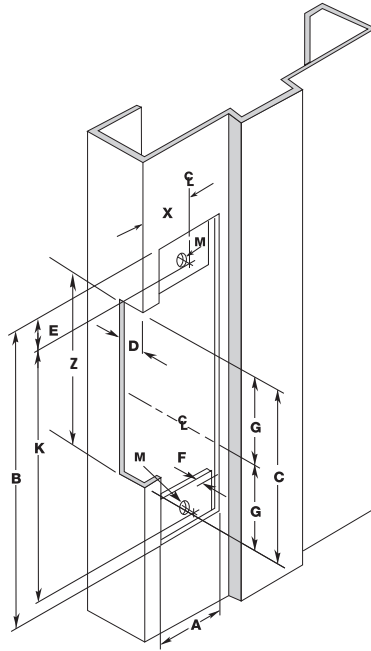


Wiring the RCI 2 Series Electric Strike

These strikes must be connected to a compatible UL Listed Burglary or Access Control Power Supply.

## Frame Prep Dimensions

MEASUREMENT	FRACTIONAL INCHES	DECIMAL INCHES	METRIC mm
A	1-1/4"	1.250	31.75
B	4-7/8"	4.875	123.83
C	3-3/8"	3.375	85.73
D	F + 1-7/16"	F + 1.438	F + 36.51
E	3/8"	0.375	9.53
F	3/16*	0.188*	4.76*
G	1-11/16"	1.688	42.86
X	Vertical Centre Line of Door Lock and Mounting Face Plate**		
K	4-1/8"	4.125	104.78
M	12-24	N/A	N/A
Z	3-5/16"	3.315	84.14



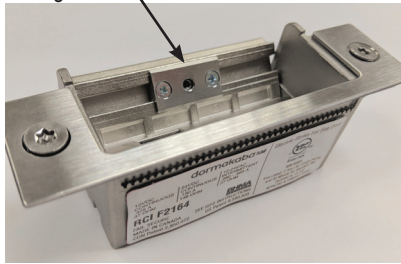
**NOTE:** Specifications subject to change without notice.

\* Dimension F is measured from face of mounting tab to face of frame.

\*\* Dimension X on the drawing is determined by the vertical centerline of the door. If the latch incorporates a deadlocking pin additional steps will be necessary to ensure proper operation of the deadlocking pin. Measure the thickness of the deadlocking pin and add this thickness to Dimension X to relocate the vertical centerline an appropriate distance on the frame.

## Special Features

Keeper  
Sliding Shim



Bend tabs to  
grip frame

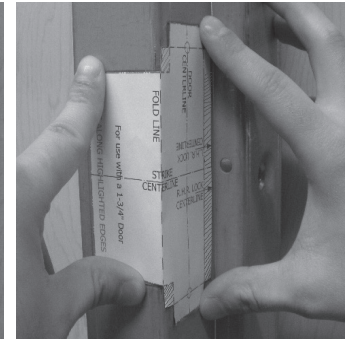


**Horizontal Adjustment:** If there is play in the door when closed; the keeper shims may be used to minimize play.

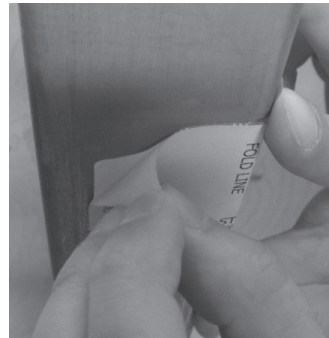
**Trim Plate:** This can be used in case the frame cutout is bigger than required.

## For Cutting ANSI Prep Frames

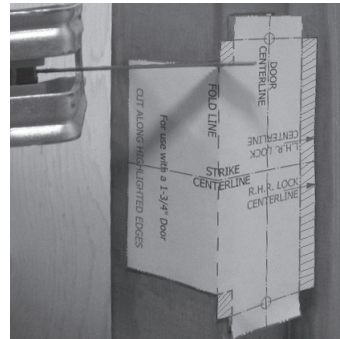
1. Place the folded template square to the frame. Horizontally align holes marked on the template with the mounting holes in frame.



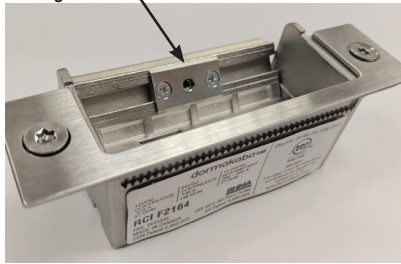
2. Peel adhesive backing and paste the folded template square to the frame.



3. Carefully cut the frame inside the un-shaded area marked on the template. Install strike per installation instructions ISF2



Keeper  
Sliding Shim

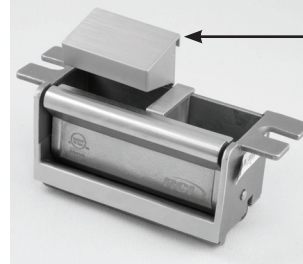


Bend tabs to  
grip frame



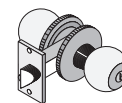
**Horizontal Adjustment:** If there is play in the door when closed; the keeper shims may be used to minimize play.

**Trim Plate:** This can be used in case the frame cutout is bigger than required.



Deadbolt  
Plug

Cylindrical



**Deadbolt Plug:** If the lock set doesn't have a deadbolt, then replace deadbolt keeper with deadbolt plug.

**NOTE:** Deadlatch Ramp also acts as a Keeper stop, so don't forget to insert it for centerline cylindrical lock applications.

## For Cutting Frames without ANSI Prep

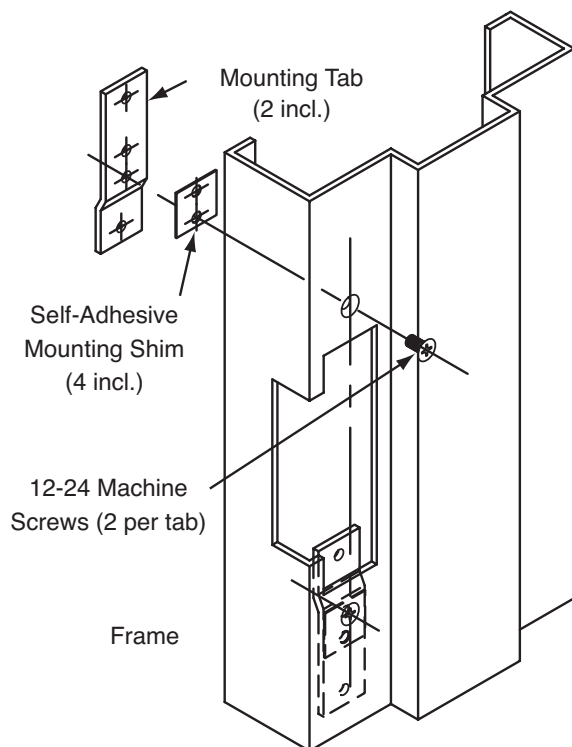
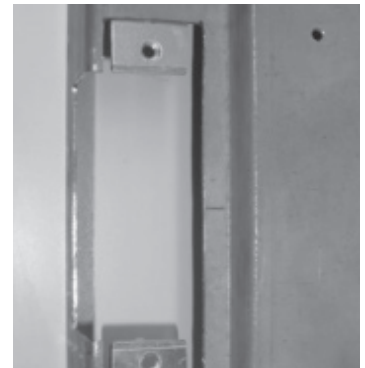
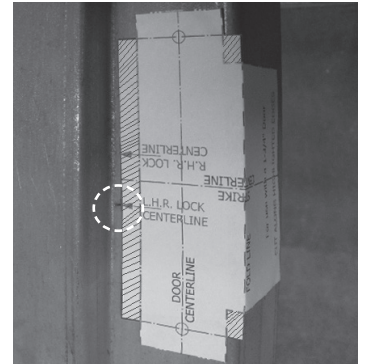
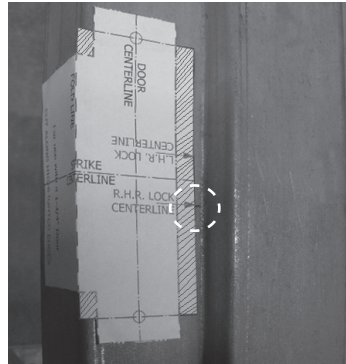
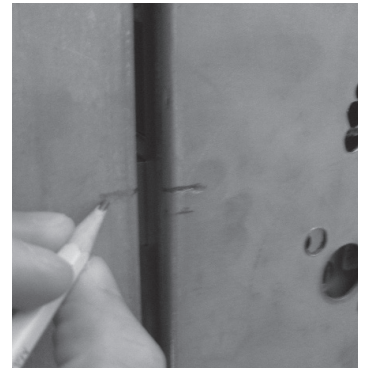
1. Mark the horizontal Lock Body Centerline on the door. Close the door and transfer the Lock Body Centerline to the frame.

If the door isn't flush to the frame in the closed position, mark the depth of the closed door on the frame. Measure half of the door thickness back toward the door stop and mark the vertical Door Centerline on the frame.

2. Horizontally align the proper Template Lock Centerline with the Lock Body Centerline marked on the frame. Peel adhesive backing and paste the folded template square to the frame.

If the door isn't flush to the frame when closed, tear the template at the fold line. Align the faceplate portion vertically with the Door Centerline and match the template Lock Centerline with the Lock Body Centerline marked on the frame. Carefully paste the front portion of the template on face of frame to align with the faceplate portion.

3. Carefully cut the frame inside the un-shaded area marked on the template. Follow Mounting Tab Installation Instructions.



- Fasten the mounting tabs to the faceplate of the strike, selecting the appropriate shims for the installation.
- Using the assembled strike and tabs as a template, place against the frame and mark the mounting hole locations. Remove and drill a 3/16" hole in frame for each mounting tab and countersink the frame.
- Remove the tabs from the faceplate and install in the frame using the 12-24 x 3/8" machine screws supplied. Tabs are plated and drilled and tapped for this purpose.
- Install strike per page 4 mounting instructions.

## Strike Mounting Instruction

**1. Mount the strike into the frame without the faceplate.**  
Tighten the mounting screws just enough to hold the strike in place; you may need to slide it up-down for adjustment.

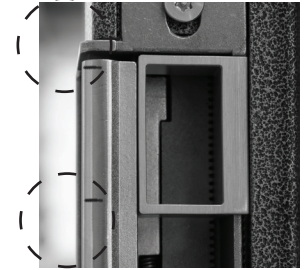


### **Adjust Deadbolt Keeper:**

First, extend the deadbolt and move the door so that deadbolt touches the keeper.

Mark deadbolt limit lines on strike keeper.

Then, open the door and retract the deadbolt. Adjust the deadbolt keeper position so that it aligns with deadbolt limit lines marked on keeper. Move the strike up-down if needed.

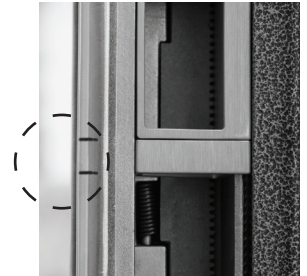


### **Adjust Deadlatch Ramp:**

First, move the door towards the strike so that the deadlatch touches the keeper.

Mark deadlatch limit lines on keeper.

Then, open the door. Adjust the deadlatch ramp so that it aligns with deadlatch limit lines marked on keeper.

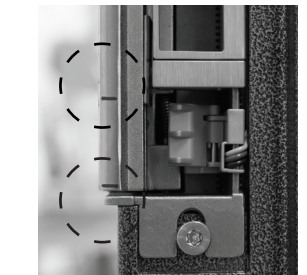


### **Adjust Plug-in Latch Monitor (Accessory):**

First, move the door towards the strike so that the latch touches the keeper.

Mark latch limit lines on keeper.

Then, open the door. Mount the Latch Monitor on the strike housing so that it is between the latch limit lines marked on keeper.



**2. Mark strike position on the frame.**



**3. Peel the adhesive backing from tape on the back side of the appropriate faceplate. Remove the strike mounting screws. Hold the strike in position as marked on frame. Carefully position the faceplate onto the strike and secure to the frame.**

