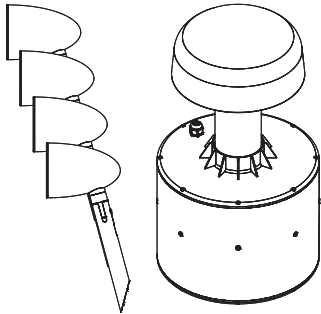
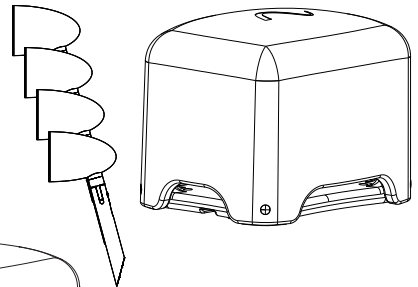




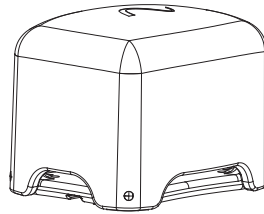
INSTALLATION MANUAL
ES-TERRAIN-SYS-4.1
ES-TERRAIN-HSUB-4.1
ES-TERRAIN-SAT-2.0
ES-TERRAIN-HSUB
ES-TERRAIN-SUB



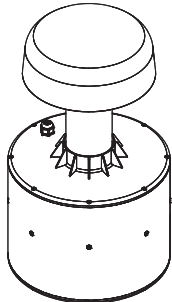
ES-TERRAIN-SYS-4.1



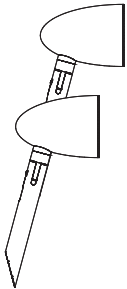
ES-TERRAIN-HSUB-4.1



ES-TERRAIN-HSUB



ES-TERRAIN-SUB



ES-TERRAIN-SAT-2.0

REAL. LIFE. SOUND.





INTRODUCTION

Welcome to Episode® Speakers. We appreciate your purchase and are committed to providing the highest-quality products possible.

IMPORTANT INSTRUCTIONS AND CONSIDERATIONS

Read and understand all instructions. Carefully plan the location and account for potential electrical, plumbing or other obstacles before beginning installation.

Package Contents

ES-TERRAIN-SYS-4.1

- (4) 4" Satellite speakers (stakes included)
- (1) 8" Burial subwoofer with 1.6', 4-conductor burial wire
- (1) End cap for stake installation
- Silicone-filled wire nuts for all connections

ES-TERRAIN-HSUB-4.1

- (4) 4" Satellite speakers (stakes included)
- (1) 8" Hardscape subwoofer with 1.6', 4-conductor burial wire
- (1) Base plate with mounting hardware
- (1) End cap for stake installation
- Silicone-filled wire nuts for speaker connections

ES-TERRAIN-SAT-2.0

- (2) 4" Satellite speakers (stakes included)
- Silicone filled wire nuts for all connections

ES-TERRAIN-HSUB

- (1) 8" Hardscape subwoofer
- (1) Base plate with mounting hardware
- (1) Silicone-filled wire nuts for all connections

ES-TERRAIN-SUB

- (1) 8" Burial subwoofer

NOTE: Other mounting accessories are sold separately. Up to 8 speakers can be supported by a single two-channel or multichannel amplifier. Expand your system by ordering extra speaker pairs (ES-TERRAIN-SAT-2.0).

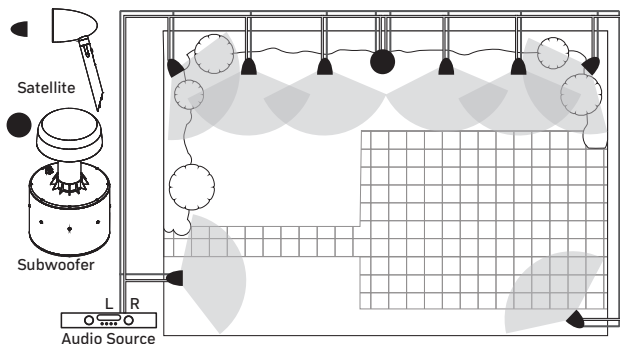
Additional Tools Required

- Wire stripper
- Rubber mallet
- Shovel
- Screws for base plate mounting (ES-TERRAIN-HSUB)



PLANNING THE PROJECT

The subwoofer is the heart of the outdoor system. Place it in a position that is as near to the center of the listening area as possible. To increase the perceived bass output, place the subwoofer next to a wall or other resonant/reflective surface.



The Terrain system is optimized to cover up to 278.71 sq. m. (3,000 sq. ft.) with 8 satellite speakers. Place speakers evenly throughout the coverage area.

Place the satellite speakers around the listening area on each side of the subwoofer, as evenly as you can. Space the satellite speakers 1.8–2.4 m (6–8 ft.) apart for best coverage. Arrange the satellite speakers evenly to minimize the variance of the sound texture.

Satellite Speaker Considerations

- Using more speakers (to a maximum of 8) in an area allows for more even sound coverage.
- Install speakers at ground level pointing toward the center of the area. This evens the sound texture and reduces sound escaping to other areas.
- If using a stereo sound system, place left and right speakers evenly to avoid uneven sound in the area.
- Do not aim speakers higher than 45° from the horizontal. This prevents water from collecting in the speaker driver. While water does not damage the speaker, it impedes performance and warps the sound. If water inside a speaker freezes, it can damage the speaker.

NOTE: An optional pivot bracket is required for horizontal adjustment.

- The speakers will not be damaged by normal rainfall; however, sprinkler systems may cause damage to the internal audio components. Avoid placing the speakers within direct sprinkler stream areas.
- Clearance around the speaker is required for mounting, connecting, and adjusting the angle of the speaker.
- Take care while selecting the mounting area so that the speakers do not become a trip hazard or an obstacle for landscaping equipment.



Speaker Wire Recommendations

We recommend using high-quality stranded speaker wire. Connect the left and right wires from the AV receiver or amplifier directly to the corresponding left and right binding posts on the speaker.

Use burial-rated wire for all installations. For maximum performance:

- For runs up to 30.48 m (100 ft.), use 16 ga wire or better.
- For runs up to 60.96 m (200 ft.), use 14 ga wire or better.
- For runs up to 91.44 m (300 ft.), use 12 ga wire or better.

You can use smaller wire gauges, but performance degrades depending on gauge and distance. The chart below shows the signal loss that you can expect on a typical run based on gauge and distance.

Wire Gauge	Single Subwoofer	Dual Subwoofers
	21% Power Loss	21% Power Loss
12	189.59 m (622 ft.)	94.79 m (311 ft.)
14	122.83 m (403 ft.)	60.66 m (199 ft.)
16	77.72 m (255 ft.)	39.01 m (128 ft.)
18	59.13 m (194 ft.)	28.04 m (92 ft.)

NOMINAL IMPEDANCE CHART

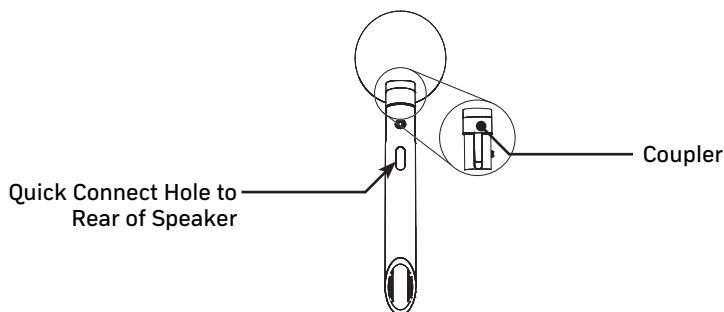
4.1	8 ohm
6.1	6 ohm
8.1	4 ohm
4.2	4 ohm
6.2	3.5 ohm
8.2	3 ohm

NOTE: Following the wiring recommendations for the Terrain system creates a nominal impedance on a standard multichannel or 2-channel amplifier. The chart above outlines the expected impedance per the system configuration.

INSTALLATION

Once you have laid out your plan and marked the positions on the ground, dig the hole for the subwoofer and set it in place.

Couplers come attached to the satellites. Prior to installing the satellite onto the stake, use the provided end cap and place it on top of each stake. Drive the stake into the ground, removing the end cap once the stake is at the proper depth. Note that the Quick Connect hole should be to the rear of the intended aim of the speaker.



⚠ CAUTION: Do not drive the stake into the ground without using a provided end cap.

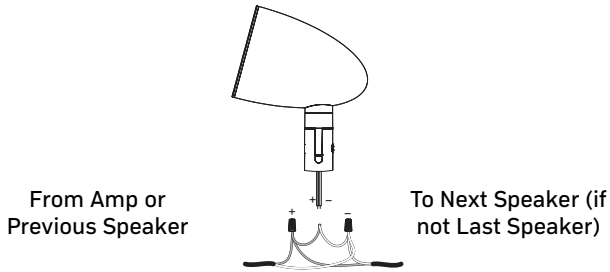
CONNECT

⚠ CAUTION: Do not connect the speaker wire to the amp until all other connections except power have been made.

⚠ CAUTION: Do not supply power to the amplifier until all other connections have been made.

NOTE: The silicone-filled weatherized wire nuts included with this kit are specially designed for direct-burial installations. An equivalent connector must be used for any wiring in the system that is exposed to water or weather.

1. Twist the the source wires to the speaker head wires, then secure them using the weatherproof wire nuts. Silicone may squeeze out of the wire nut during this step; leave this on the wire for the best possible protection.
2. Attach the speaker head to the stake. Ensure that the wires are not crimped, that the wires exit the speaker assembly below ground level, and that the coupler locks into place in the stake.
3. Wire each channel from the amplifier through each channel on the subwoofer. IN/OUT are clearly labeled on the burial sub wire. Up to four satellites can be wired in parallel off each side of the subwoofer matching +/+ and -/- on all satellites.



Burial Subwoofer

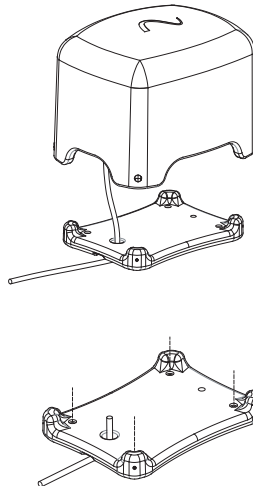
The subwoofer has four input connections. Using the wire nuts, connect both left and right channels to the subwoofer, making sure positive and negative connections are properly made.

Continue down the line and connect the rest of the speakers, then connect the wires to the amplifier.

Ensure your volume is turned to zero. Connect your music source, power the system, and test at various volume settings. Once everything is working properly, fill all the holes and trenches.

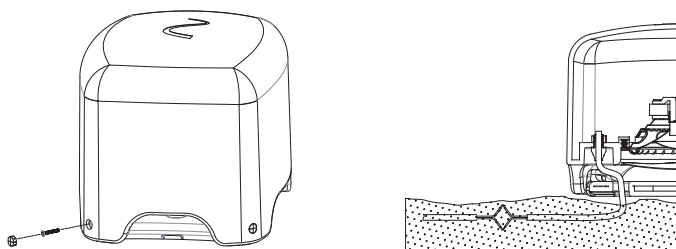
Hardscape Subwoofer

Feed the subwoofer wire through the base plate's wire channel then secure the base plate to the deck/ground/patio using the four existing holes and provided mounting hardware.



The Hardscape subwoofer has four input connections. Using the wire nuts, connect both the left and right channels to the subwoofer, making sure positive and

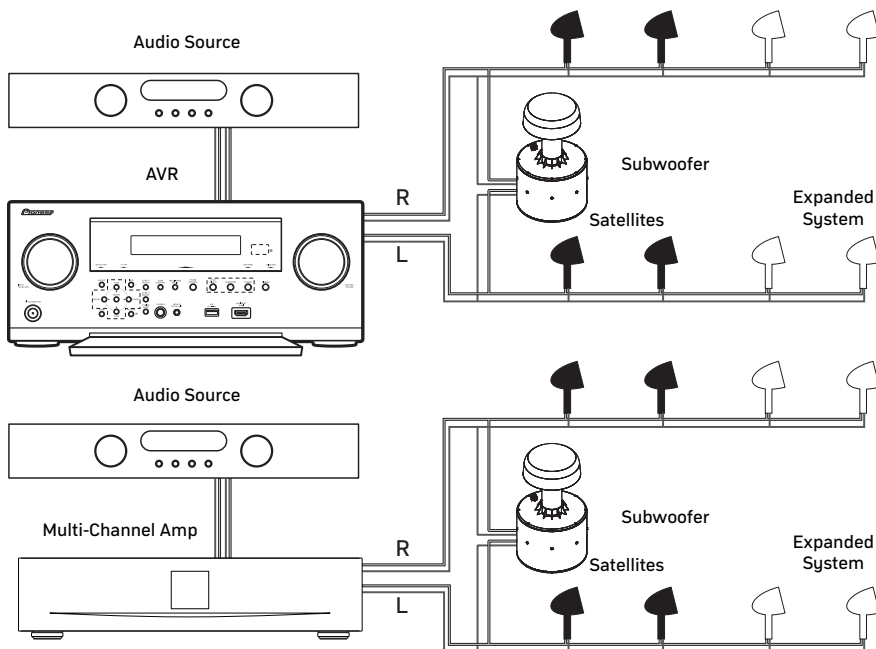
negative connections are properly made. Place the Hardscape subwoofer over the base plate and secure it with the four provided screws. Plug all four holes with the provided rubber plug covers.



Continue down the line and connect the rest of the speakers, then connect the wires to the amplifier.

Ensure your volume is turned to zero. Connect your music source, power the system, and test at various volumes. Once everything is working properly, fill all the holes and trenches.

Wiring Diagram

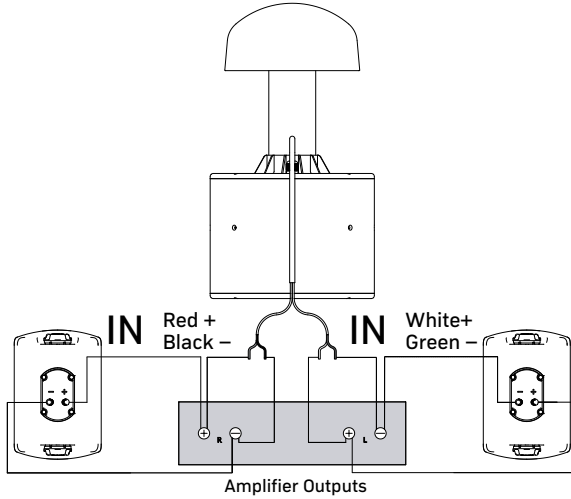




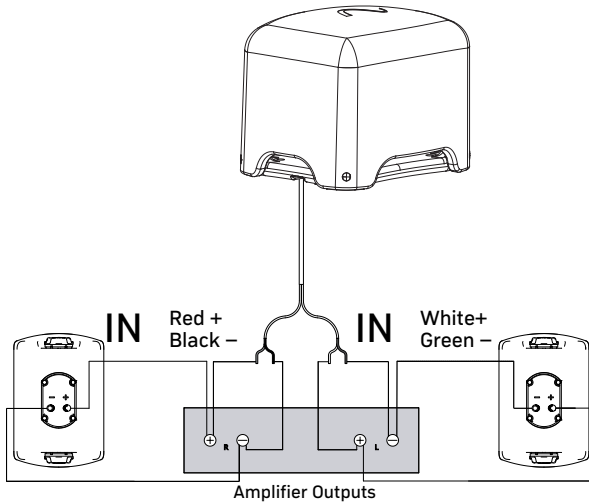
Other Uses for ES-TERRAIN Subwoofers

These DVC subwoofers can be paired with ES-AW-500 Series speakers when wired in the configuration shown below with a 4-ohm-stable amplifier.

Burial Subwoofer



Hardscape Subwoofer



Note: Amplifier must be 4-ohm stable.



TROUBLESHOOTING

Episode speakers are designed to function trouble-free. Most problems that occur are due to simple issues. Refer to the list of fixes below, or contact Tech Support at 866.838.5052 if problems persist.

No Sound

- Verify that there is audio coming from the selected source. Select another source, if necessary to verify.
- Check the volume levels on the amplifier and source(s).
- Check that the proper source is selected on the amplifier or receiver.
- Check all wiring connecting the source(s) to the amplifier are plugged into the correct inputs and outputs.

Poor Sound

- Check audio cables if the sound drops out or if static is present.
- Check volume levels on every component in the system and ensure it does not exceed 80%.



SPECIFICATIONS

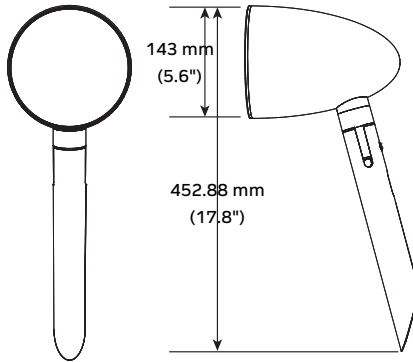
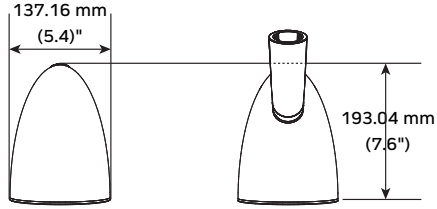
Product	ES-TERRAIN-SYS-4.1	ES-TERRAIN-HSUB-4.1
Package Contents	4 x 4" Satellite Speakers 1 x 8" Subwoofer	4 x 4" Satellite Speakers 1 x 8" Subwoofer
Height	Sat: 452.88 mm (17.83") w/ stake. 143 mm (5.63") w/o stake. Sub: 566.42 mm (22.3")	Sat: 452.88 mm (17.83") w/ stake. 143 mm (5.63") w/o stake. Sub: 302.26 mm (11.9")
Width	Sat: 137.16 mm (5.4") Sub: 314.96 mm (12.4")	Sat: 137.16 mm (5.4") Sub: 403.86 mm (15.8")
Depth	Sat: 193.04 mm (7.6")	Sat: 193.04 mm (7.6") Sub: 327.66 mm (12.9")
Satellite Construction	4" polypropylene cone woofer and 3/4" aluminum dome, ferrofluid-cooled neodymium	4" polypropylene cone woofer and 3/4" aluminum dome, ferrofluid-cooled neodymium
	Outdoor construction - High-strength ABS + glass construction	Outdoor construction - High-strength ABS + glass construction
Subwoofer Construction	Oversized 1.5" high-power dual voice coil, 4-layer per channel on aluminum bobbin	Oversized 1.5" high-power dual voice coil, 4-layer per channel on aluminum bobbin
	Outdoor construction with durable HDPE enclosure	Outdoor construction with durable LLDPE enclosure
Sat Crossover Frequency	125 Hz	125 Hz
Color	Brown	Brown
Coverage Area	278.71 sq. m. (3,000 sq. ft.) (8.1 system)	278.71 sq. m. (3,000 sq. ft.) (8.1 system)
Nominal Impedance	8 ohm	8 ohm
System Frequency Response	35 Hz to 20 kHz +/- 3dB	35 Hz to 20 kHz +/- 3dB
Power RMS	100W	100W
Weight	15.88 kg (35 lb)	127.71 kg (28 lb)



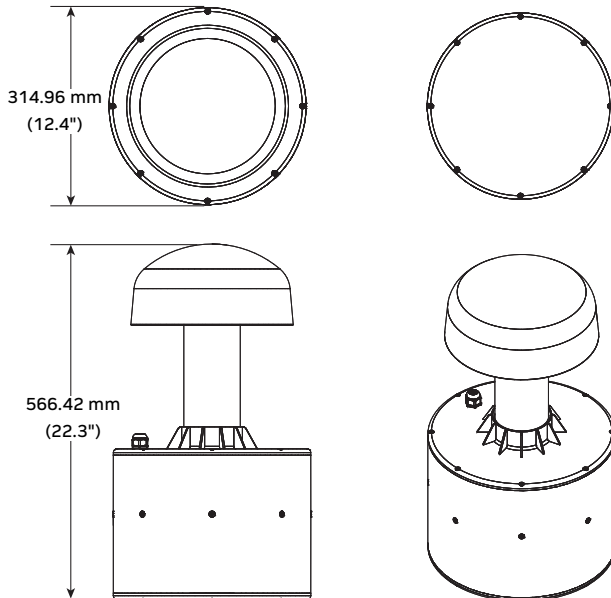
Product	ES-TERRAIN-SAT-2.0	ES-TERRAIN-HSUB	ES-TERRAIN-SUB
Package Contents	2 x 4" Satellite Speakers	1 x 8" Subwoofer	1 x 8" Subwoofer
Height	Sat: 452.88 mm (17.8") w/stake. 143 mm (5.6") w/o stake..	Sub: 302.26 mm (11.9")	Sub: 566.42 mm (22.3")
Width	Sat: 137.16 mm (5.4")	Sub: 403.86 mm (15.9")	Sub: 314.96 mm (12.4")
Depth	Sat: 193.04 mm (7.6")	Sub: 327.66 mm (12.9")	
Satellite Construction	4" polypropylene cone woofer and 3/4" aluminum dome, ferrofluid-cooled neodymium		
	Outdoor construction - High-strength ABS + glass construction		
Subwoofer Construction	Oversized 1.5" high-power dual voice coil, 4-layer per channel on aluminum bobbin	Oversized 1.5" high-power dual voice coil, 4-layer per channel on aluminum bobbin	Oversized 1.5" high-power dual voice coil, 4-layer per channel on aluminum bobbin
	Outdoor construction with durable HDPE enclosure	Outdoor construction with durable LLDP enclosure	Outdoor construction with durable HDPE enclosure
Sat Crossover Frequency	125 Hz		
Color	Brown	Brown	Brown
Coverage Area			
Nominal Impedance		Dual 8 ohm	Dual 8 ohm
System Frequency Response			
Power RMS		100W	100W
Weight	1.36 kg (3 lb)	7.25 kg (16 lb)	10.43 kg (23 lb)

PRODUCT DIMENSIONS

Satellite Speakers

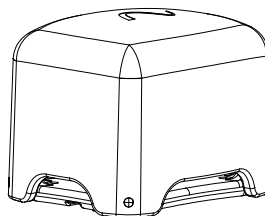
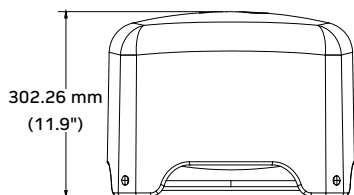
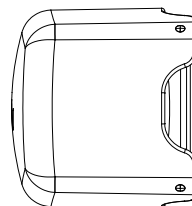
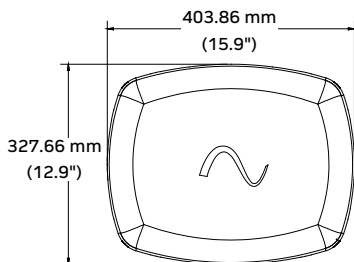


Burial Subwoofer





Hardscape Subwoofer



WARRANTY & REGULATORY

Find details of the product's Limited Warranty and other safety, patent, and legal resources at snapone.com/legal or request a paper copy from Customer Service at **866.424.4489**.

CONTACTING TECHNICAL SUPPORT

For chat and telephone, visit tech.control4.com/s/contactsupport • Email: TechSupport@SnapOne.com. Visit tech.control4.com for discussions, instructional videos, news, and more.

Copyright ©2024, Snap One, LLC. All rights reserved. Snap One and its respective logos are registered trademarks or trademarks of Snap One, LLC (formerly known as Wirepath Home Systems, LLC), in the United States and/or other countries. 4Store, 4Sight, Control4, Control4 My Home, SnapAV, Episode, OvrC, Strong, SunBriteTV, Triad, and WattBox are also registered trademarks or trademarks of Snap One, LLC. Other names and brands may be claimed as the property of their respective owners. Snap One makes no claim that the information contained herein covers all installation scenarios and contingencies, or product use risks. Information within this specification subject to change without notice.

2024240521

200-ES-TERRAIN-SERIES-C