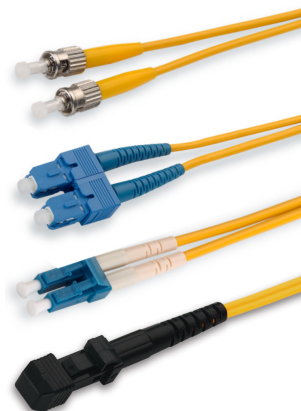


## Singlemode 9- $\mu$ m Optical Fiber Patch Cords

Singlemode optical fiber patch cords can be used as cross-connect jumpers, equipment and work area cords. All Signamax optical fiber patch cords are manufactured using riser-grade (OFNR) cable and are 100% factory tested for insertion and return loss to ensure transmission performance per ANSI/TIA-568-C.3 standard specifications. Patch cords terminated with ST, SC, LC and MT-RJ connectors (uniform and hybrid versions) are available in duplex and simplex designs.

Cordage used in singlemode optical fiber cords is color-coded per ANSI/TIA-598-C – all singlemode cables are yellow in color. Connectors with plastic bodies (SC and LC) are color-coded per ANSI/TIA-568-C.3 – singlemode PC and UPC – blue in color, singlemode APC – green. Marked clips, color rings, or colored connector boots identify each end of the duplex fiber cord to designate Position A and Position B.



### KEY FEATURES

- ST, SC, FC, LC, MT-RJ connectors
- Duplex and simplex versions
- Uniform and hybrid cord versions
- 100% factory transmission tested per ANSI/TIA-568-C.3
- Cordage color coding per ANSI/TIA-598-C
- Plastic body color coding per ANSI/TIA-598-C.3
- Position A/Position B markings
- Slim-profile boots with durable flexible cable strain relief

### ORDERING INFORMATION

#### Singlemode 9- $\mu$ m Optical Fiber Patch Cords

Part Number		Description
<b>Duplex</b>	<b>Simplex</b>	
FCS-2/2-LM	FC9S-2/2-LM	ST-to-ST Singlemode Optical Fiber Patch Cord, UPC
FCS-4/4-LM	FC9S-4/4-LM	SC-to-SC Singlemode Optical Fiber Patch Cord, UPC
FCS-4/2-LM	FC9S-4/2-LM	SC-to-ST Singlemode Optical Fiber Patch Cord, UPC
FCS-9/9-LM	FC9S-9/9-LM	LC-to-LC Singlemode Optical Fiber Patch Cord, UPC
FCS-9/2-LM	FC9S-9/2-LM	LC-to-ST Singlemode Optical Fiber Patch Cord, UPC
FCS-9/4-LM	FC9S-9/4-LM	LC-to-SC Singlemode Optical Fiber Patch Cord, UPC
FCS-8/8-LM		MT-RJ-to-MT-RJ Singlemode Optical Fiber Patch Cord
FCS-8/2-LM		MT-RJ-to-ST Singlemode Optical Fiber Patch Cord
FCS-8/4-LM		MT-RJ-to-SC Singlemode Optical Fiber Patch Cord

For length substitute L in P/N: 1=1 Meter, 2=2 Meters, 3=3 Meters, 5=5 Meters, 7=7 Meters. Other lengths are available. Cable diameter for ST and SC cords is 3.0 mm. All other connectors cable diameter is 1.8 mm.

#### Singlemode 9- $\mu$ m Optical Fiber Patch Cord Configurator

FIBER CORD	CABLE TYPE	FIBER TYPE	JACKET TYPE	CABLE DIA.	CONNECTOR END 1	CONNECTOR END 2	LENGTH	UNIT OF MEASURE
FC	X	X	X	X	X	X	XXX	X
	D: duplex S: simplex	9: OM1	R: OFNR P: OFNP	1: 1.8 mm 3: 3.0 mm	2: ST/UPC 4: SC 4A: SC/APC 5: FC/UPC 5A: FC/APC 9: LC/UPC 9A: LC/APC 8: MT-RJ	2: ST/UPC 4: SC 4A: SC/APC 5: FC/UPC 5A: FC/APC 9: LC/UPC 9A: LC/APC 8: MT-RJ	001-999	F: feet M: meters

## Singlemode 9- $\mu$ m Optical Fiber Patch Cords

### SPECIFICATIONS

- TRANSMISSION PERFORMANCE**

ANSI/TIA/EIA-568-C.3: insertion and return loss (100% tested)

- TRANSMISSION MEDIA**

Optical fiber: 9/125- $\mu$ m singlemode (OS1) optical fiber

- CONNECTOR TYPES**

Connector type: ST/SC/LC/FC/MT-RJ UPC singlemode  
ST/SC/LC/FC APC singlemode  
FOCIS (ANSI/TIA/EIA-604) compliant

- CONSTRUCTION**

– simplex or duplex fiber cordage  
– thermoplastic outer jacket (OFNR-rated)  
– thermoplastic strain relief

- TRANSMISSION PERFORMANCE**

Return loss: UPC:  $\leq -50$  dB  
APC:  $\leq -60$  dB  
Insertion loss: ST, SC, LC, FC: typical  $-0.2$  dB, max  $-0.3$  dB  
MT-RJ: typical  $-0.3$  dB, max  $-0.5$  dB

- MECHANICAL**

Connector ferrule: ceramic  
Apex offset:  $< 50$   $\mu$ m  
End-face radius of curvature: 10 mm (0.39 in)  $< R < 30$  mm (1.18 in)  
Cable material: PVC OFNR  
Cable jacket color: yellow

- ENVIRONMENTAL**

Operation temperature:  $-20$  °C to  $+70$  °C ( $-4$  °F to  $+158$  °F)  
Storage temperature:  $-40$  °C to  $+80$  °C ( $-40$  °F to  $+176$  °F)  
Humidity: 95 %RH (non-condensing)

- COMPLIANCE**

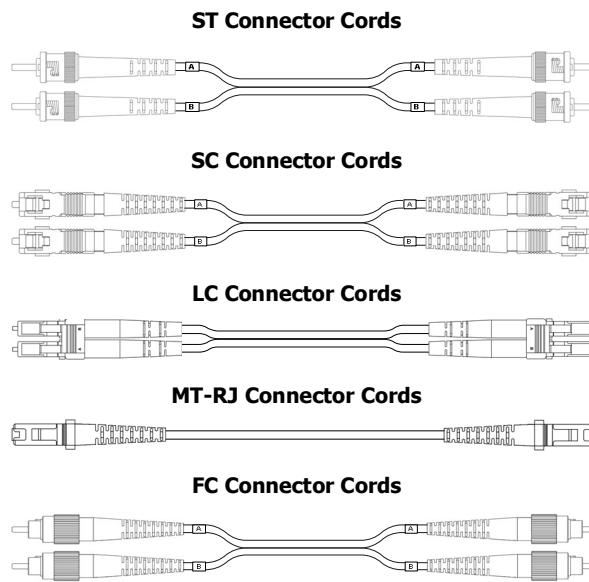
ANSI/TIA-568-C.3, ISO/IEC 11801 2<sup>nd</sup> Ed., CENELEC EN 50173, UL94V-0

- APPLICATIONS**

FDDI SMF-PMD ANSI X3.184	1000BASE-LX	10GBASE-LX4	Fibre Channel 100-SM-LC-L
		10GBASE-L	Fibre Channel 200-SM-LC-L
			Fibre Channel 400-SM-LC-L
			Fibre Channel 1200-SM-LL-L

- WARRANTY**

5-year limited component warranty  
10-year Signamax Link/Channel Warranty  
15-year Signamax Extended Component Warranty  
25-year Signamax Cabling System Warranty



### RELATED PRODUCTS

Product/Product Group	Spec Sheet #
Rack Mount Optical Fiber Enclosures	PSS.RM-OFE (B-AUG-09)
Wall Mount Fiber Optic Enclosures	PSS.WM-FOE (A-AUG-07)
Multimode 62.5- $\mu$ m (OM1) Optical Fiber Patch Cords	PSS.OM2-OFPC (A-SEP-09)
Multimode 50- $\mu$ m (OM2) Optical Fiber Patch Cords	PSS.OM2-OFPC (A-SEP-09)
10G LO Multimode 50- $\mu$ m (OM3) Optical Fiber Patch Cords	PSS.OM3-OFPC (A-SEP-09)
Optical Fiber Keystone Connector Modules	PSS.OF-K-CM (A-AUG-09)