



Camera Models:

SPDE8-2X30-ID0
SPDE8-4X30-ID0

SPDE8-2X30-PD0
SPDE8-4X30-PD0

Document number: C6763M

Publication date: 7/2024

Legal Notices

© 2024, Pelco Corporation. All rights reserved. PELCO, the PELCO logo, PELCO are trademarks of Pelco Corporation. ONVIF is a trademark of Onvif, Inc. Covered by one or more claims of the patents listed at patentlist.hevcadvance.com. Other names or logos mentioned herein may be the trademarks of their respective owners. The absence of the symbols ™ and ® in proximity to each trademark in this document or at all is not a disclaimer of ownership of the related trademark. Pelco Corporation protects its innovations with patents issued in the United States of America and other jurisdictions worldwide (see www.pelco.com). Unless stated explicitly and in writing, no license is granted with respect to any copyright, industrial design, trademark, patent or other intellectual property rights of Pelco Corporation or its licensors.

Disclaimer

This document has been compiled and published using product descriptions and specifications available at the time of publication. The contents of this document and the specifications of the products discussed herein are subject to change without notice. Pelco Corporation reserves the right to make any such changes without notice. Neither Pelco Corporation nor any of its affiliated companies: (1) guarantees the completeness or accuracy of the information contained in this document; or (2) is responsible for your use of, or reliance on, the information. Pelco Corporation shall not be responsible for any losses or damages (including consequential damages) caused by reliance on the information presented herein.

Pelco Corporation

www.pelco.com

C6763M

Revision: 1 - EN

20240725

Table of Contents

Important Safety Information	5
Regulatory Notices	7
For Korea	8
Disposal and Recycling Information	8
Overview	9
In-Ceiling Back Box (Top View)	9
Pendant Back Box (Top View)	10
Dome Drive	11
Back Box (Bottom View)	12
Camera Lower Dome	13
Pendant Wall Mount	14
NPT Mount View	15
In-Ceiling Mount Installation	16
Required Tools and Materials	16
Camera Package Contents	16
Installation Steps	16
Installing the In-Ceiling Back Box	17
Installing the Dome Drive into the Back Box (In-Ceiling)	21
Installing the Dome Cover (In-Ceiling)	22
Pendant Mount Installation	24
Required Tools and Materials	24
Package Contents	24
Installation Steps	25
(Optional) Mounting the Dome Camera to the Pendant Wall Mount	26
Installing the Dome Drive to the Back Box (Pendant)	30
Installing the Dome Cover (Pendant)	32
Mounting the Dome Camera to a Pipe	33
Cable Connections	35
Connecting to Power and External Devices	35
Seamless Failover	35
External Devices Connection	36
Connecting to the Camera	38
Initializing a Camera Username and Password	38
Assigning an IP Address	38
Accessing the Live Video Stream	39

Spectra Enhanced 8 PTZ Camera Cameras Installation Manual

(Optional) Configuring microSD Card Storage	40
Configuring the Camera	40
Focusing the Camera	41
Connection Status LED Indicator	42
Troubleshooting Network Connections and LED Behavior	42
Resetting to Factory Default Settings	44
Cleaning	45
Dome Bubble	45
Body	45
For More Information	46
Limited Warranty and Technical Support	47
Pelco Troubleshooting Contact Information	48

Important Safety Information

This manual provides installation and operation information and precautions for the use of this device. Incorrect installation could cause an unexpected fault. Before installing this equipment read this manual carefully. Please provide this manual to the owner of the equipment for future reference.



WARNING

This Warning symbol indicates the presence of dangerous voltage within and outside the product enclosure that may result in a risk of electric shock, serious injury or death to persons if proper precautions are not followed.



CAUTION

This Caution symbol alerts the user to the presence of hazards that may cause minor or moderate injury to persons, damage to property or damage to the product itself if proper precautions are not followed.



WARNING

Failure to observe the following instructions may result in severe injury or death.

- Installation must be performed by qualified personnel only, and must conform to all local codes.
- ESD to the camera when it is operating could cause a temporary loss of video. When servicing the camera, follow the appropriate ESD mitigation procedures. The operator should remove any static by grounding themselves before servicing the camera.
- This product is intended to be supplied by a UL Listed Power Unit marked “Class 2” or “LPS” or “Limited Power Source” with output rated:
 - In-Ceiling Mount: 24 VAC \pm 10% 55VA, or 24 VDC \pm 10% 35W, or 25.5 W PoE+ IEEE 802.3 at Type 2, Class 4 compliant.
 - Pendant Mount: 24 VAC \pm 10%, 85VA or 24 VDC \pm 10% 70W, or IEEE 802.3at Type 2, Class 4 compliant, or IEEE802.3bt Type 3, Class 6 compliant, or IEEE802.3bt Type 4, Class 8 compliant* (*Using anything less than a Type 4, Class 8 PSE will result in reduced environmental and pan/tilt speed specifications).
- Do not connect directly to mains power for any reason.



CAUTION

Failure to observe the following instructions may result in injury to persons or damage to the device.

- Do not expose the camera directly to high levels of x-ray, laser, or UV radiation. Direct exposure may cause permanent damage to the image sensor.
- Do not install near any heat sources such as radiators, heat registers, stoves, or other sources of heat.
- Do not subject the device cables to excessive stress, heavy loads or pinching.
- Do not open or disassemble the device. There are no user serviceable parts.
- Refer all device servicing to qualified personnel. Servicing may be required when the device has been damaged (such as from a liquid spill or fallen objects), has been exposed to rain or moisture, does not operate normally, or has been dropped.
- Do not use strong or abrasive detergents when cleaning the device body.
- Use only accessories recommended by Pelco.

Regulatory Notices

This device complies with part 15 of the FCC Rules. Operation is subject to the following two conditions: (1) this device may not cause harmful interference, and (2) this device must accept any interference received, including interference that may cause undesired operation.

This Class A digital apparatus complies with Canadian ICES-003 (A)/NMB-3(A).

This equipment has been tested and found to comply with the limits for a Class A digital device, pursuant to part 15 of the FCC Rules. These limits are designed to provide reasonable protection against harmful interference when the equipment is operated in a commercial environment. This equipment generates, uses, and can radiate radio frequency energy and, if not installed and used in accordance with the instruction manual, may cause harmful interference to radio communications. Operation of this equipment in a residential area is likely to cause harmful interference in which case the user will be required to correct the interference at his own expense.

Changes or modifications made to this equipment not expressly approved by Pelco Corporation or parties authorized by Pelco Corporation could void the user's authority to operate this equipment.

To meet the requirements of the EN 50121-4 Railway Applications Standard, use an external power supply or POE injector that is also compliant with EN 50121-4. Please contact Pelco for assistance regarding supporting equipment.

To meet the requirements of the EN 50130-4 Alarm Systems Applications standard, use an external uninterruptible power supply (UPS).

This equipment contains a coin cell battery. Risk of fire, explosion, and burns. Do not disassemble, crush, heat above 100°C (212°F), or incinerate.

The use of EMC compliant support and auxiliary equipment with this device is required in order to fully comply with the EMC regulatory standards.

Spectra Enhanced 8 PTZ Camera Cameras Installation Manual

UK Product Security and Telecommunications Infrastructure (PSTI) Act: Pelco cameras comply with the PSTI requirements. For more information, see the published [PSTI Statement of Compliance](#).

For Korea

이 기기는 가정용(B급) 전자파적합기기로서 주로 가정에서 사용하는 것을 목적으로 하며, 모든 지역에서 사용할 수 있습니다.

Disposal and Recycling Information

When this product has reached the end of its useful life, please dispose of it according to your local environmental laws and guidelines.

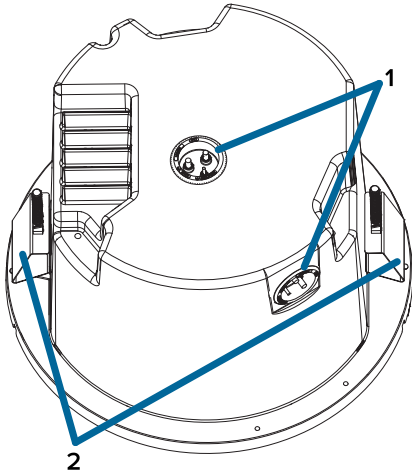
European Union:



This symbol means that according to local laws and regulations your product should be disposed of separately from household waste. When this product reaches its end of life, take it to a collection point designated by local authorities. Some collection points accept products for free. The separate collection and recycling of your product at the time of disposal will help conserve natural resources and ensure that it is recycled in a manner that protects human health and the environment.

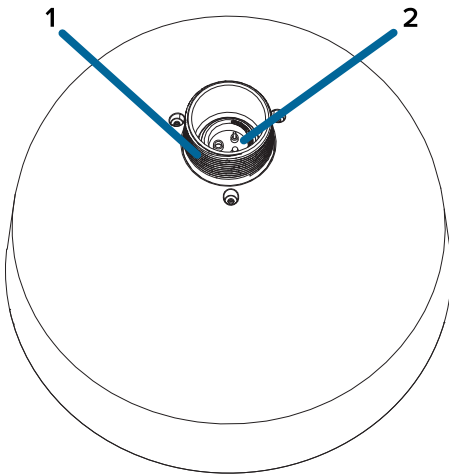
Overview

In-Ceiling Back Box (Top View)



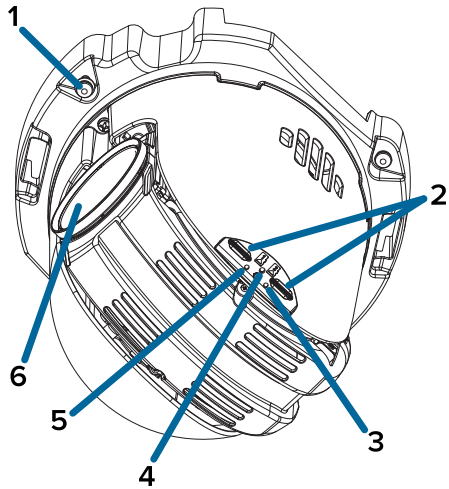
1. **Grommets**
Provide weatherproofing and protection around the cables that pass through the back box.
2. **Spring Clips**
Spring loaded clips that secure the camera to the ceiling tile.

Pendant Back Box (Top View)



- 1. NPT Thread**
1 1/2-inch NPT thread included in the back box for attaching to camera mounts.
- 2. Grommet**
Provides weatherproofing and protection around the cables that pass through the camera housing.

Dome Drive



1. Tamper Resistant Screws

Captive screws to fix the dome drive to the back box.

2. microSD Card Slots

Accepts up to two microSD cards for onboard storage. Install microSD cards so the metal contacts are facing inward. For more information, see [\(Optional\) Configuring microSD Card Storage on page 40](#).

3. Link LED Indicator

Amber LED indicates if there is an active connection in the Ethernet port, and that the device is receiving power.

4. Firmware Revert Button

Use the firmware revert button to reset the device.

5. Connection Status LED Indicator

Green LED provides information about device operation. For more information, see [Connection Status LED Indicator on page 42](#).

6. Lens

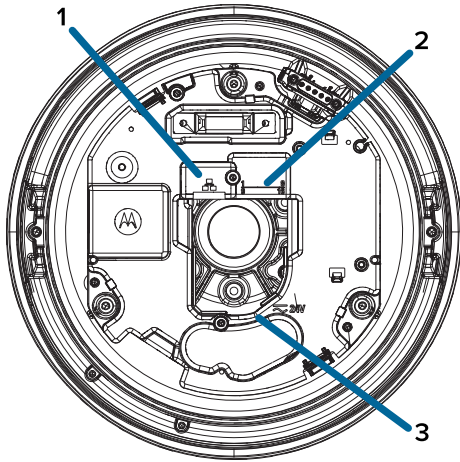
The camera lens is housed behind a protective window.



NOTE

The camera LEDs will flash and provide status information when the camera is establishing a network connection. Once the camera starts streaming video, the LEDs will automatically turn off.

Back Box (Bottom View)



1. Ethernet port

Connects the camera to the IP network and supplies power to the camera through the network using Power over Ethernet 802.3bt or 802.3at for indoor models only and ambient temperatures above -10°C.

2. Alarm, Relay, and Audio In/Out

An 16-pin connector with four alarms, two relay, and audio in and out. Use a 24 ~ 30AWG multi conductor cable. For more information, see [Connecting to Power and External Devices on page 35](#).

3. Power Terminal

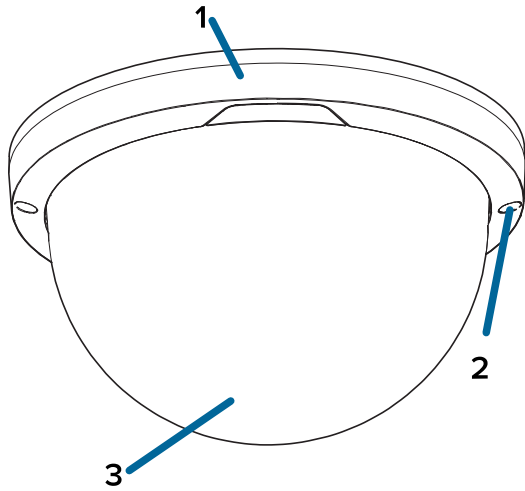
The port is used to connect with a 24 VAC power supply. Use 16 to 20 AWG gage wire.



NOTE

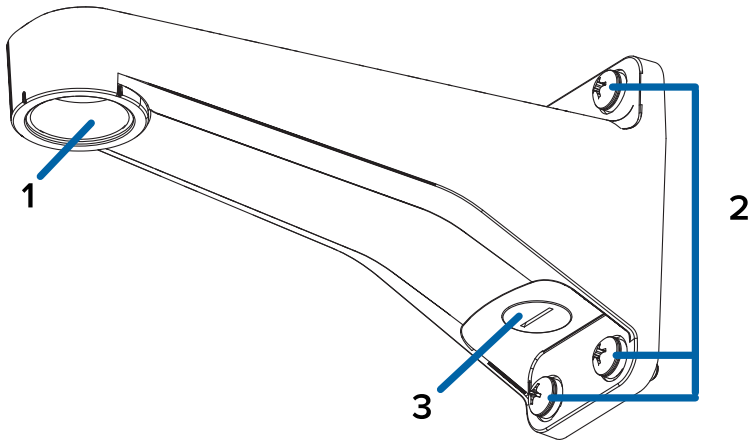
There is no polarity for the power connection.

Camera Lower Dome



- 1. Trim ring**
Protective ring attached to the lower part of the camera's dome housing.
- 2. Tamper resistant screws**
Star-shaped captive screws to fix the dome cover to the base.
- 3. Dome cover**
Vandal resistant dome cover.

Pendant Wall Mount



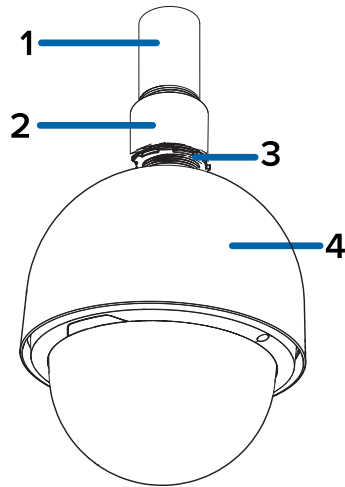
1. **1-1/2" NPS thread mount**
Female NPS thread mount for pendant camera installations.
2. **Pendant wall mount screws**
Screws (user supplied) for securing the pendant wall mount to the mounting bracket.
3. **NPT pipe entry hole**
A 3/4" NPT threaded hole for NPT pipe conduits.



NOTE

The pendant wall mount is sold separately.

NPT Mount View



- 1. NPT Pipe**
NPT pipe for mounting camera.
- 2. 1-1/2" NPT female to NPT-female adapter**
An adapter for attaching the pendant back box to an NPT pipe.
- 3. Lock nut**
Locking nut for securing the pendant back box on the NPT-female to NPT-female adapter.
- 4. Pendant mount camera**
Pendant mount camera.



NOTE

The NPT pipe and the 1-1/2" NPT-female to 1-1/2" NPT-female adapter is not supplied or sold by Pelco and should be sourced separately.

In-Ceiling Mount Installation

Required Tools and Materials

The following tools are required to complete the installation but are not included in the package:

- Appropriate tool for cutting the entry hole in the mounting surface
- Power drill that can be used as a screwdriver
- Cat 5e (or higher) ethernet cable
- RJ-45 connector to terminate the ethernet cable if not already terminated
- RJ-45 Crimp Tool
- Mini or precision flat head screw driver (optional)
- 24-30 AWG, up to 16 multi conductor cable for alarms, relays, and/or audio (optional)
- 16-20 AWG, 2 conductor cable for 24V auxiliary power (optional)
- One or two Micro SD card capable of a minimum write speed of 10 MB/sec is recommended for recording HD video (optional)
- 3/4" Conduit fittings and pipe (optional)

Camera Package Contents

Ensure the dome camera package contains the following:

- Spectra Enhanced 8 PTZ Camera
 - In-Ceiling Back box
 - Lower Dome (includes trim ring and bubble)
 - Dome Drive
 - 16-pin terminal block
 - 2-pin terminal block
 - Power Bit Pin-In-Torx T20
 - Grommet
 - Grommet piercing tool for RJ-45 connector
 - Mounting template
 - In-Ceiling Quick Start Guide

Installation Steps

Installing the In-Ceiling Back Box



NOTE

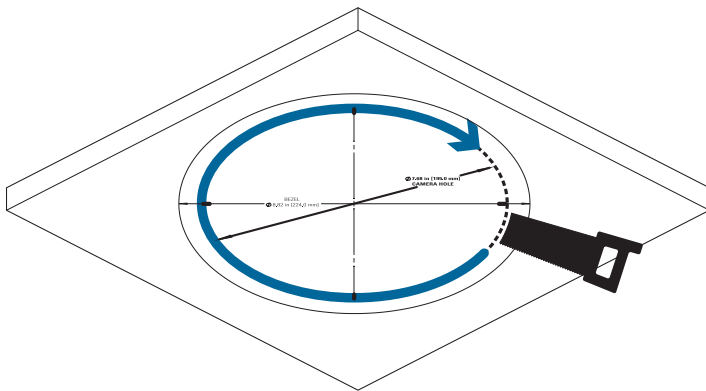
All protective packaging must be removed from the outside of the in-ceiling back box prior to beginning installation.



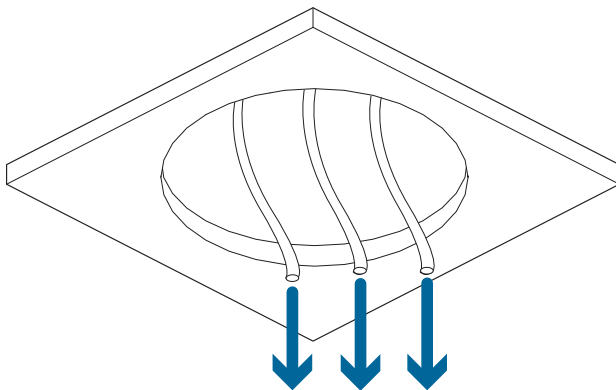
NOTE

The maximum supported ceiling thickness is 38.1 mm (1.5").

1. Use the in-ceiling mounting template to cut an entry hole for the camera into the ceiling.

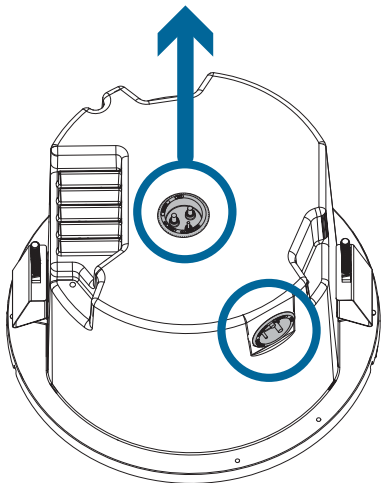


2. Pull the cables through the mounting surface. There will be three cables total. One Ethernet Cable with RJ45, a pair of power cables with stripped leads for 24 VAC/DC applications, and a 1~16 multi-wire cable bundle.

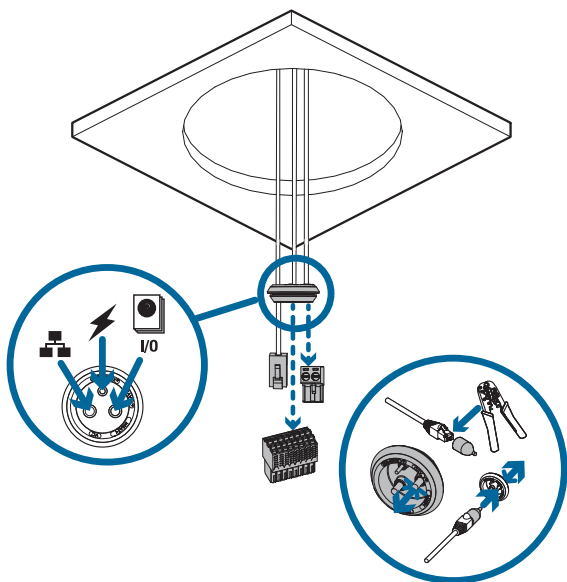


Spectra Enhanced 8 PTZ Camera Cameras Installation Manual

3. Remove a grommet in the back box to feed the cables through. Choose the top or side grommet option. Optional: Grommet(s) can be replaced with 3/4" conduit fittings and pipe (not supplied) for routing of the cables.



4. First, feed the RJ45 cable through the grommet with the supplied insertion tool. The RJ45 cable has to be the first cable fed through the grommet.
 - a. Two of the grommet holes are the same size and the third is different. Use the third, or smallest, hole for the power cable.
 - b. Use the other two holes for either of the other two cables (e.g. The Ethernet cable can go into either one of the two holes that are the same size.)
 - c. Feed an already terminated Ethernet cable through the grommet using the supplied insertion tool.

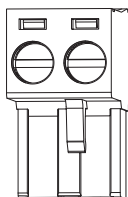




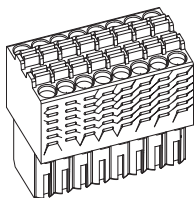
NOTE

If the insertion tool is not used, then the Ethernet cable needs to be terminated with an RJ45 connector (not supplied) after being passed through the grommet.

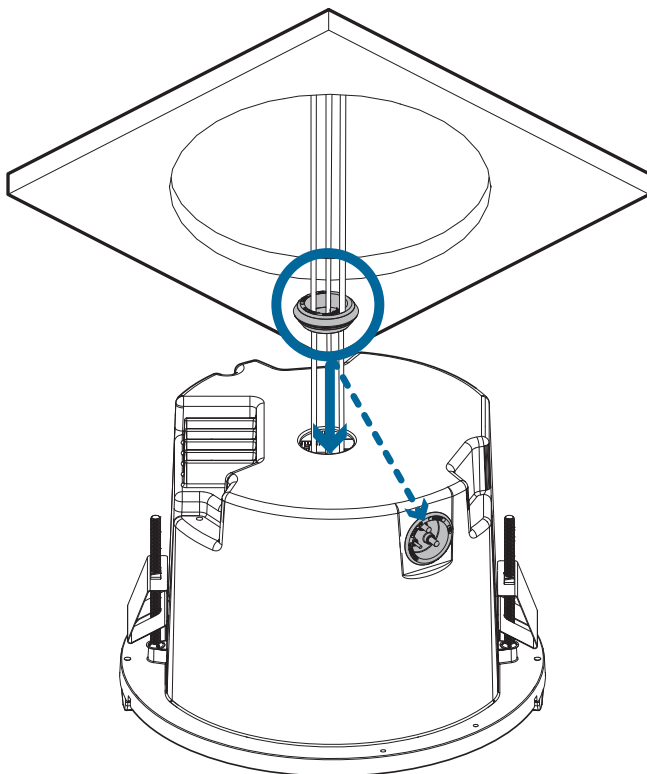
5. Terminate the pair of power cables to the supplied, two-pin, removable header with screw down terminals.



6. Terminate the 1~16 multi-wire cable bundle to the supplied 16-pin removable header with push-in terminals. For more information, see [Connecting to Power and External Devices on page 35](#).

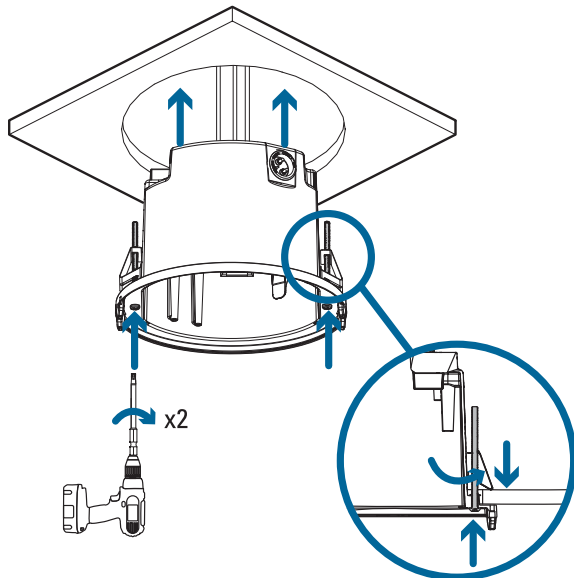


7. Once all of the cables are terminated (after being fed through the grommet), feed that entire bundle through the back box and seat the grommet.

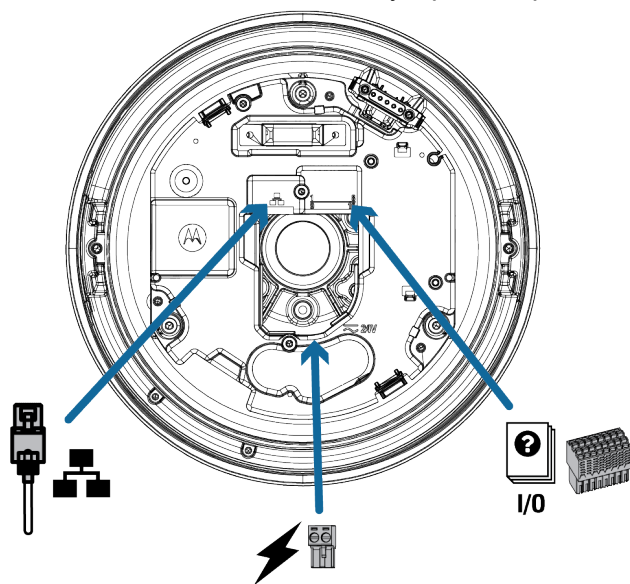


Spectra Enhanced 8 PTZ Camera Cameras Installation Manual

8. Push the back box (with grommet and cables attached), into the ceiling hole. Secure the back box in the ceiling using the two spring clips. Tighten the two screws using the supplied power bit and a power driver or drill.



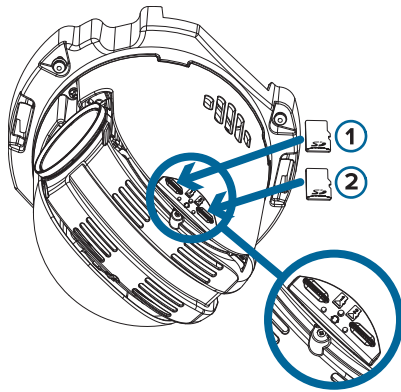
9. Connect the cables to the power supply board's (PCB's) printed circuit board assembly (PCBA) inside the bottom of the back box.
 - a. Connect the cable for network/PoE or network. The connector on the camera is a RJ45.
 - b. Connect the cable for auxiliary power.
 - c. Connect the cable for the auxiliary Inputs/Outputs/Audio.



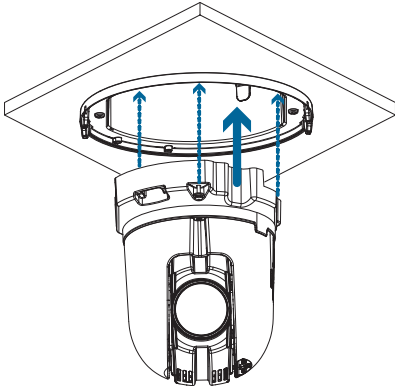
Installing the Dome Drive into the Back Box (In-Ceiling)

After you install the back box, mount the dome drive to the back box.

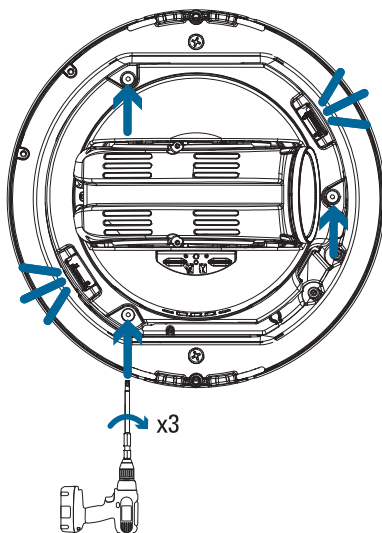
1. Insert one or two SD cards in the slots in the dome drive. For more information, see the [\(Optional\) Configuring microSD Card Storage on page 40](#).



2. Lift the dome drive into the back box.



3. Snap the dome drive into the back box and secure it by fastening the three screws.



Installing the Dome Cover (In-Ceiling)



NOTE

Before installing the dome cover, we recommend that you first connect to the camera. For more information, see:

- [Connecting to the Camera on page 38](#)

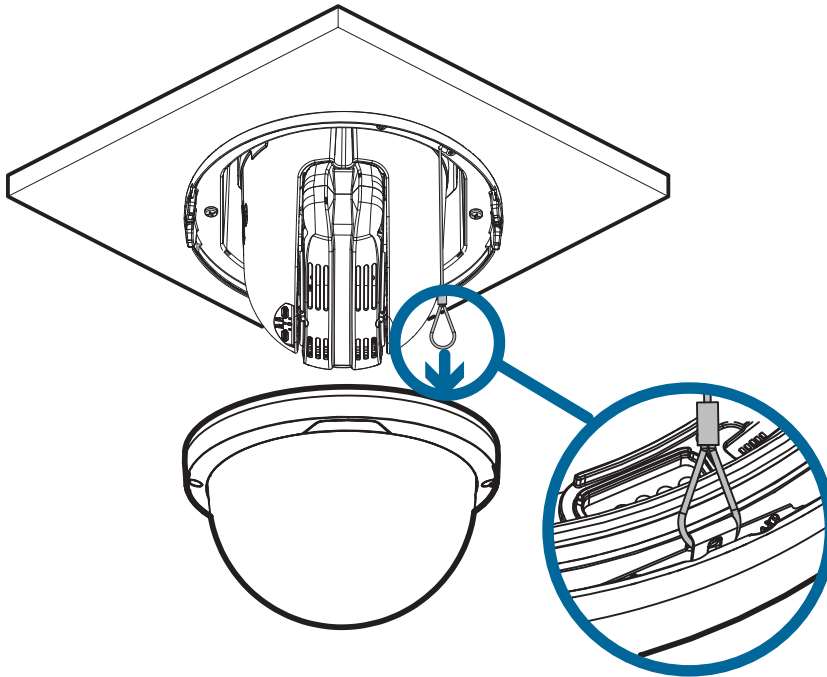


NOTE

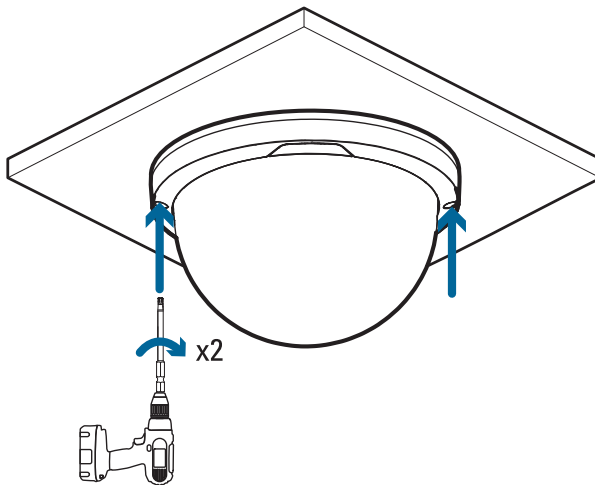
Be careful not to scratch the dome bubble. Do not remove the protective film until after installation.

Spectra Enhanced 8 PTZ Camera Cameras Installation Manual

1. Attach the lanyard to secure the lower dome. There is a post on the back box that the lanyard is bolted to.



2. Hold the lower dome in place and fasten the two screws to secure it. The lower dome has captive screws, so they will hang from the trim ring, but they will not fall off.



3. Remove the protective cover on the outside of the dome bubble.

Pendant Mount Installation

Required Tools and Materials

The following tools and materials are required to complete the installation but are not included in the package:

- Appropriate tool for cutting the entry hole in the mounting surface
- Power drill that can be used as a screwdriver
- Tongue and groove pliers
- Cat 5e (or higher) ethernet cable
- RJ-45 connector to terminate the ethernet cable if not already terminated
- RJ-45 Crimp Tool
- Mini or precision flat head screw driver (optional)
- 24-30 AWG, up to 16 multi conductor cable for alarms, relays, and/or audio (optional)
- 16-20 AWG, 2 conductor cable for 24V auxiliary power (optional)
- One or two Micro SD card capable of a minimum write speed of 10 MB/sec is recommended for recording HD video (optional)
- 1-1/2" NPT Female to 1-1/2" NPT Female adapter and 1-1/2" conduit/pipe (optional)
- 3/4" NPT Conduit fitting and pipe (optional)
- Four 5/16" to 3/8" (M8 to M10) diameter fasteners appropriate for the wall mounting substrate. The type of screw, material, and length is dependent on the substrate and the environment and should be selected to support a minimum of 60lbs (30kg). (optional)

Package Contents

Ensure the dome camera package contains the following:

- Pelco Spectra Enhanced 8 PTZ Camera
 - Pendant Back box
 - Lower Dome (includes trim ring and bubble)
 - Dome Drive
 - 16-pin terminal block
 - 2-pin terminal block
 - Power Bit Pin-In-Torx T20
 - Grommet
 - Grommet piercing tool for RJ-45 connector

Spectra Enhanced 8 PTZ Camera Cameras Installation Manual

- Lock nut
- Teflon tape
- Pendant Quick Start Guide

For Installation to the Pendant Wall Mount, the following additional items are required (purchased separately):

- Pendant Wall Mount (WLMT-1031 or WLMT-1021)
- Wall Mount mounting template

For Installation to a Pipe, the following user supplied items are required:

- 1-1/2" NPT-female to 1-1/2" NPT-female adapter
- 1-1/2" Conduit or Pipe



IMPORTANT

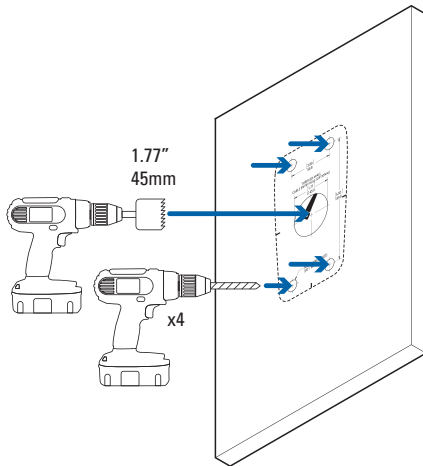
These items are not supplied by Pelco and should be sourced separately.

Installation Steps

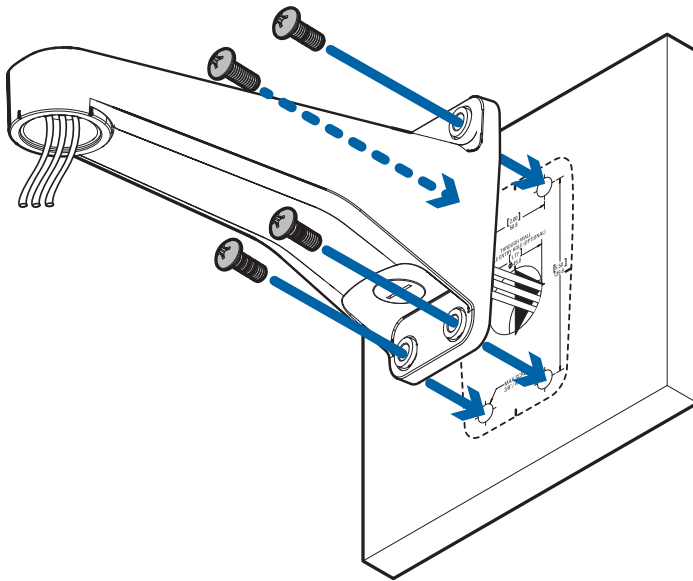
(Optional) Mounting the Dome Camera to the Pendant Wall Mount

If the dome camera will be using the pendant wall mount, you will need to attach it to the pendant back box.

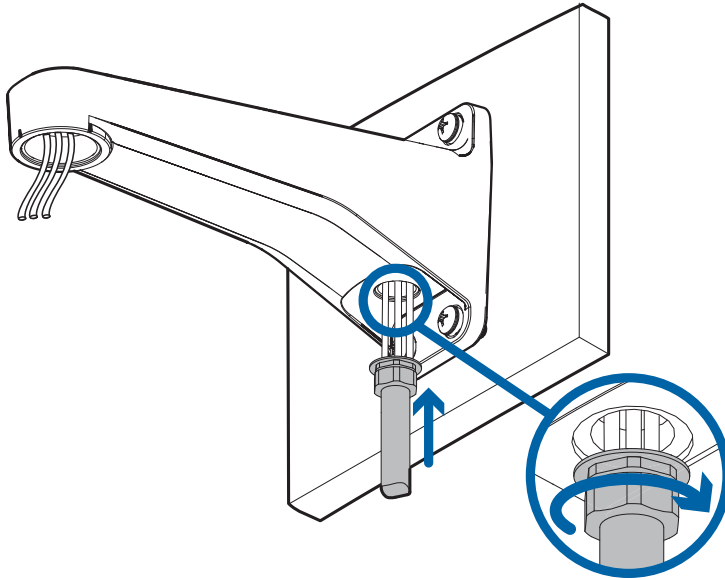
1. Determine where the cables will enter the pendant wall mount.
 - If the cables will be pulled from inside the mounting surface, use the cable entry hole at the rear of the pendant wall mount.
 - If the cables will be coming out of an external conduit pipe, use the 3/4" NPT pipe entry hole on the bottom of the pendant wall mount.
2. Use the provided mounting template to drill four mounting holes into the mounting surface.
 - If you are using the rear cable entry hole, also drill the cable entry hole into the mounting surface.



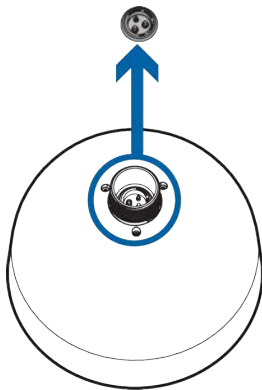
3. Place the pendant wall mount on the mounting surface and screw it in using the user supplied screws. Pull cables through the wall mount if using rear cable entry.



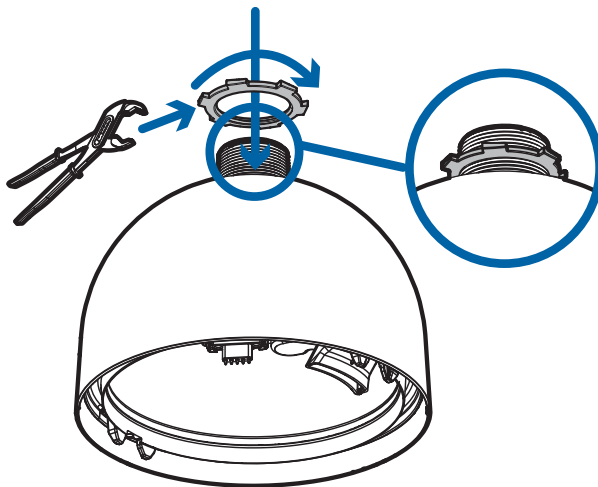
4. If you are using the pipe entry hole, pull the cables through the pipe conduit then the wall mount. Next, apply thread seal tape to the pipe conduit and screw it into the pipe entry hole.



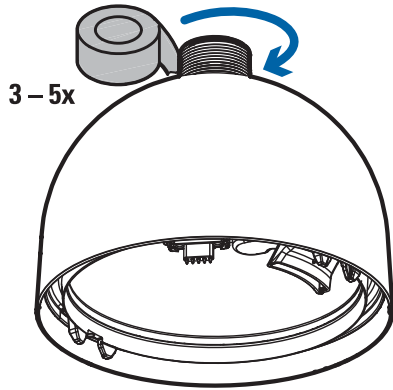
5. Remove a grommet in the back box to feed the cables through.



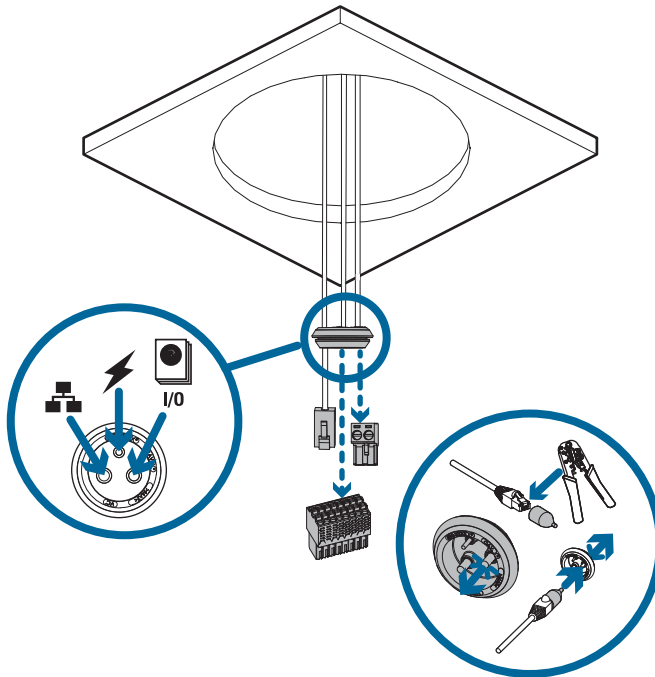
6. Screw the locknut into the back box. Tighten the locknut using tongue and groove pliers.



7. Apply the supplied Teflon tape to the threads in the back box.



8. First, feed the RJ45 cable through the grommet with the supplied insertion tool. The RJ45 cable has to be the first cable fed through the grommet.
 - a. Two of the grommet holes are the same size and the third is different. Use the third, or smallest, hole for the power cable.
 - b. Use the other two holes for either of the other two cables (e.g. The Ethernet cable can go into either one of the two holes that are the same size.).
 - c. Feed an already terminated Ethernet cable through the grommet using the supplied insertion tool.

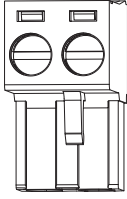


NOTE

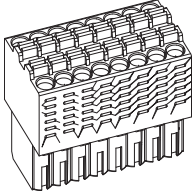
If the insertion tool is not used, then the Ethernet cable needs to be terminated with an RJ45 connector (not supplied) after being passed through the grommet.

Spectra Enhanced 8 PTZ Camera Cameras Installation Manual

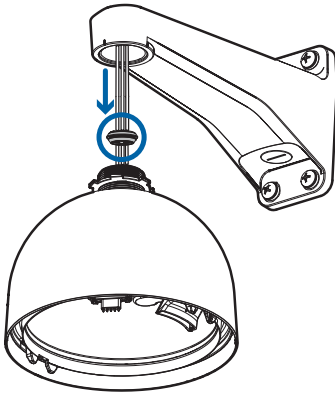
9. Terminate the pair of power cables to the supplied, two-pin, removable header with screw down terminals.



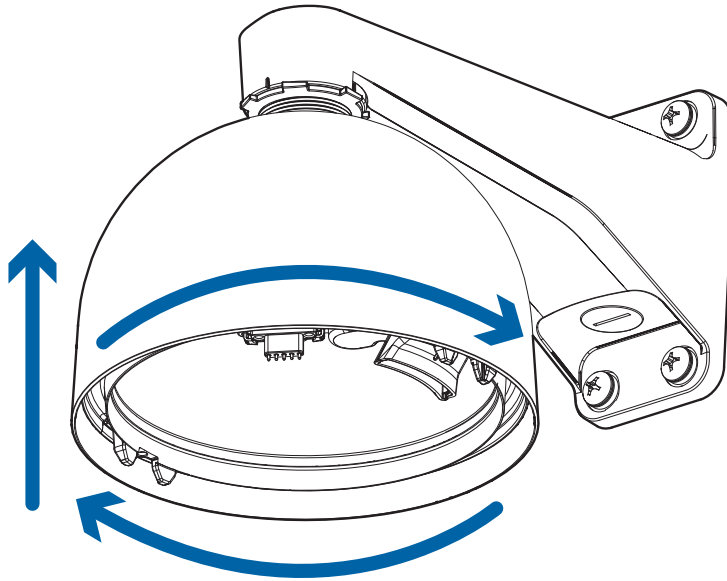
10. Terminate the 1~16 multi-wire cable bundle to the supplied 16-pin removable header with push-in terminals. For more information, see [Connecting to Power and External Devices on page 35](#).



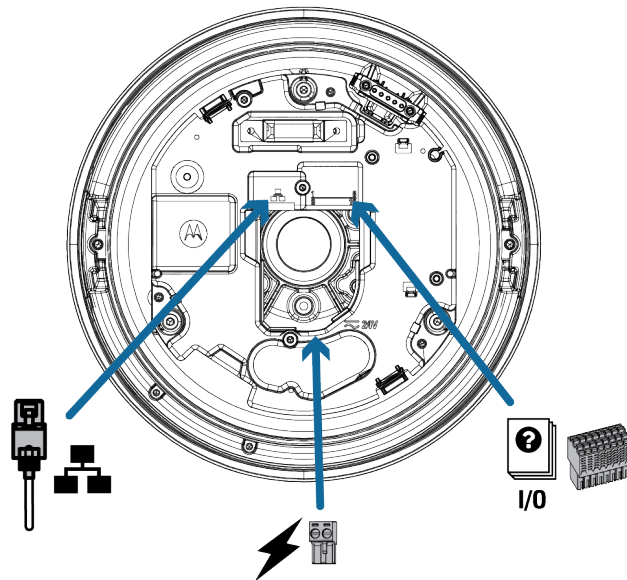
11. Once all of the cables are terminated (after being fed through the grommet), feed that entire bundle through the back box and seat the grommet.



12. Screw the pendant back box into the wall arm and tighten.



13. Connect the cables to the power supply board's (PCB's) printed circuit board assembly (PCBA) inside the bottom of the back box.
 - a. Connect the cable for network/PoE or network. The connector on the camera is a RJ45.
 - b. Connect the cable for auxiliary power.
 - c. Connect the cable for the auxiliary Inputs/Outputs/Audio.

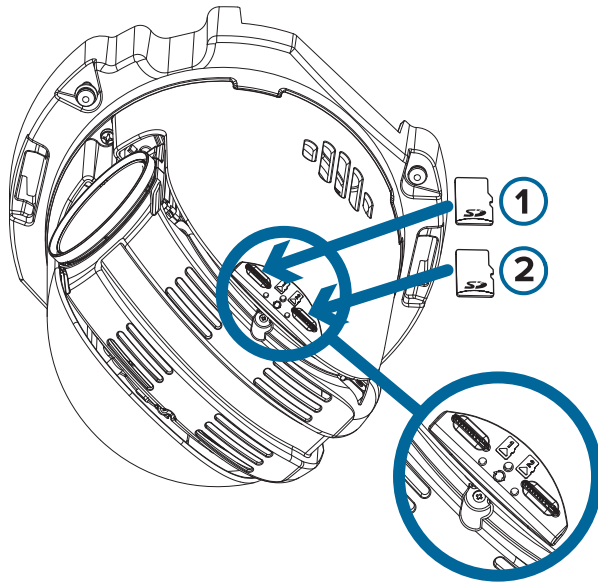


Installing the Dome Drive to the Back Box (Pendant)

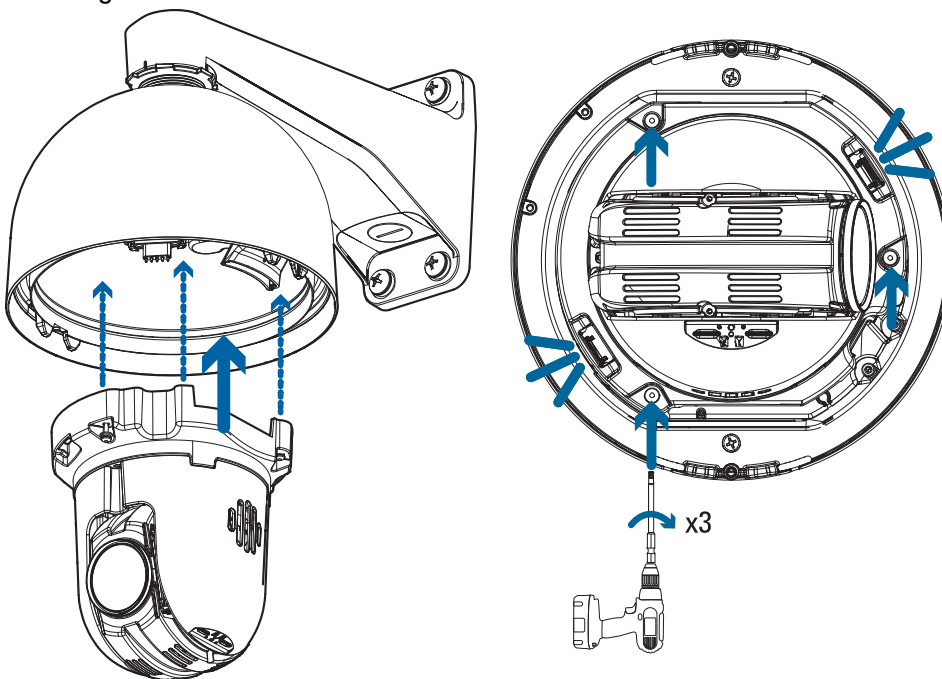
After you install the back box, mount the dome drive to the back box.

1. Insert one or two SD cards in the slots in the dome drive. For more information, see the [\(Optional\) Configuring microSD Card Storage on page 40.](#)

Spectra Enhanced 8 PTZ Camera Cameras Installation Manual



2. Lift the dome drive into the back box. Snap the dome drive into the back box and secure it by fastening the three screws.



Installing the Dome Cover (Pendant)

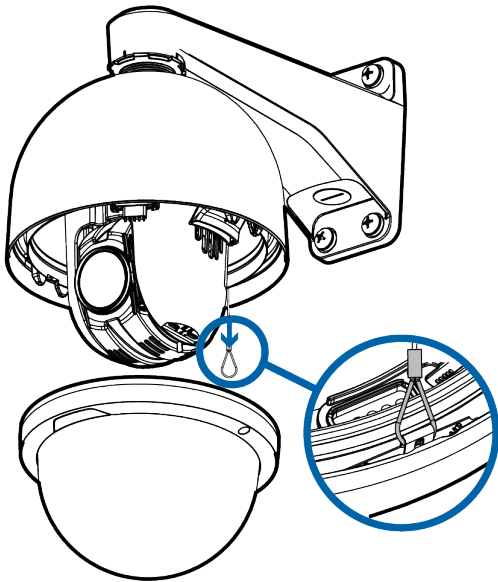


NOTE

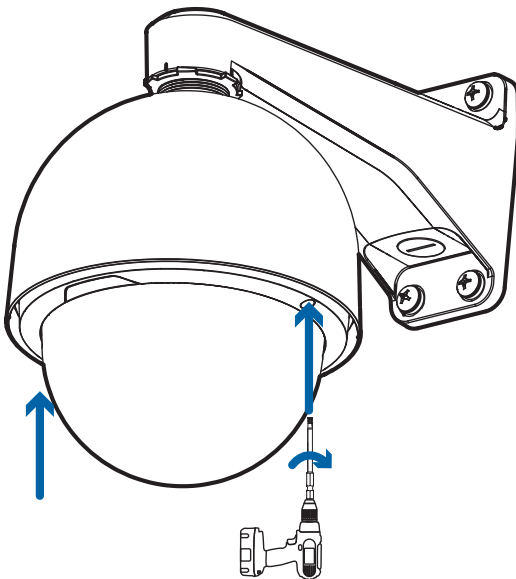
Before installing the dome cover, we recommend that you first connect to the camera. For more information, see:

- [Connecting to the Camera on page 38](#)

1. Attach the lanyard to secure the lower dome. There is a post on the back box that the lanyard is bolted to.



2. Hold the lower dome in place and fasten the two screws to secure it. The lower dome has captive screws, so they will hang from the trim ring, but they will not fall off.



3. Remove the protective cover on the outside of the dome bubble.

Mounting the Dome Camera to a Pipe



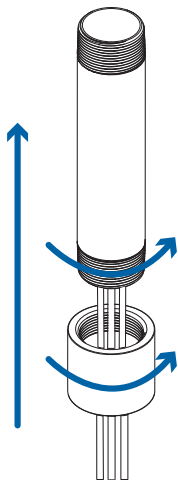
NOTE

This procedure requires a 1-1/2" NPT-female to 1-12" NPT-female pipe adapter. It is recommended that the NPT adapter be mounted to a 1-1/2" conduit pipe.

1. Pull the required cables through the NPT conduit pipe.
2. Apply thread seal tape to the pipe and screw on the 1-1/2" NPT female to NPT female pipe adapter.
3. Screw the lock nut onto the pendant back box.
4. Apply thread seal tape to the NPT adapter and screw it into the pipe adapter.

Make sure the parts are assembled in this order from NPT conduit pipe to pendant back box:

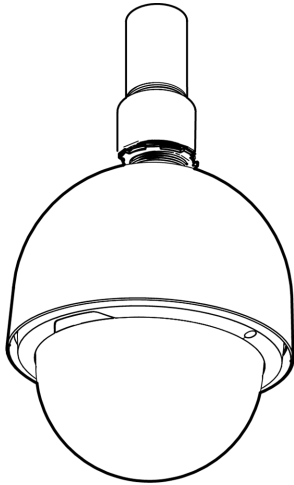
- a. NPT conduit pipe
- b. 1-1/2" NPT female to female pipe adapter
- c. Lock nut
- d. Pendant back box



5. Refer to steps 5-13 in this section for more information: [\(Optional\) Mounting the Dome Camera to the Pendant Wall Mount on page 26.](#)

Spectra Enhanced 8 PTZ Camera Cameras Installation Manual

6. Verify all connections on the Spectra Enhanced 8 PTZ Camera with pipe mount are assembled correctly.



Cable Connections

Connecting to Power and External Devices

The camera may be powered with PoE and/or through the auxiliary power cable using either a 24 VDC or 24 VAC (RMS) auxiliary power source that supports up to 71W or 85VA.

Seamless Failover

Redundant power with seamless failover is available on the PTZ camera. Seamless failover allows the camera to transition between PoE and auxiliary power sources without any interruption of camera operation. This is mainly useful if you want redundant power sources so that power will be available if one power source goes down. The auxiliary power source takes priority in providing power.



NOTE

Seamless failover is only guaranteed when IEEE802.3bt power for outdoor cameras or IEEE803.at power for indoor cameras is available on the PoE port. Auxiliary (Aux) power is always assumed to be sufficient meaning that there is enough power available for all possible camera functions.

To power the camera, use 2-pin plug in connector (supplied with the camera), connect the two power wires to the connector and plug it into camera. The connection can be made with either polarity. 18AWG or heavier wires recommended for most cable runs between the 24VAC/VDC power source and the camera. If a longer cable run is required, a wire gauge table should be consulted to ensure that the voltage at the camera does not drop outside of the specified range when the camera is operating at the maximum rated power draw.

Power supplies and external devices are connected to the camera through the power and I/O wires.



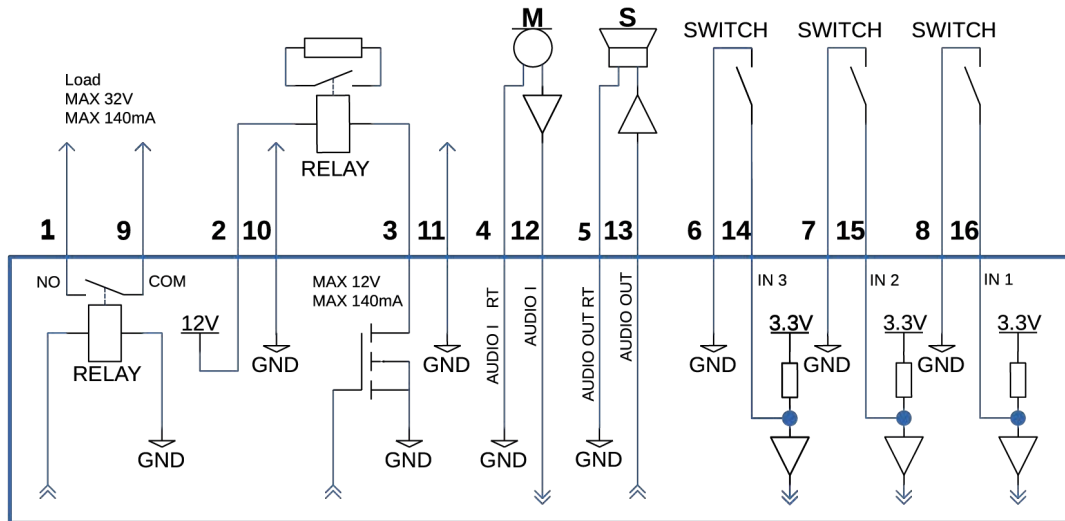
WARNING

This product is intended to be powered by a UL Listed Power Unit marked "Class 2" or "LPS" or "Limited Power Source" with output rated:

- In-Ceiling Mount: 24 VAC \pm 10% 55VA, or 24 VDC \pm 10% 35W, or 25.5 W PoE+ IEEE 802.3 at Type 2, Class 4 compliant.
- Pendant Mount: 24 VAC \pm 10%, 85VA or 24 VDC \pm 10% 70W, or IEEE 802.3at Type 2, Class 4 compliant, or IEEE802.3bt Type 3, Class 6 compliant, or IEEE802.3bt Type 4, Class 8 compliant* (*Using anything less than a Type 4, Class 8 PSE will result in reduced environmental and pan/tilt speed specifications).

External Devices Connection

External devices are connected to the camera through the supplied I/O 16-pin plug in connector. The pinout for the I/O connector is shown in the following diagram.



Description	Plastic Cover Pin-Out
RELAY COM	9
RELAY NO	1
12V OUT RETURN (GND)	10
12V OUT	2
DIGITAL OUT RETURN (GND)	11
DIGITAL OUT	3
AUDIO IN	12
AUDIO IN RETURN (GND)	4
AUDIO OUT	13
AUDIO OUT RETURN (GND)	5
ALARM 3 RETURN (GND)	14
ALARM 3	6
ALARM 2 RETURN (GND)	15
ALARM 2	7

Spectra Enhanced 8 PTZ Camera Cameras Installation Manual

ALARM 1 RETURN (GND)	16
ALARM 1	8

Connecting to the Camera


Initializing a Camera Username and Password



IMPORTANT

You must create a user with *administrator* privileges before the camera is operational.

The new user can be created using the following methods:

- Camera's web interface. Enter the camera's IP address in a web browser to access the web interface. For more information, see the *Pelco Spectra Enhanced 8 PTZ Camera Operations Manual*. If the camera is in the factory default state, you will be redirected to the New User page to create an administrator user:
 1. Enter a new User Name or keep the default administrator name.
 2. Enter a new Password for the user. It is recommended to use a secure and complex password.
 3. Confirm the new password.
 4. For the first user, Administrator must be selected in the Security Group drop-down menu.
 5. Click Apply. After creating the user, you will be asked to login.
- Camera Configuration Tool: discovered cameras that are identified by  will require a first user to be set. Select the **Admin Users** tab to create the first user. For more information, see the *Camera Configuration Tool User Guide*.

Set up the first user through the camera's Web Interface or Camera Configuration Tool before you connect the camera to a VMS.

Assigning an IP Address

The device automatically obtains an IP address when it is connected to a network.



NOTE

If the device cannot obtain an IP address from a DHCP server, it will use Zero Configuration Networking (Zeroconf) to choose an IP address. When set using Zeroconf, the IP address is in the 169.254.0.0/16 subnet.

The IP address settings can be changed using one of the following methods:

Spectra Enhanced 8 PTZ Camera Cameras Installation Manual

- Device's web browser interface: <http://<camera IP address>/>.
- Network Video Management software application.

Accessing the Live Video Stream

Live video stream can be viewed using one of the following methods:

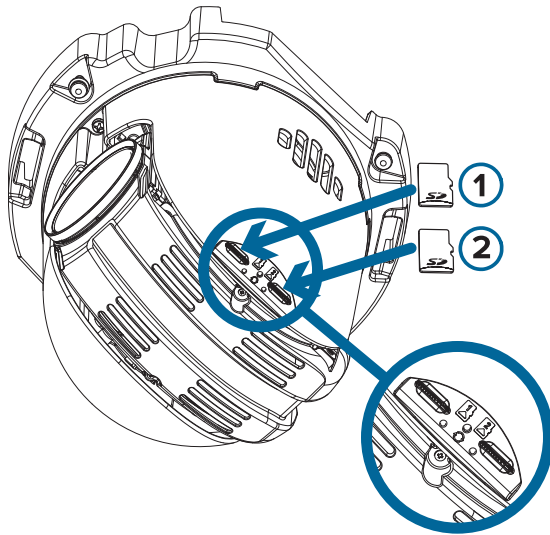
- Web browser interface: <http://< camera IP address>/>.
- Network Video Management software application.

(Optional) Configuring microSD Card Storage

To use the camera's SD card storage feature, you must insert a microSD card into the card slot.

It is recommended that the microSD card have a write speed of class V10 or better. If the microSD card does not meet the recommended write speed, the recording performance may suffer and result in the loss of frames or footage.

1. Insert a microSD card into the camera. Do not force the microSD card into the camera or you may damage the card and the camera.



2. Access the camera's web interface to enable the onboard storage feature. For more information, see the *Pelco Spectra Enhanced 8 PTZ Camera Operations Manual*.

Configuring the Camera

After the camera is installed, configure it using the instructions in the current version of the *Pelco Spectra Enhanced 8 PTZ Camera Operations Manual*.

Focusing the Camera

Ensure this procedure is performed after the dome cover is installed so you can accommodate for the focus shift caused by the dome bubble.

Ensure you adjust the focus for your Spectra Enhanced 8 PTZ Camera camera.

In the camera web browser interface, use the camera's Image and Display settings to focus the camera.

1. Click **Auto Focus** to focus the lens.
2. Use the focus near and far buttons to manually adjust the focus.

Connection Status LED Indicator

Once connected to the network, the green Connection Status LED indicator will display the progress in connecting to the Network Video Management software.

The following table describes what the LED indicator shows:

Connection State	Connection Status LED Indicator	Description
Obtaining IP Address	One short flash every second	Attempting to obtain an IP address.
Discoverable	Two short flashes every second	Obtained an IP address but not connected to the Network Video Management software.
Upgrading Firmware	Two short flashes and one long flash every second	Updating the firmware.
Connected	On	Connected to the Network Video Management software. The default connected setting can be changed to Off using the camera's web user interface. For more information, see the <i>Pelco Spectra Enhanced 8 PTZ Camera Operations Manual</i> .

Troubleshooting Network Connections and LED Behavior



NOTE

For any of the below LED behaviors, ensure that the camera is getting power and is using a good network cable before trying another solution.

LED Behavior	Suggested Solution
Green LED is off and amber is on	Perform a factory reset of the camera using the physical firmware revert button. Resetting through the camera's web interface will not produce the desired result.
Both LEDs are off and the camera is not connected or streaming video	Check the GENERAL setup page in the camera's web interface to ensure the LEDs are not disabled. If the LEDs are not disabled, perform a factory reset of the camera using the physical firmware revert button. Resetting through the camera's web interface will not produce the desired result.
Both LEDs are blinking several times at the same time, then pause and repeat	Perform a factory reset of the camera using the physical firmware revert button. Resetting through the camera's web interface will not produce the desired result.

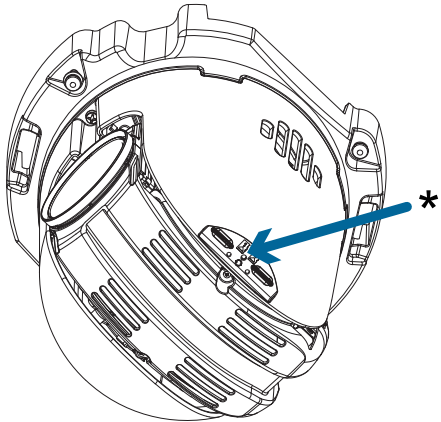
Spectra Enhanced 8 PTZ Camera Cameras Installation Manual

LED Behavior	Suggested Solution
the blinking	interface will not produce the desired result.
A different LED blinking pattern than those described above	Perform a factory reset of the camera using the physical firmware revert button. Resetting through the camera's web interface will not produce the desired result.

Resetting to Factory Default Settings

If the device no longer functions as expected, you can choose to reset the device to its factory default settings.

Use the firmware revert button to reset the device. The firmware revert button is shown in the following diagram:



1. Ensure the device is powered on.
2. Using a straightened paperclip or similar tool, gently press and hold the firmware revert button.
3. Release the button after three seconds.



CAUTION

Do not apply excessive force. Inserting the tool too far may damage the camera.

Cleaning

Dome Bubble

If the video image becomes blurry or smudged in areas, it may be because the dome bubble requires cleaning.

To clean the dome bubble:

- Use hand soap or a non-abrasive detergent to wash off dirt or fingerprints.
- Use a microfiber cloth or non-abrasive fabric to dry the dome bubble.



IMPORTANT

Failure to use the recommended cleaning materials may result in a damaged or scratched dome bubble. A damaged dome bubble may negatively impact image quality and cause unwanted IR light reflecting into the lens.

Body

- Use a dry or lightly dampened cloth to clean the camera body.
- Do not use strong or abrasive detergents.

For More Information

Additional information about setting up and using the device is available in the following guides:

- *Pelco Spectra Enhanced 8 PTZ Camera Operations Manual* available on the Pelco website: www.pelco.com.
- *Camera Configuration Tool User Guide*

Limited Warranty and Technical Support

Pelco warranty terms for this product are provided at pelco.com/warranty.

Warranty service and technical support can be obtained by contacting Pelco Technical Support: pelco.com/contact.

Pelco Troubleshooting Contact Information

For further assistance, contact Pelco Product Support at 1-800-289-9100 (USA and Canada) or +1-559-292-1981 (international).

Do not try to repair the unit yourself. Leave maintenance and repairs to qualified technical personnel only.

